

1520nm~1540nm 1W Laser Diodes TO5 9mm Package
1530nm 1W High Power Multi-mode LD | Infrared Laser Diode

WSLD-1530-001-2

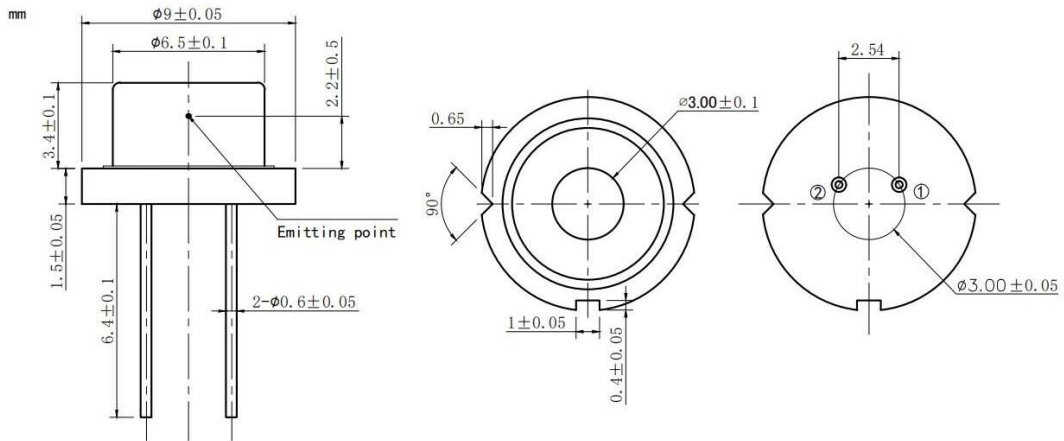
Wavespectrum laser Group

en.wavespectrum-laser.com.cn

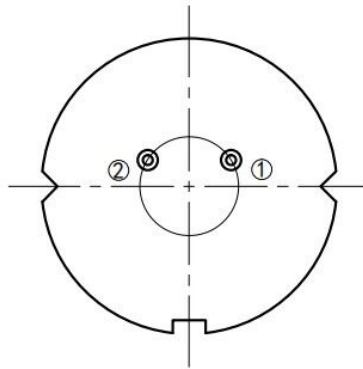
| 1530nm Laser Diode | | 1W/TO5 | | en.wavespectrum-laser.com.cn | |
|--|-----------|--|--------------|------------------------------|--|
| Reverse Voltage | V_r | 2.0 | | V | |
| Operating Temperature | T_{op} | 0~+30 | | °C | |
| Storage Temperature | T_{stg} | -40~+85 | | °C | |
| Lead soldering temperature (10 sec.) | T_{is} | 260 | | °C | |
| Features: 1530nm ● 1W Output Power ● TO5 Package ● FAC Optional | |  | | | |
| Applications: ● Medical Laser Treatment ● Night Vision ● Others | | | | | |
| Specifications | | WSLD-1530-001-2 | | | |
| | | Min | Type | Max | |
| Center Wavelength@25°C | | 1530nm±40nm | | | |
| Spectral Width (FWHM) | | ---- | 8nm | ---- | |
| Output Power | | 800mW | 1W | ---- | |
| Recommend Operating Temperature | | 25°C | | | |
| Beam Divergence (FWHM) | | ---- | 32°± x 10°// | ---- | |
| Temperature Coefficient of Wavelength | | ---- | 0.7nm / °C | ---- | |
| Slope Efficiency | | ---- | 0.4W/A | ---- | |
| Threshold Current (Typ.) | | ---- | 0.7A | ---- | |
| Operating Current (Typ.) | | ---- | 3.1A | ---- | |
| Operating Voltage | | ---- | 1.8V | ---- | |
| Package Style | | TO5 | | | |
| Emitter Size | | 100um x 1um | | | |



T05(9mm) Package View



PIN Bottom View:



| | |
|---|-------|
| 1 | LD(+) |
| 2 | LD(-) |

Electrically shorten LD module and store in non-extreme conditions.
 Suggest using the constant current power supply.



Wavespectrum Laser Group
www.wavespectrum-laser.com
sales@wavespectrum-laser.com

