

## 1450nm~1470nm 1W Laser Diodes TO5 9mm Package

### 1470nm 1W High Power Multi-mode LD | Infrared Laser Diode

WSLD-1470-001-2

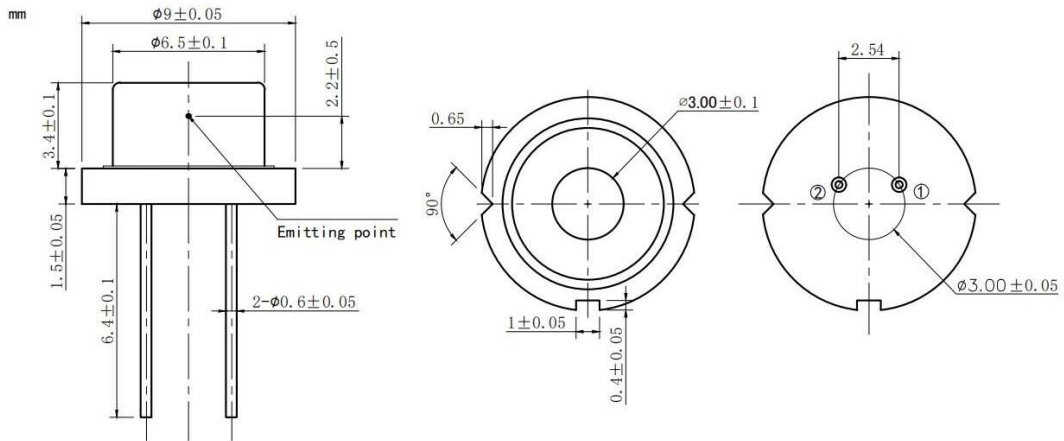
Wavespectrum Laser Group

en.wavespectrum-laser.com.cn

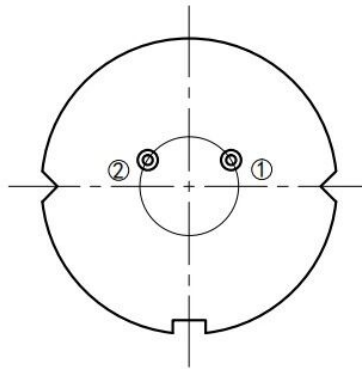
1470nm Laser Diode	1W/TO5	Wavespectrum Laser Group	
Reverse Voltage	$V_r$	2.0	V
Operating Temperature	$T_{op}$	+10~+30	°C
Storage Temperature	$T_{stg}$	-20 ~+80	°C
Lead soldering temperature (10 sec.)	$T_{is}$	260	°C
<b>Features:</b> 1470nm 1W Output Power TO5 Package FAC Optional			
<b>Applications:</b> Medical Laser Treatment Night Vision Others			
<b>Specifications</b>	<b>WSLD-1470-001-2</b>		
	Min	Type	Max
Center Wavelength@25°C	1460nm±40nm		
Spectral Width (FWHM)	----	8nm	----
Output Power	----	1W	----
Recommend Operating Temperature	25°C		
Beam Divergence (FWHM)	----	32°± x 10°//	----
Temperature Coefficient of Wavelength	----	0.7nm / °C	----
Slope Efficiency	----	0.4W/A	----
Threshold Current (Typ.)	----	0.5A	----
Operating Current (Typ.)	----	3.0A	----
Operating Voltage	----	1.9V	----
Package Style	TO5		
Emitter Size	100um x 1um		



### T05(9mm) Package View



### PIN Bottom View:



1	LD(+)
2	LD(-)

Electrically shorten LD module and store in non-extreme conditions.  
 Suggest using the constant current power supply.

