

1060nm~1064nm 2W Laser Diode 9mm TO5 Package | High Power Infrared Laser Diode | FAC Optional

1064nm TO5 Package |2W | TO9 LD | Without PD | With FAC Lens Optional

WSLD-1064-002-2

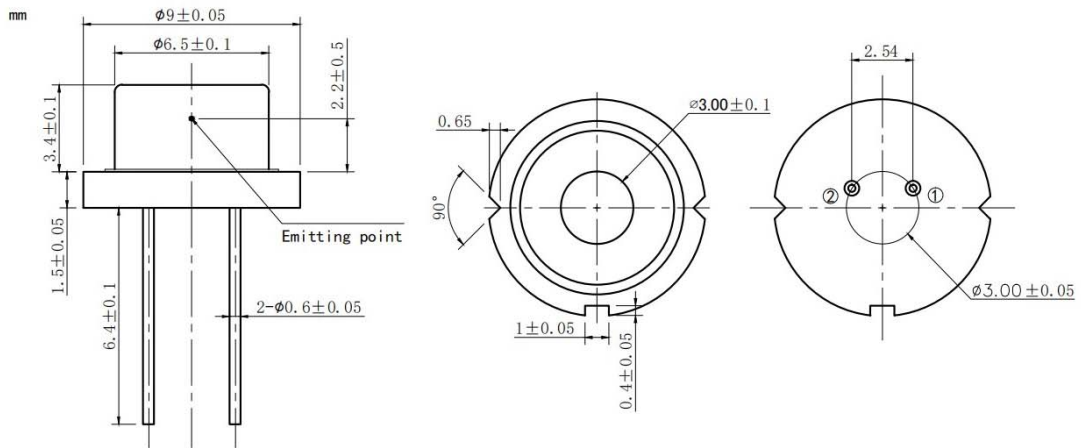
Wavespectrum Laser Group.

www.wavespectrum-laser.com

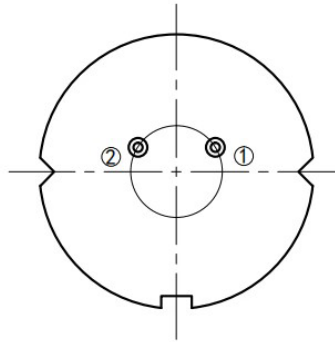
1064nm Laser Diode		2W/TO5		Wavespectrum Laser Group.	
PARAMETER	SYMBOL	VALUE		UNIT	
Reverse Voltage	$V_r$	2.0		V	
Operating Temperature	$T_{op}$	-10~+40		°C	
Storage Temperature	$T_{stg}$	-40~+85		°C	
Lead soldering temperature (10 sec.)	$T_{is}$	260		°C	
<b>Features:</b> <ul style="list-style-type: none"> <li>1064nm</li> <li>2W</li> <li>TO5 Package</li> <li>With FAC Lens Optional</li> </ul>					
<b>Applications:</b> <ul style="list-style-type: none"> <li>Medical Laser Treatment</li> <li>Laser Show</li> <li>Others</li> </ul>					
<b>Specifications</b>		<b>WSLD-1064-002-2</b>			
		Min	Type	Max	
Center Wavelength@25°C		1064nm±20nm			
Spectral Width (FWHM)		----	3.0nm	----	
Output Power		1.5W	2.0W	----	
Recommended Operating Temperature		25°C			
Beam Divergence (FWHM)		----	35°± x 8°//	----	
Slope Efficiency		----	0.8W/A	----	
Threshold Current (Typ.)		----	0.5A	----	
Operating Current (Typ.)		----	3.0A	----	
Operating Voltage		----	1.8V	----	
Package Style		TO5			



**T05(9mm) Package View:**



**PIN Bottom View:**



1	LD(+)
2	LD(-)

Electrically shorten LD module and store in non-extreme conditions.  
Suggest using the constant current power supply.

