

**976nm~980nm 2W Laser Diodes TO5 9mm Package**

**980nm 2W High Power Multi-mode LD | Infrared Laser Diode**

WSLD-980-002-2

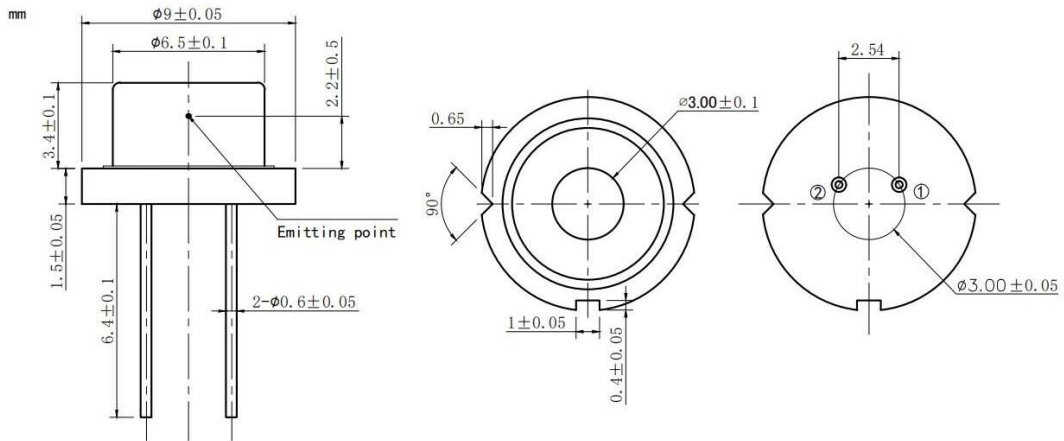
Wavespectrum laser Group

www.wavespectrum-laser.com

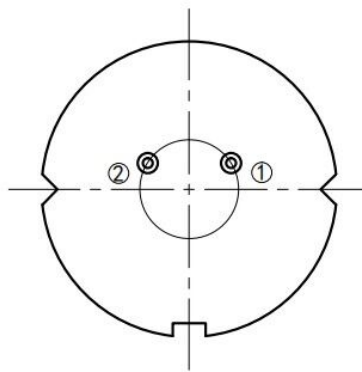
980nm Laser Diode		2W/TO5		en.wavespectrum-laser.com.cn	
Reverse Voltage	$V_r$	2.0		V	
Operating Temperature	$T_{op}$	0~+40		°C	
Storage Temperature	$T_{stg}$	-40~+85		°C	
Lead soldering temperature (10 sec.)	$T_{is}$	260		°C	
<b>Features:</b> <ul style="list-style-type: none"> <li>980nm</li> <li>2W Power</li> <li>TO5 Package</li> <li>FAC Optional</li> </ul>					
<b>Applications:</b> <ul style="list-style-type: none"> <li>Medical Laser Treatment</li> <li>Night Vision</li> <li>Others</li> </ul>					
<b>Specifications</b>		<b>WSLD-980-002-2</b>			
		Min	Type	Max	
Center Wavelength@25°C		976nm±20nm			
Spectral Width (FWHM)		----	3.0nm	----	
Output Power		1.8W	2W	----	
Recommend Operating Temperature		25°C			
Beam Divergence (FWHM)		----	30°± x 8°//	----	
Temperature Coefficient of Wavelength		----	0.3nm / °C	----	
Slope Efficiency		----	1.1W/A	----	
Threshold Current (Typ.)		----	0.4A	----	
Operating Current (Typ.)		----	2.2A	----	
Operating Voltage		----	2.0V	----	
Package Style		TO5			
Emitter Size		100um x 1um			



### T05(9mm) Package View



### PIN Bottom View:



1	LD(+)
2	LD(-)

Electrically shorten LD module and store in non-extreme conditions.  
 Suggest using the constant current power supply.



Wavespectrum Laser Group  
[www.wavespectrum-laser.com](http://www.wavespectrum-laser.com)  
[sales@wavespectrum-laser.com](mailto:sales@wavespectrum-laser.com)

