

940nm~950nm 2W Laser Diodes TO5 9mm Package
940nm 2W High Power Multi-mode LD | Infrared Laser Diode

WSLD-940-002-2

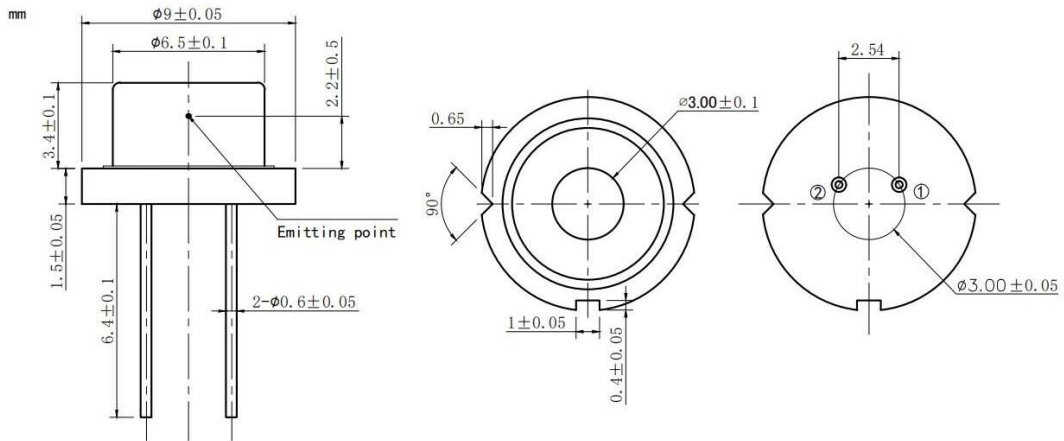
Wavespectrum laser Group

www.wavespectrum-laser.com

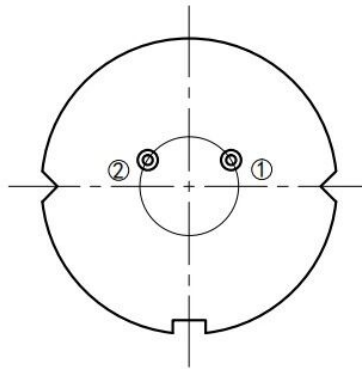
940nm Laser Diode		2W/TO5		en.wavespectrum-laser.com.cn	
Reverse Voltage	V_r	2.0		V	
Operating Temperature	T_{op}	0~+40		°C	
Storage Temperature	T_{stg}	-40~+85		°C	
Lead soldering temperature (10 sec.)	T_{is}	260		°C	
Features: <ul style="list-style-type: none"> ● 940nm ● 2W Power ● TO5 Package ● FAC Optional 					
Applications: <ul style="list-style-type: none"> ● Medical Laser Treatment ● Night Vision ● Others 					
Specifications		WSLD-940-002-2			
		Min	Type	Max	
Center Wavelength@25°C		940nm±20nm			
Spectral Width (FWHM)		----	3.0nm	----	
Output Power		----	2W	----	
Recommend Operating Temperature		25°C			
Beam Divergence (FWHM)		----	32°± x 8°//	----	
Temperature Coefficient of Wavelength		----	0.3nm / °C	----	
Slope Efficiency		----	1.0W/A	----	
Threshold Current (Typ.)		----	0.9A	----	
Operating Current (Typ.)		----	3.0A	----	
Operating Voltage		----	2.2V	----	
Package Style		TO5			
Emitter Size		200um x 1um			



TO5(9mm) Package View



PIN Bottom View:



1	LD(+)
2	LD(-)

Electrically shorten LD module and store in non-extreme conditions.
 Suggest using the constant current power supply.

