

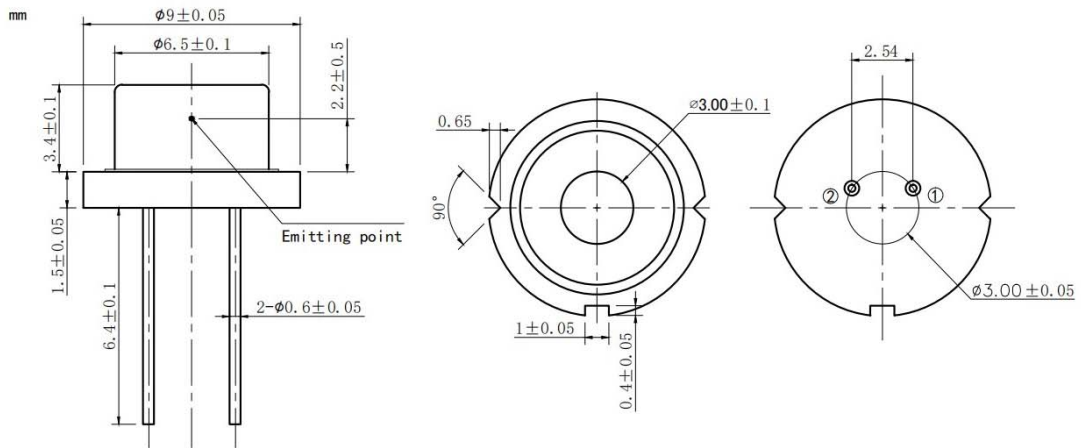
660nm~670nm 1.5W Laser Diode 9mm TO5 Package | High power Red Laser Diode | Square Beam Optional
 660nm TO5 Package |1.5W | Red LD | Without PD | With FAC Lens Optional
 WSLD-660-1500m-2 Wavespectrum Laser Group. www.wavespectrum-laser.com

en.wavespectrum-laser.com.cn

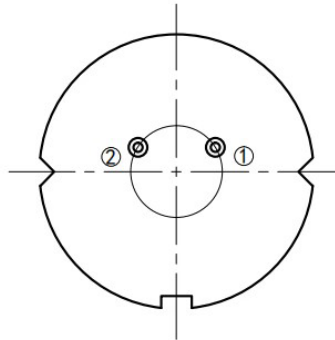
660nm Laser Diode		1.5W/TO5		
PARAMETER	SYMBOL	VALUE	UNIT	
Reverse Voltage	V_r	2.0	V	
Operating Temperature	T_{op}	-10~+40	°C	
Storage Temperature	T_{stg}	-40~+85	°C	
Lead soldering temperature (10 sec.)	T_{is}	260	°C	
Features: 660nm 1.5W TO5 Package With FAC Lens Optional				
Applications: Medical Laser Treatment Laser Show Others				
Specifications		WSLD-660-1500m-2		
		Min	Type	Max
Center Wavelength@25°C		650nm	660nm	670nm
Spectral Width (FWHM)		----	2.0nm	----
Output Power		----	1.5W	----
Recommended Operating Temperature		25°C		
Beam Divergence (FWHM)		----	35°± x 8°//	----
Slope Efficiency		----	1.1W/A	----
Threshold Current (Typ.)		----	0.5A	----
Operating Current (Typ.)		----	1.9A	----
Operating Voltage		----	2.5V	----
Package Style		TO5		



T05(9mm) Package View:



PIN Bottom View:



1	LD(+)
2	LD(-)

Electrically shorten LD module and store in non-extreme conditions.
Suggest using the constant current power supply.

