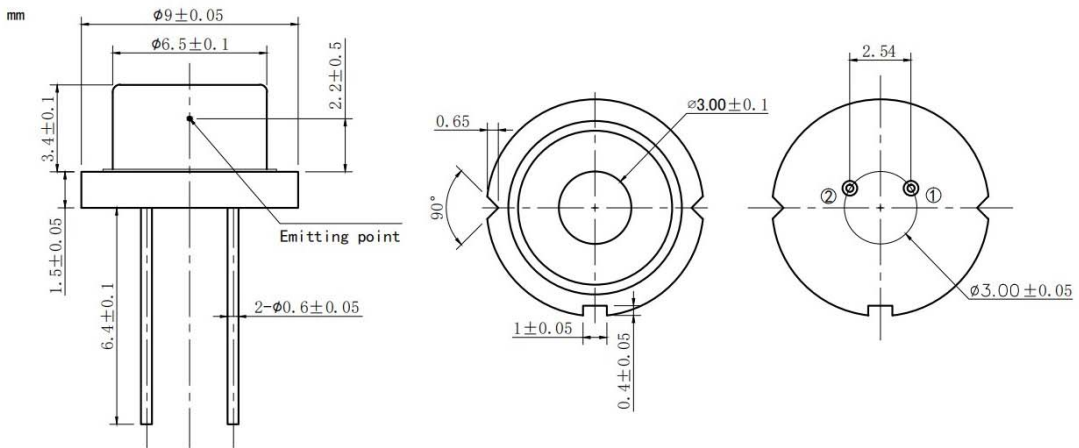
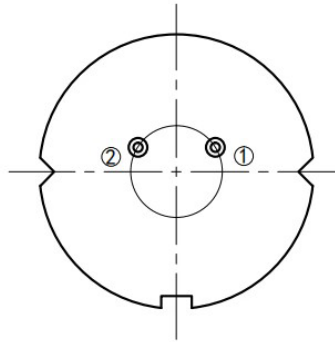


660nm~670nm 1W Laser Diode 9mm TO5 Package | High power Red Laser Diode | Square Beam Optional
 660nm TO5 Package |1W | Red LD | Without PD | With FAC Lens Optional
 WSLD-660-001-2 Wavespectrum Laser Group. www.wavespectrum-laser.com

660nm Laser Diode		1W/TO5		Wavespectrum Laser Group.	
PARAMETER	SYMBOL	VALUE	UNIT		
Reverse Voltage	V_r	2.0	V		
Operating Temperature	T_{op}	-10~+40	°C		
Storage Temperature	T_{stg}	-40~+85	°C		
Lead soldering temperature (10 sec.)	T_{is}	260	°C		
Features: <ul style="list-style-type: none"> 660nm 1W TO5 Package With FAC Lens Optional 					
Applications: <ul style="list-style-type: none"> Medical Laser Treatment Laser Show Others 					
Specifications		WSLD-660-001-2			
		Min	Type	Max	
Center Wavelength@25°C		650nm	660nm	670nm	
Spectral Width (FWHM)		----	2.0nm	----	
Output Power		----	1.0W	----	
Recommended Operating Temperature		25°C			
Beam Divergence (FWHM)		----	35° _⊥ x 8° _{//}	----	
Slope Efficiency		----	1.1W/A	----	
Threshold Current (Typ.)		----	0.5A	----	
Operating Current (Typ.)		----	1.5A	----	
Operating Voltage		----	2.4V	----	
Package Style		TO5			



TO5(9mm) Package View:

PIN Bottom View:


1	LD(+)
2	LD(-)

Electrically shorten LD module and store in non-extreme conditions.
 Suggest using the constant current power supply.

