
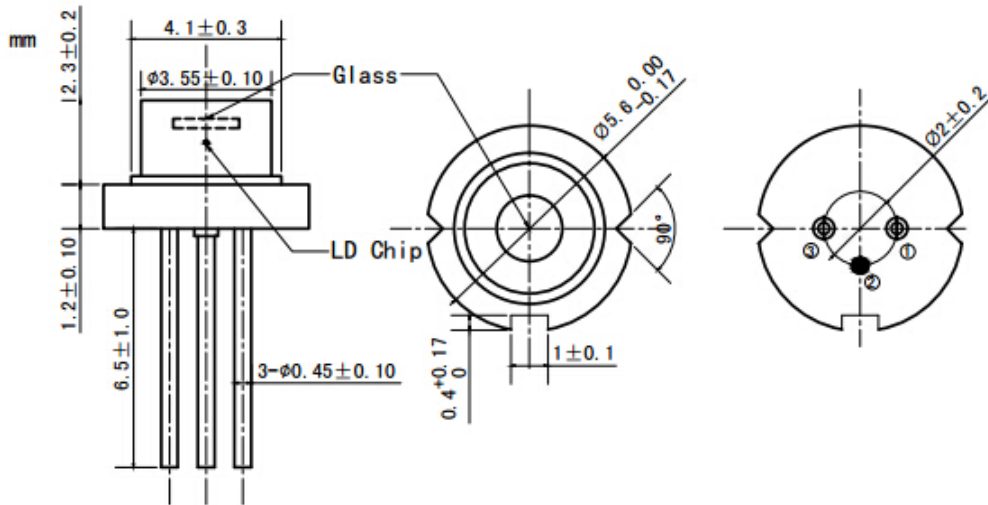


405nm 800mW Multi-mode Laser Diode| High Power Violet LD
405nm~410nm LD| 800mW Output Power|5.6 mm Package | Violet LD | Multimode Laser Diode
WSLD-405-800m-1
Wavespectrum Laser Group
www.wavespectrum-laser.com

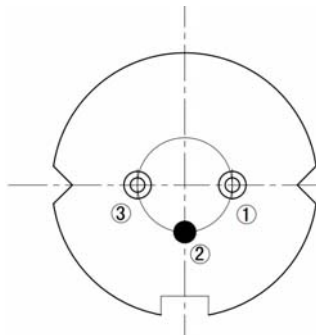
405nm Laser Diode		800mW/TO18		Wavespectrum Laser Group	
PARAMETER	SYMBOL	VALUE		UNIT	
Reverse Voltage	V_r	2.0		V	
Operating Temperature	T_{op}	0~ +40		°C	
Storage Temperature	T_{stg}	-40~ +85		°C	
Lead soldering temperature (10 sec.)	T_{is}	260		°C	
Features: <ul style="list-style-type: none"> 405nm High Output Power TO18 Package Multimode Laser Diode 					
Applications: <ul style="list-style-type: none"> Medical Laser Treatment Printing Others 					
Specifications		WSLD-405-800m-1			
		Min	Type	Max	
Center Wavelength@25°C		405nm±10nm			
Spectral Width (FWHM)		2.0nm			
Output Power (CW)		----	800mW	----	
Beam Divergence (FWHM)		----	40° _⊥ x 16° _{//}	45° _⊥ x 22° _{//}	
Threshold Current (Typ.)		----	120mA	180mA	
Operating Current (Typ.)		----	450mA	500mA	
Operating Voltage		----	5.0V	6.0V	
Slope Efficiency		----	2.4mW/mA	----	
Recommended Operating Temperature		25 °C			
Package Style		TO18			



Package View



PIN Bottom View:



1	LD(+)
2	Case
3	LD(-)

Electrically shorten LD module and store in non-extreme conditions.

Suggest using the constant current power supply.

