


**730nm 15mW~20mW Single Mode Coaxial Pigtailed Laser Diode with SMF | Built-in PD**

**730nm 15mW SM Fiber Coupled LD with Single Mode Fiber (SM Fiber) |4um SMF | With Photodiode**

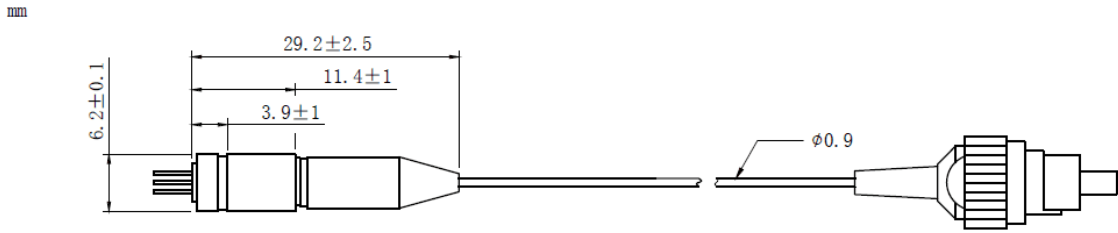
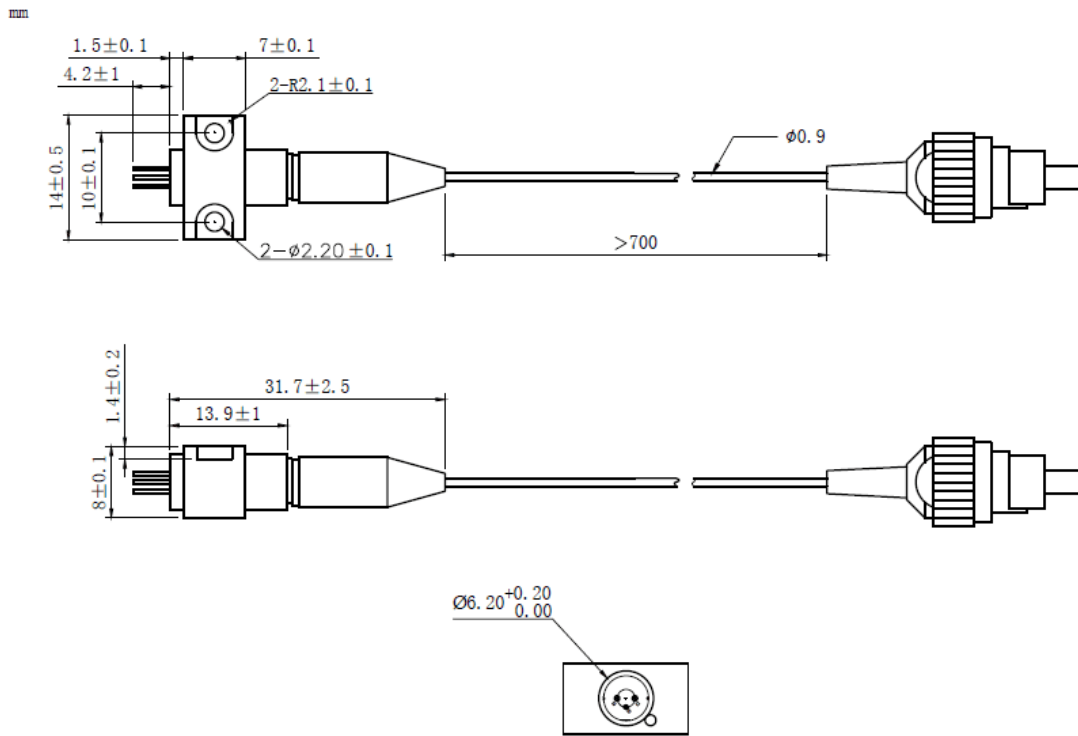
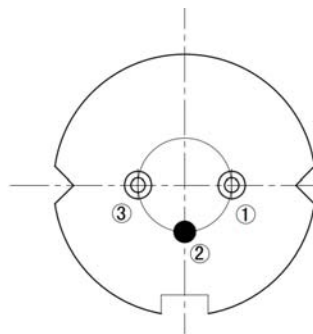
**WSLP-730-015m-4-PD**

**Wavespectrum Laser Group**

**www.wavespectrum-laser.com**

730nm Pigtailed Diode Laser		15mW/SM Fiber		Wavespectrum Laser Group	
PARAMETER	SYMBOL	VALUE		UNIT	
Reverse Voltage	$V_r$	2.0		V	
Operating Temperature	$T_{op}$	-10~+60		°C	
Storage Temperature	$T_{stg}$	-40~+85		°C	
Lead soldering temperature (10 sec.)	$T_{is}$	260		°C	
<b>Features:</b> <ul style="list-style-type: none"> <li>🔸 730nm</li> <li>🔸 With SM Fiber</li> <li>🔸 Coaxial or B82 Package</li> <li>🔸 Built-in PD</li> </ul>					
<b>Applications:</b> <ul style="list-style-type: none"> <li>🔸 Medical Laser Treatment</li> <li>🔸 Others</li> </ul>					
<b>Specifications</b>	<b>WSLP-730-015m-4-PD</b>				
	Min	Type	Max		
Center Wavelength@25°C	730nm±10nm				
Recommended Operating Temperature	25°C				
Output Power	----	15mW	----		
Fiber Type	Single Mode Fiber				
Fiber Core	4um				
Monitor Current	----	0.3mA	----		
PD Reverse Voltage	----	----	30V		
Fiber Connector	FC/SC/SMA905				
Fiber Length	>80cm				
Threshold Current (Typ.)	----	30mA	60mA		
Operating Current (Typ.)	----	80mA	100mA		
Operating Voltage	----	2.5V	3.0V		
Package Style	Coaxial or B82				
Photodiodes	Built-in				



**Coaxial Package View: (Part Number: WSLP-730-015m-4-PD)**

**B82 Package View: (Part Number: WSLP-730-015m-4-B-PD)**

**PIN Bottom View:**


1	LD(-)
2	LD(+)& PD(-)
3	PD(+)



Electrically shorten LD module and store in non-extreme conditions.  
Suggest using the constant current power supply.

