


488nm~490nm 80mW Single Mode Laser Diode| High Power Sky Blue LD | TO18 Package

485nm~488nm~492nm LD| 80mW Power|5.6mm Package Blue SM Diode Laser

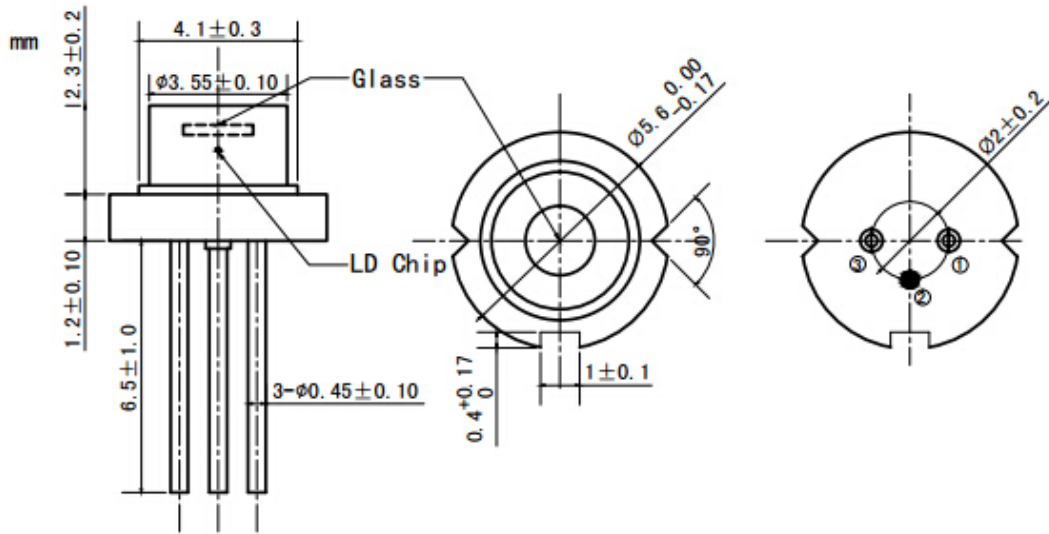
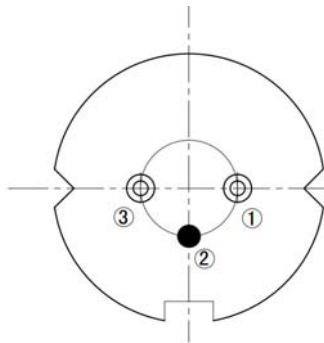
WSLD-488-080m-1

Wavespectrum Laser Group.

www.wavespectrum-laser.com

488nm Laser Diode		80mW/TO18		Wavespectrum Laser Group	
PARAMETER	SYMBOL	VALUE		UNIT	
Reverse Voltage	V_r	2.0		V	
Operating Temperature	T_{op}	-10~+60		°C	
Storage Temperature	T_{stg}	-40~+85		°C	
Lead soldering temperature (10 sec.)	T_{is}	260		°C	
Features: <ul style="list-style-type: none"> 488nm 80mW TO18 Package 					
Applications: <ul style="list-style-type: none"> Medical Laser Treatment Laser Indicator Laser Detector 					
Specifications		WSLD-488-080m-1			
		Min	Type	Max	
Center Wavelength@25°C		488nm±10nm			
Spectral Width (FWHM)		2.0nm			
Output Power		----	80mW	----	
Laser Mode		Single Mode			
Beam Divergence (FWHM)		----	24°± x 8°//	26°± x 12°//	
Threshold Current (Typ.)		----	30mA	65mA	
Operating Current (Typ.)		----	130mA	150mA	
Operating Voltage		----	6.5V	8.0V	
Recommended Operating Temperature		25°C			
Package Style		TO18			



PIN Bottom View:

PIN Bottom View:


1	LD(+)
2	GND
3	LD(-)

Electrically shorten LD module and store in non-extreme conditions.

Suggest using the constant current power supply.

