
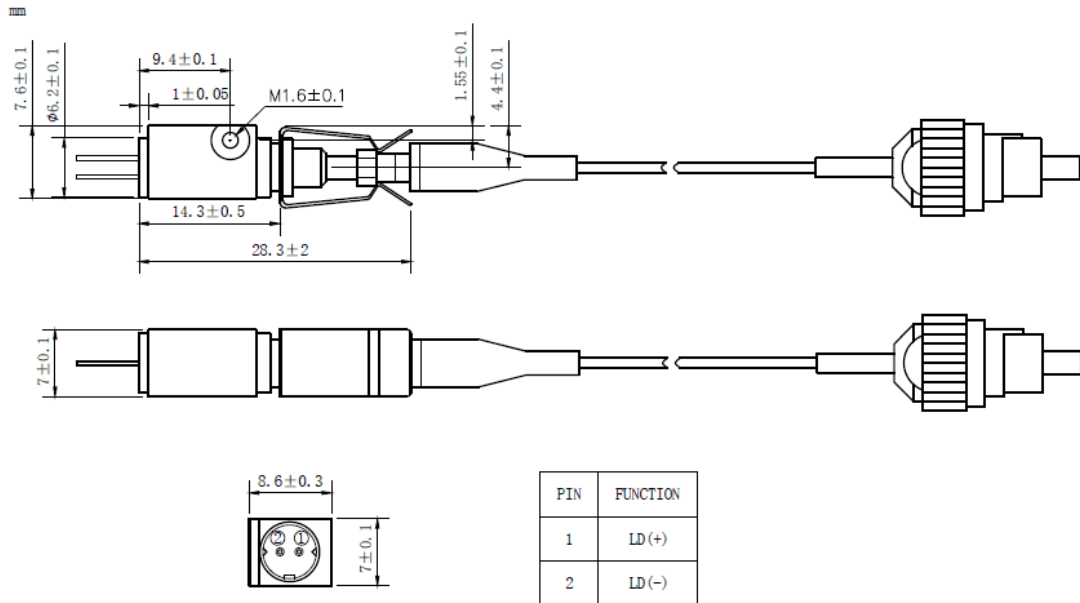


405nm 450mW~500mW Fiber Coupled Diode Laser with MM Fiber | 105um UV Fiber
405nm 450mW Multi-mode Pigtailed Laser Diode Module | Coaxial Package | Violet LD Module
 WSLP-405-450m-M Wavespectrum Laser Group www.wavespectrum-laser.com

405nm Pigtailed Diode Laser		450mW/MM Fiber		en.wavespectrum-laser.com.cn	
PARAMETER	SYMBOL	VALUE		UNIT	
Reverse Voltage	V_r	2.0		V	
Operating Temperature	T_{op}	0~ +30		°C	
Storage Temperature	T_{stg}	-40 ~ +85		°C	
Lead soldering temperature (10 sec.)	T_{is}	260		°C	
Features: <ul style="list-style-type: none"> ● 405nm ● CW Mode ● Coaxial Package ● Fiber Receptacle Optional 					
Applications: <ul style="list-style-type: none"> ● Medical Laser Treatment ● Printing ● Others 					
Specifications	WSLP-405-450m-M				
	Min	Type	Max		
Center Wavelength@25°C	±5nm	405nm	±10nm		
Spectral Width (FWHM)	----	2.0nm	----		
Output Power	----	450mW	----		
Recommended Operating Temperature	25°C				
Fiber Type	UV Multi-mode Fiber				
Fiber Core	105um				
Threshold Current (Typ.)	----	120mA	200mA		
Operating Current (Typ.)	----	420mA	450mA		
Operating Voltage	----	4.5V	5.5V		
Fiber Length	>80cm				
Fiber Connector	FC/SC/SMA905				
Package Style	Coaxial				



Package View:



Electrically shorten LD module and store in non-extreme conditions.

Suggest using the constant current power supply.

