
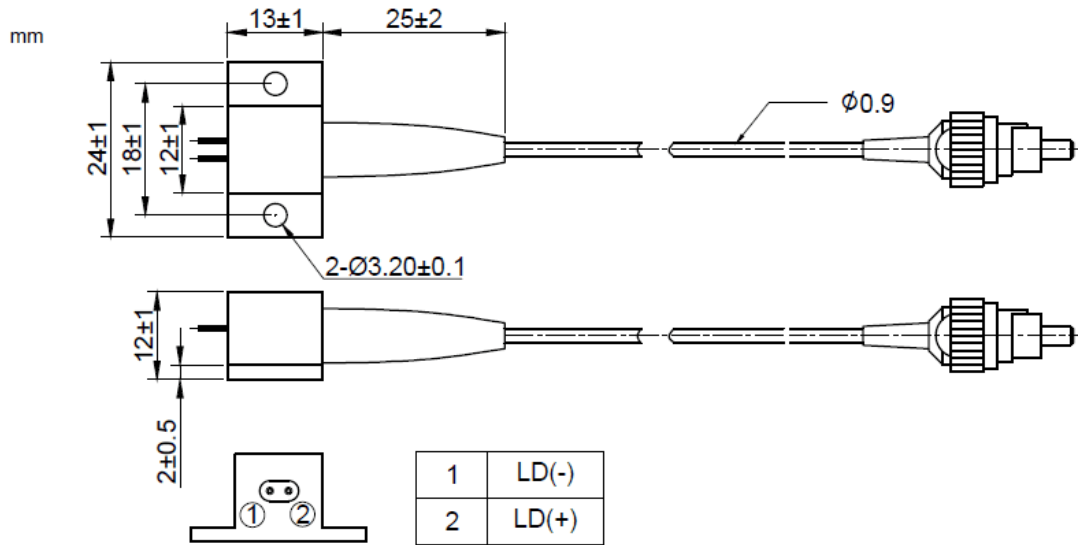
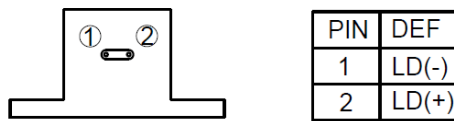


455nm 3W 50um Fiber Coupled Diode Laser Module| TEC Cooling Optional | Blue Laser Diode
450nm~455nm 3W~3.5W Pigtailed Laser Diode| 50um, 105um, 200um, 400um MM Fiber
 WSLP-455-003-50M Wavespectrum Laser Group www.wavespectrum-laser.com

455nm Pigtailed Diode Laser		3W/MM Fiber		en.wavespectrum-laser.com.cn
PARAMETER	SYMBOL	VALUE		UNIT
MAX Reverse Current	I_r	80		mA
Operating Temperature	T_{op}	0~+60		°C
Storage Temperature	T_{stg}	-40~+85		°C
Lead soldering temperature (10 sec.)	T_{is}	260		°C
Features: <ul style="list-style-type: none"> ● 455nm ● B7 Package ● TEC Cooling Optional ● Photodiodes Optional 				
Applications: <ul style="list-style-type: none"> ● Medical Laser Treatment ● Laser Show ● Others 				
Specifications	WSLP-455-003-50M			
	Min	Type	Max	
Center Wavelength@25°C	455nm±10nm			
Spectral Width (FWHM)	----	3.0nm	----	
Output Power	----	3W	----	
Fiber Core	50um			
Numerical aperture	0.22			
Recommended Operating Temperature	25°C			
Fiber Connector	FC/ST/SMA905			
Fiber Length	>80cm			
Threshold Current (Typ.)	----	0.2A	0.6A	
Operating Current (Typ.)	----	3.2A	3.5A	
Operating Voltage	----	4.5V	5.5V	
Package Style	B7			
Built-in Photodiode	Optional			
Built-in TEC Cooling	Optional			



B7 Package View:

PIN Bottom View:


Electrically shorten LD module and store in non-extreme conditions.
 Suggest using the constant current power supply.

