

1910nm~1920nm 400mW Fiber Coupled Laser Diode Module | Built-in TEC Cooler |9-Pin HHL Package

1920nm~1940nm 0.4W|9-PIN Package| 105um 200um 400um Fiber Core| High Power LD | Without PD

WSLX-1920-400m-M-H9-T

Wavespectrum Laser Group

www.wavespectrum-laser.com

PARAMETER	SYMBOL	VALUE	UNIT
Reverse Voltage	V_r	2.0	V
Operating Temperature	T_{op}	+10 ~ +30	°C
Storage Temperature	T_{stg}	-20 ~ +80	°C
Lead soldering temperature (10 sec.)	T_{is}	260	°C

Features:

- 1920nm
- Multimode Fiber
- 9-Pin Package
- Built-in TEC Cooler
- Without PD

Applications:

- Medical Laser Treatment
- Others



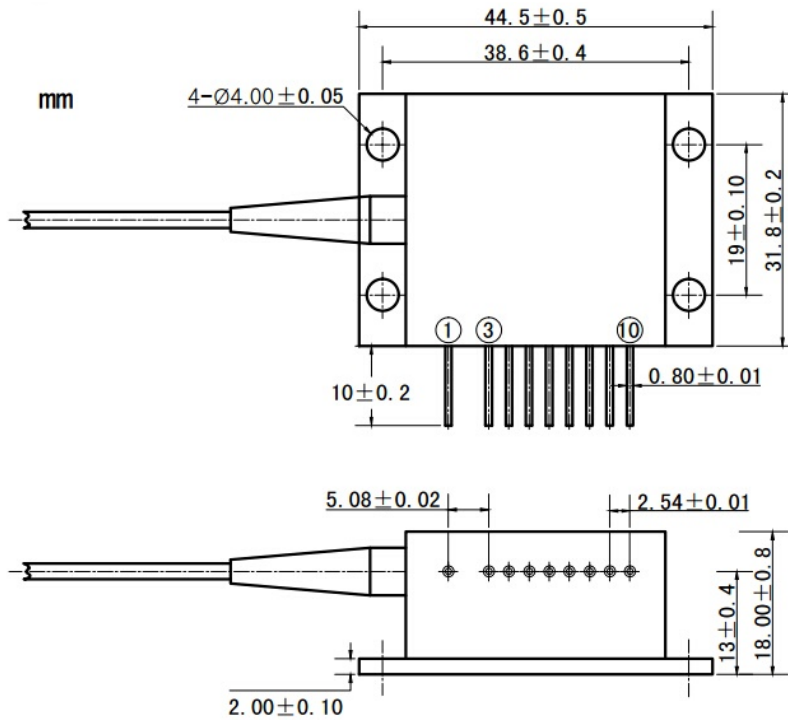
Specifications

WSLX-1920-400m-M-H9-T

	Min.	Type	Max.
Center Wavelength@25°C	1920nm ± 30nm		
Spectral Width (FWHM)	-----	-----	20nm
Output Power	-----	400mW	-----
Temperature Coefficient of Wavelength		0.75nm / °C	
Threshold Current (Typ.)	-----	0.6A	0.9A
Operating Current (Typ.)	-----	5.2A	5.5A
Operating Voltage	-----	1.3V	1.6V
Recommended Case Temperature	25°C		
TEC Max. Current	6A		
TEC Max. Voltage	9.8V		
Thermistor	10K		
Fiber Core Diameter	105um (200um 400um Optional)		
Fiber Length	>80cm		
Connector Type	SMA905/ST/FC		
Package Style	9-Pin		

Wavespectrum Laser Group
 www.wavespectrum-laser.com
 sales@wavespectrum-laser.com



9-Pin Package View:


PIN	FUNCTION
1	TEC (-)
2	-
3	CASE
4	LD (+)
5	THERM
6	THERM
7	LD (-)
8	-
9	-
10	TEC (+)

Wavespectrum offer Customized 1920nm Fiber Coupled LD.

- Customized Output Power
- Customized Fiber Core
- Dual-Wavelength or Tri-Wavelength Module Optional (such as 1W@1920nm+350mw@635nm)

Contact us with info@wavespectrum-laser.com

Electrically shorten LD module and store in non-extreme conditions.

Suggest using the constant current power supply.



Wavespectrum Laser Group
www.wavespectrum-laser.com
sales@wavespectrum-laser.com

