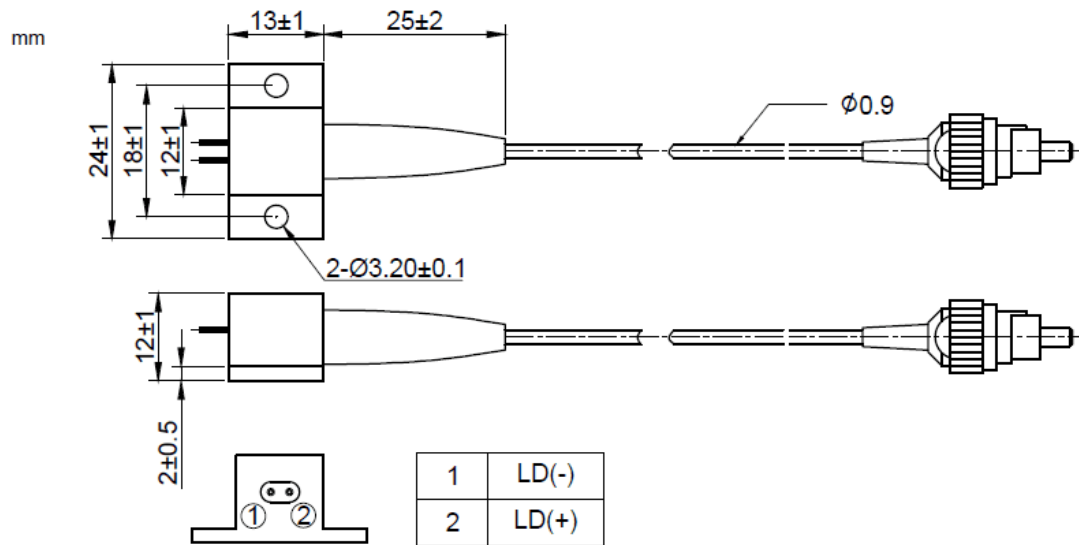


645nm 1.8W High Power Fiber Coupled Laser Diode Module With 200um or 400um multi-mode Fiber
640nm~645nm Pigtailed Diode Laser Module | High Power Red LD Module
WSLP-645-1800m-200M
Wavespectrum Laser Group
www.wavespectrum-laser.com

PARAMETER	SYMBOL	VALUE	UNIT
MAX Reverse Voltage	V_r	2.0	V
Operating Temperature	T_{op}	0 ~ +50	°C
Storage Temperature	T_{stg}	-40 ~ +85	°C
Lead soldering temperature (10 sec.)	T_{is}	260	°C
Features: <ul style="list-style-type: none"> • 645nm • 1.8W Output Power • Compact Size • Built-in PD Optional 			
Applications: <ul style="list-style-type: none"> • Medical Laser Treatment • Laser Show • Others 			
Specifications		WSLP-645-1800m-200M	
		Min	Type
Center Wavelength@25°C		645nm ± 10nm	
Spectral Width (FWHM)		----	2.0nm
Temperature Coefficient of Wavelength		----	0.2nm / °C
Output Power		1.5W	1.8W
Recommended Case Temperature		25°C	
Threshold Current (Typ.)		----	0.5A
Operating Current (Typ.)		----	2.5A
Operating Voltage		----	2.4V
Fiber Core Diameter		200um (400um Optional)	
N.A.		0.22	
Fiber Length		>80cm	
Connector Type		FC(SMA905 Optional)	
Package Style		B7 Package	



B7 Package View:


Electrically shorten LD module and store in non-extreme conditions.
 Suggest using the constant current power supply.

