


420nm~425nm 1W Fiber Coupled Diode Laser with MM Fiber | 105um MM Fiber
425nm 1W Multi-mode Pigtailed Laser Diode Module | Coaxial Package | Blue LD Module
WSLP-425-001-M **Wavespectrum Laser Group** **www.wavespectrum-laser.com**

425nm Pigtailed Diode Laser **1W/MM Fiber** **en.wavespectrum-laser.com.cn**

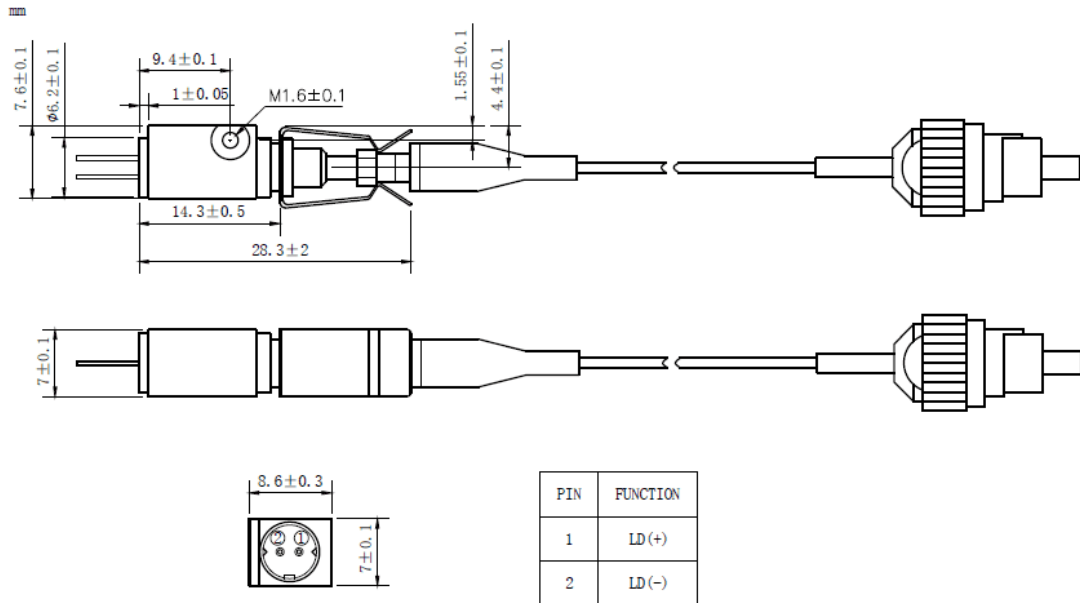
PARAMETER	SYMBOL	VALUE	UNIT
Reverse Voltage	V_r	2.0	V
Operating Temperature	T_{op}	0~+30	°C
Storage Temperature	T_{stg}	-40~+85	°C
Lead soldering temperature (10 sec.)	T_{is}	260	°C

<p>Features:</p> <ul style="list-style-type: none"> ● 425nm ● CW Mode ● Coaxial Package ● Fiber Receptacle Optional <p>Applications:</p> <ul style="list-style-type: none"> ● Medical Laser Treatment ● Printing ● Others 	
--	--

Specifications	WSLP-425-001-M		
	Min	Type	Max
Center Wavelength@25°C	425nm±10nm		
Spectral Width (FWHM)	----	2.0nm	----
Output Power	----	1W	----
Recommend Operating Temperature	25°C		
Fiber Type	Multi-mode Fiber		
Fiber Core	105um (50um, 200um Optional)		
Threshold Current (Typ.)	----	150mA	----
Operating Current (Typ.)	----	800mA	----
Operating Voltage	----	4.5V	----
Fiber Length	>80cm		
Fiber Connector	FC/SC/SMA905		
Package Style	Coaxial		



Package View:



Electrically shorten LD module and store in non-extreme conditions.
 Suggest using the constant current power supply.

