

685nm~690nm 1W High Power Laser Diode| C-mount Package| High Power Red LD

690nm 1W C-mount Package Red Laser Diodes | FAC Optional

WSLD-690-001-C

Wavespectrum Laser Group

www.wavespectrum-laser.com

en.wavespectrum-laser.com.cn

690nm Laser Diode 1W/C-mount

PARAMETER	SYMBOL	VALUE	UNIT
Reverse Voltage	$V_r$	2.0	V
Operating Temperature	$T_{op}$	+10~+20	°C
Storage Temperature	$T_{stg}$	-20~ +80	°C
Lead soldering temperature (10 sec.)	$T_{is}$	260	°C

**Features:**

- 690nm
- High Power ,CW, Multi-mode
- High Quality
- C-mount Package

**Applications:**

- Medical Laser Treatment
- Laser Indicator
- Laser Detector



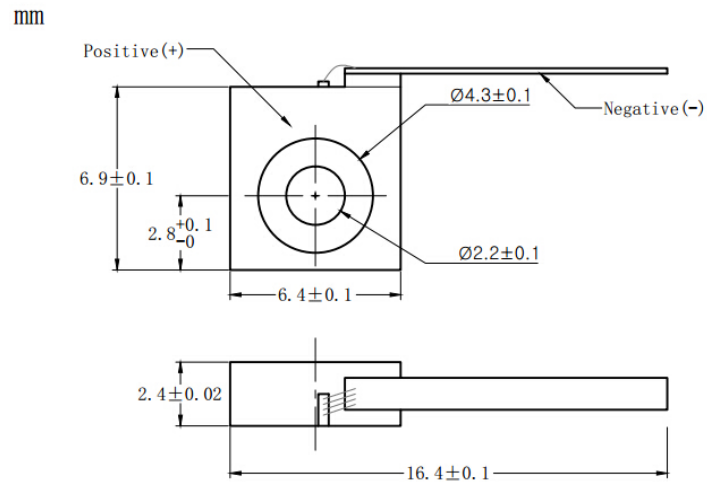
**Specifications**

**WSLD-690-001-C**

	Min	Type	Max
Center Wavelength@18°C	690nm ± 10nm		
Spectral Width (FWHM)		2nm	
Output Power		1W	
Emitter Area		150x1µm	
Beam Divergence (FWHM)		35° <sub>⊥</sub> x 8° <sub>//</sub>	
Temperature Coefficient of Wavelength		0.25nm / °C	
Slope Efficiency		1.1W/A	
Threshold Current (Typ.)		0.5A	
Operating Current (Typ.)		1.5A	
Operating Voltage		2.4V	
Package Style	C-mount		
Recommend Operating Temp	≤18°C		



## C-mount Package View



**Electrically shorten LD module and store in non-extreme conditions.  
Suggest using the constant current power supply.**

