

670nm 1.5W TO Can Laser Diode | High Power Red LD with TO3 Package

670nm~680nm 1.5W Laser Diode | TO3 Package LD | FAC Optional

WSLD-670-1500m-3

Wavespectrum Laser Group

www.wavespectrum-laser.com

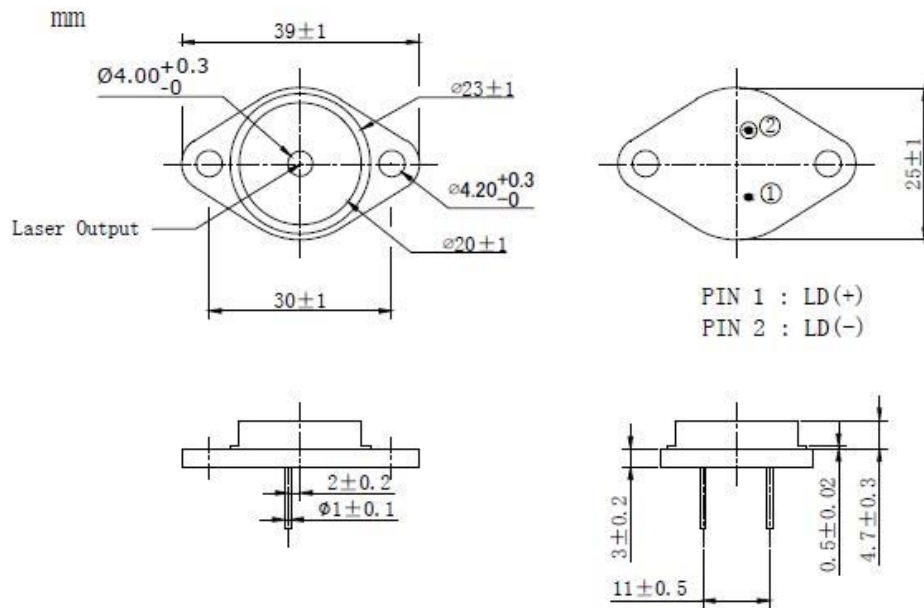
en.wavespectrum-laser.com.cn

670nm Laser Diode 1.5W/TO3

PARAMETER	SYMBOL	VALUE	UNIT
Reverse Voltage	V_r	2.0	V
Operating Temperature	T_{op}	+10~+30	°C
Storage Temperature	T_{stg}	-20~+80	°C
Lead soldering temperature (10 sec.)	T_{is}	260	°C
Features: <ul style="list-style-type: none"> ● 670nm ● High Power ,CW, Multi-mode ● High Quality ● TO3 Package 			
Applications: <ul style="list-style-type: none"> ● Medical Laser treatment ● Laser Indicator ● Laser Detector 			
Specifications		WSLD-670-1500m-3	
		Min	Type
			Max
Center Wavelength@25°C		670nm±10nm	
Spectral Width (FWHM)		2nm	
Output Power		1.5W	
Emitter Area		100x1μm	
Beam Divergence (FWHM)		35° _⊥ x 8° _{//}	
Temperature Coefficient of Wavelength		0.2nm / °C	
Slope Efficiency		1.2W/A	
Threshold Current (Typ.)		0.4A	
Operating Current (Typ.)		1.8A	
Operating Voltage		2.5V	
Package Style		TO3	



T03 Package View



**Electrically shorten LD module and store in non-extreme conditions.
 Suggest using the constant current power supply.**



Wavespectrum Laser Group
www.wavespectrum-laser.com
sales@wavespectrum-laser.com

