

465nm 3W Collimated Laser Diode High Power LD| 3W Output Power| Collimation Beam

460nm~470nm TO5 Package Laser Diode| Small Compact Package| Blue Diode Laser

WSLD-465-003-K

Wavespectrum Laser Group

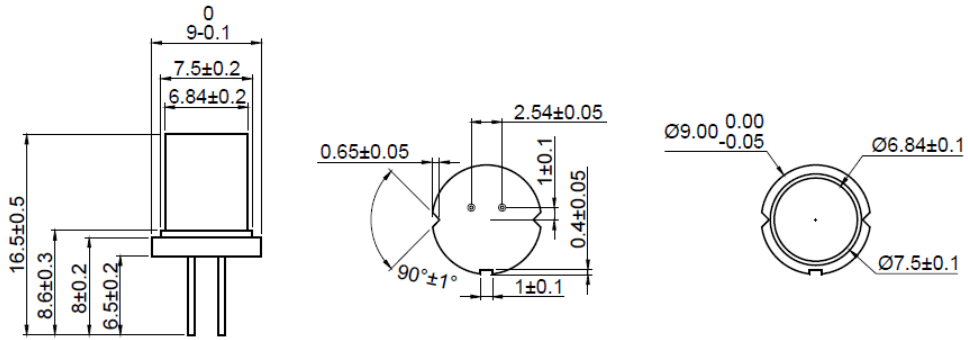
www.wavespectrum-laser.com

465nm Collimated Laser Diode		3W/TO5		Wavespectrum Laser Group	
PARAMETER		SYMBOL	VALUE		UNIT
Reverse Voltage		V_r	2.0		V
Operating Temperature		T_{op}	0 ~ +60		°C
Storage Temperature		T_{stg}	-40 ~ +85		°C
Lead soldering temperature (10 sec.)		T_{is}	260		°C
Features: <ul style="list-style-type: none"> • 465nm • Collimated Laser Beam • Small Compact Package • Excellent Beam Quality • Built-in PD Optional • Built-in TEC Cooling Optional 					
Specifications		WSLD-465-003-K			
		Min	Type	Max	
Center Wavelength@25°C		455nm	465nm	475nm	
Output Power (CW Mode)		----	3W	----	
Spatial Mode		Multi-mode			
Lens Type		Aspheric Lens (with AR Coating)			
Beam Shape		Elliptical			
Beam Divergence (Full Angle)		Parallel ($\theta //$)	0.2°	0.4°	0.6°
		Perpendicular ($\theta \perp$)	-1.0°	0.1°	1.0°
Recommend Operating Temperature		25 °C			
Threshold Current (Typ.)		----	0.4A	0.7A	
Operating Current (Typ.)		----	2.5A	3.0A	
Operating Voltage		----	4.5V	5.5V	
Package		TO5(9mm)			

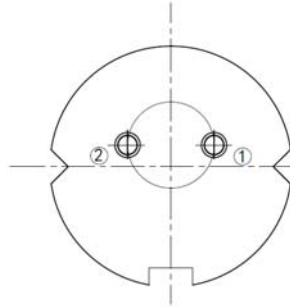


Package Drawing:

mm



PIN Bottom View:



1	LD(+)
2	LD(-)

Electrically shorten LD module and store in non-extreme conditions.
 Suggest using the constant current power supply.

