


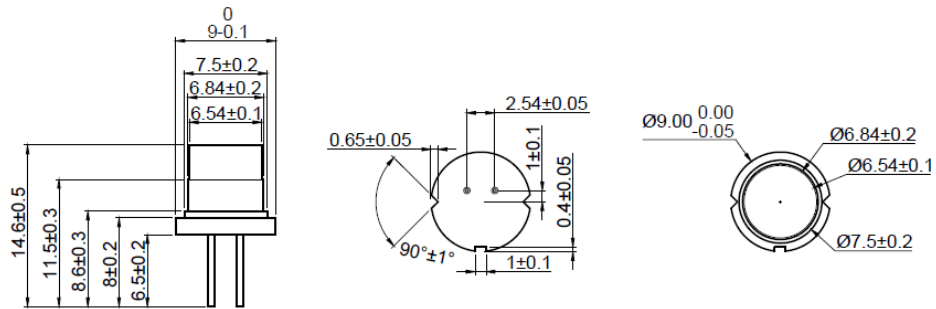
455nm 5W Collimated Laser Diode High Power LD| High Power Output Power| Collimation Beam
450nm~455nm 5W LD | Small Compact Package| Blue Diode Laser
WSLD-455-005-K
Wavespectrum Laser Group
www.wavespectrum-laser.com

455nm Collimated Laser Diode		5W/TO5		Wavespectrum Laser Group	
PARAMETER	SYMBOL	VALUE		UNIT	
Reverse Voltage	V_r	2.0		V	
Operating Temperature	T_{op}	0~+60		°C	
Storage Temperature	T_{stg}	-40~+85		°C	
Lead soldering temperature (10 sec.)	T_{is}	260		°C	
Features: <ul style="list-style-type: none"> ● 455nm ● Collimated Laser Beam ● Small Compact Package ● Excellent Beam Quality ● Built-in PD Optional ● Built-in TEC Cooling Optional 					
Specifications		WSLD-455-005-K			
		Min	Type	Max	
Center Wavelength@25°C		455nm±10nm			
Output Power (CW Mode)		----	5W	----	
Spatial Mode		Multi-mode			
Lens Type		Aspheric Lens (with AR Coating)			
Beam Shape		Elliptical			
Beam Divergence (Full Angle)	Parallel ($\theta //$)	0.6°	0.8°	1.1°	
	Perpendicular ($\theta \perp$)	-1.0°	0°	1.0°	
Recommend Operating Temperature		25 °C			
Threshold Current (Typ.)		----	0.3A	0.6A	
Operating Current (Typ.)		----	3.2A	3.5A	
Operating Voltage		----	4.5V	5.5V	
Package		TO5(9mm)			

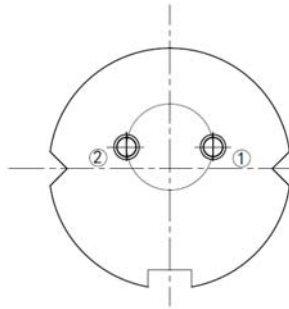


Package Drawing:

mm



PIN Bottom View:



1	LD(+)
2	LD(-)

Electrically shorten LD module and store in non-extreme conditions.
 Suggest using the constant current power supply.

