
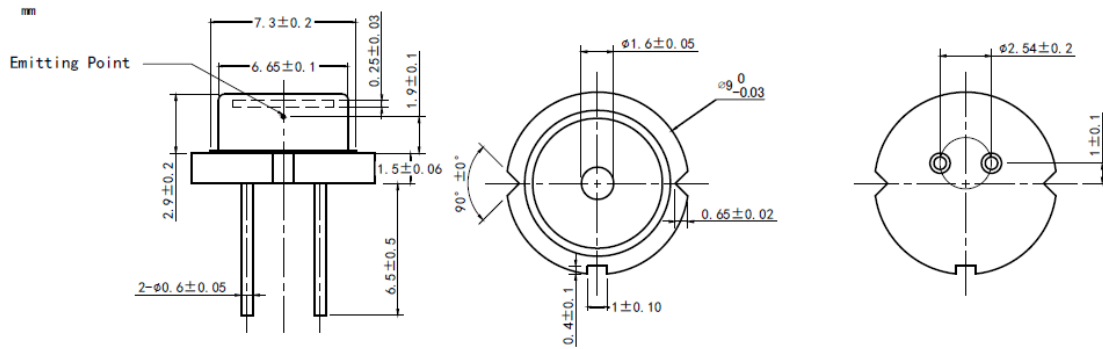


450nm~455nm 5W TO5 Laser Diode with Square Beam | TO5 9mm Package |Blue Laser Diode
455nm LD| 5W Output Power | 9mm TO5 Package | With FAC Lens
WSLD-455-005-2-FAC
Wavespectrum Laser Group.
www.wavespectrum-laser.com

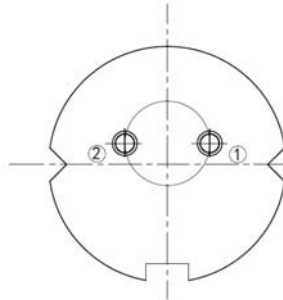
455nm Laser Diode		5W/TO5		en.wavespectrum-laser.com.cn	
PARAMETER		SYMBOL	VALUE		UNIT
Reverse Voltage		V_r	2.0		V
Operating Temperature		T_{op}	0~+60		°C
Storage Temperature		T_{stg}	-40~+85		°C
Lead soldering temperature (10 sec.)		T_{is}	260		°C
Features: <ul style="list-style-type: none"> ● 455nm ● 5W Output Power ● TO5 Package ● With FAC Lens 					
Applications: <ul style="list-style-type: none"> ● Medical Laser Treatment ● Laser Show ● Others 					
Specifications		WSLD-455-005-2-FAC			
		Min	Type	Max	
Center Wavelength@25°C		455nm±10nm			
Spectral Width (FWHM)		3.0nm			
Output Power		4.5W	5W	----	
Recommended Operating Temperature		25°C			
Beam	Beam Divergence (FWHM)	----	$10^\circ \pm x 10^\circ //$	$13^\circ \pm x 13^\circ //$	
	Beam Shape	Square Beam (About 1:1)			
Linear Shape Beam (Fast Axis compressed to about 2°)		Optional			
Slope Efficiency		----	1.7W/A	----	
Threshold Current (Typ.)		----	0.3A	0.6A	
Operating Current (Typ.)		----	3.2A	3.5A	
Operating Voltage		----	4.5V	5.5V	
Package Style		TO5 (9mm)			



Package View



PIN Bottom View:



1	LD(+)
3	LD(-)

Electrically shorten LD module and store in non-extreme conditions.
 Suggest using the constant current power supply.

