
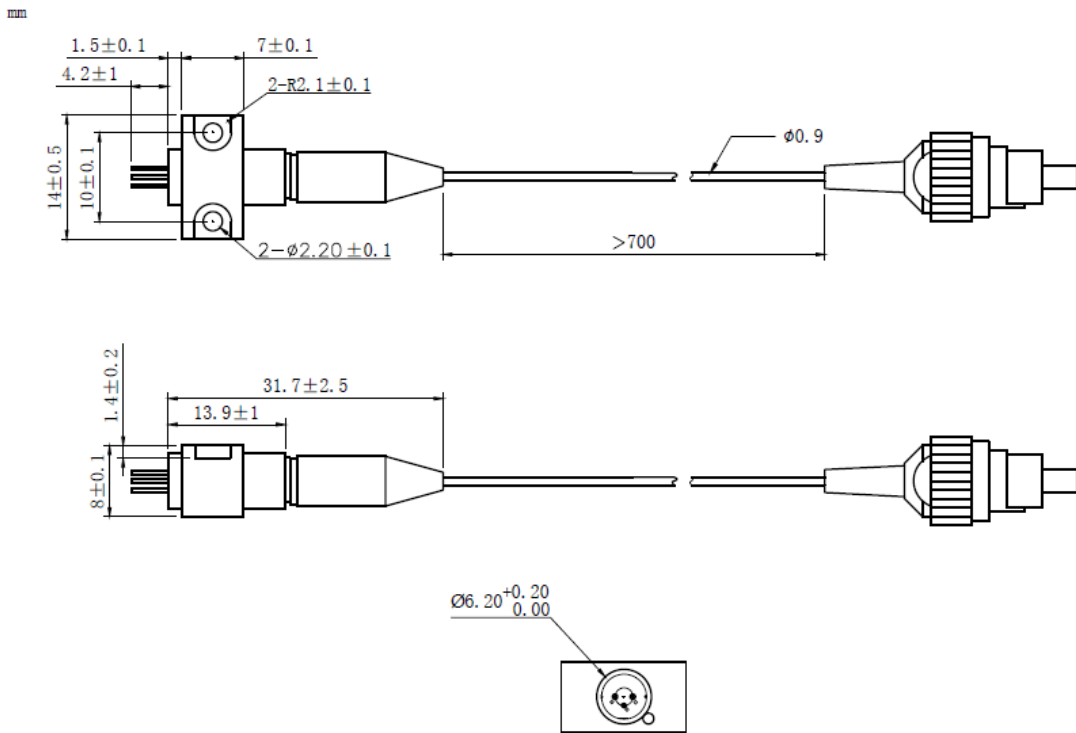
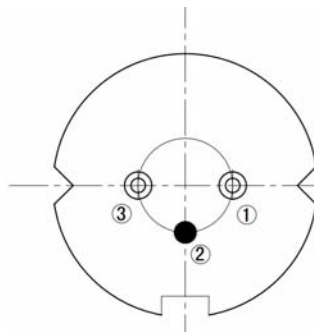


658nm~660nm 80mW Fiber Coupled Diode Laser with SMF28 Fiber
660nm 80mW Coaxial Pigtailed LD with 9um Fiber | Red Laser Module for Aiming Beam
WSLP-660-080m-9
Wavespectrum Laser Group
www.wavespectrum-laser.com
660nm Pigtailed Diode Laser
80mW/9um
en.wavespectrum-laser.com.cn

PARAMETER	SYMBOL	VALUE	UNIT
Reverse Voltage	V_r	2.0	V
Operating Temperature	T_{op}	-10~+60	°C
Storage Temperature	T_{stg}	-40~+85	°C
Lead soldering temperature (10 sec.)	T_{is}	260	°C
Features: <ul style="list-style-type: none"> 🔸 660nm 🔸 With 9um Fiber 🔸 Coaxial or B82 Package 			
Applications: <ul style="list-style-type: none"> 🔸 Medical Laser Treatment 🔸 Other 			
Specifications	WSLP-660-080m-9		
	Min	Type	Max
Center Wavelength@25°C	660nm±10nm		
Spectral Width (FWHM)	----	2.0nm	----
Output Power	----	80mW	----
Fiber Type	SMF-28		
Fiber Core	9um		
Recommended Operating Temperature	25°C		
Fiber Connector	FC/SC/SMA905		
Fiber Length	>80cm		
Threshold Current	----	55mA	75mA
Operating Current	----	200mA	220mA
Operating Voltage	----	2.8V	3.5V
Package Style	Coaxial or B82		



Coaxial Package View: (Part Number: WSLP-660-080m-9)

B82 Package View: (Part Number: WSLP-660-080m-9-B)

PIN Bottom View:


1	LD(+)
2	LD(-)
3	NC



Electrically shorten LD module and store in non-extreme conditions.
Suggest using the constant current power supply.

