

658nm~660nm 50mW~60mW SM Coaxial Pigtailed Laser Diode with PMF
660nm 50mW SM Fiber Coupled LD with Polarization Maintaining Fiber
WSLP-660-050m-PM
Wavespectrum Laser Group
www.wavespectrum-laser.com

660nm Pigtailed Diode Laser	50mW/PM Fiber	en.wavespectrum-laser.com.cn
------------------------------------	----------------------	-------------------------------------

PARAMETER	SYMBOL	VALUE	UNIT
Reverse Voltage	V_r	2.0	V
Operating Temperature	T_{op}	-10~+60	°C
Storage Temperature	T_{stg}	-40~+85	°C
Lead soldering temperature (10 sec.)	T_{is}	260	°C

Features:

- 660nm
- 4um PM Fiber
- High Stability
- High Polarization Extinction Ratio

Applications:

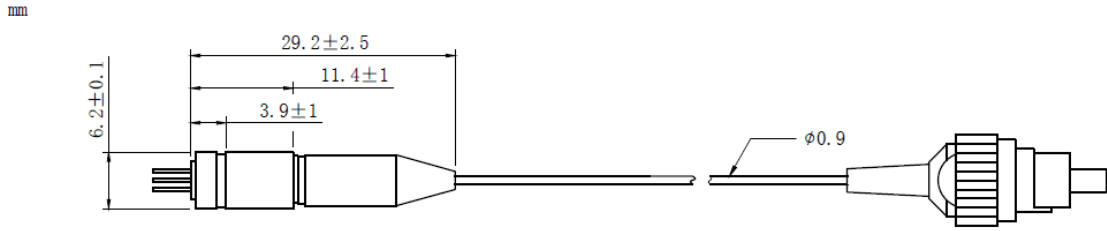
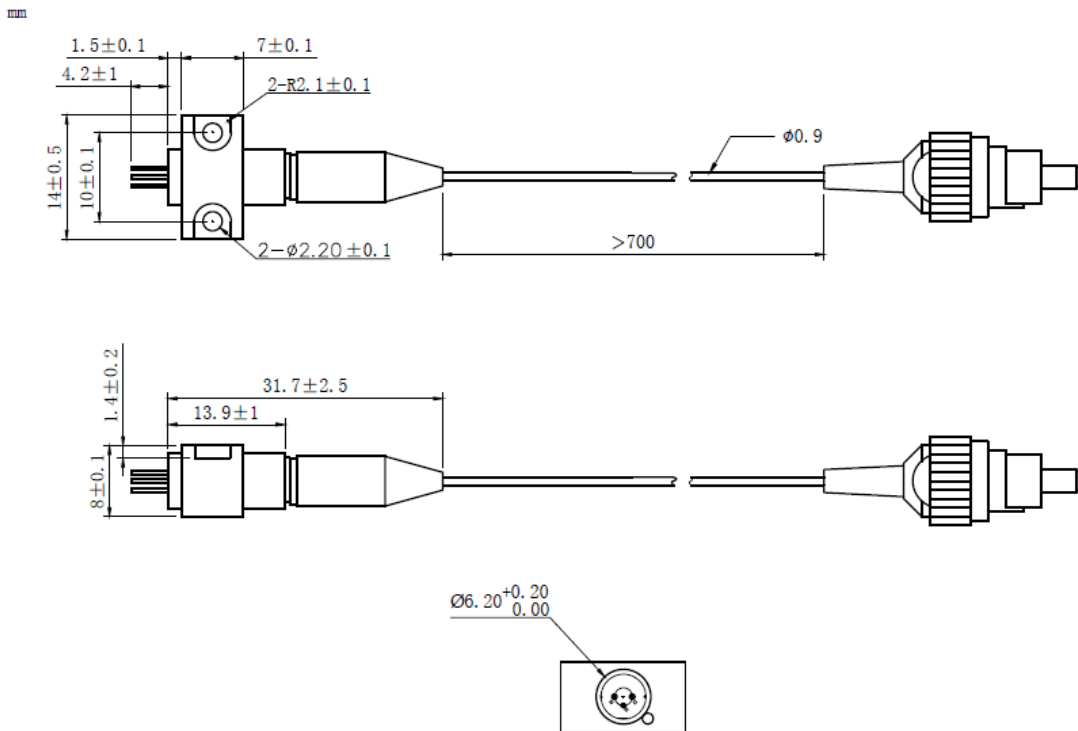
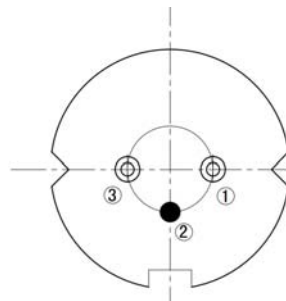
- Medical Laser Treatment
- Others


Specifications
WSLP-660-050m-PM

	Min	Type	Max
Center Wavelength@25°C	±5nm	660nm	±10nm
Recommended Operating Temperature	25°C		
Output Power	----	50mW	----
Fiber Type	Polarization Maintaining Fiber		
Fiber Core	4um		
Polarization Extinction Ratio	13dB	15dB	
Fiber Length	----	80cm	100cm
Threshold Current	----	55mA	80mA
Operating Current	----	210mA	230mA
Operating Voltage	----	2.8V	3.5V
Fiber Connector	FC/APC		
Package Style	Coaxial or B82		

High Polarization Extinction Ratio (PER) Version Laser Module is also available, please contact us.



Coaxial Package View: (Part Number: WSLP-660-050m-PM)

B82 Package View: (Part Number: WSLP-660-050m-PM-B)

PIN Bottom View:


1	LD(+)
2	LD(-)
3	NC



Electrically shorten LD module and store in non-extreme conditions.
Suggest using the constant current power supply.

