
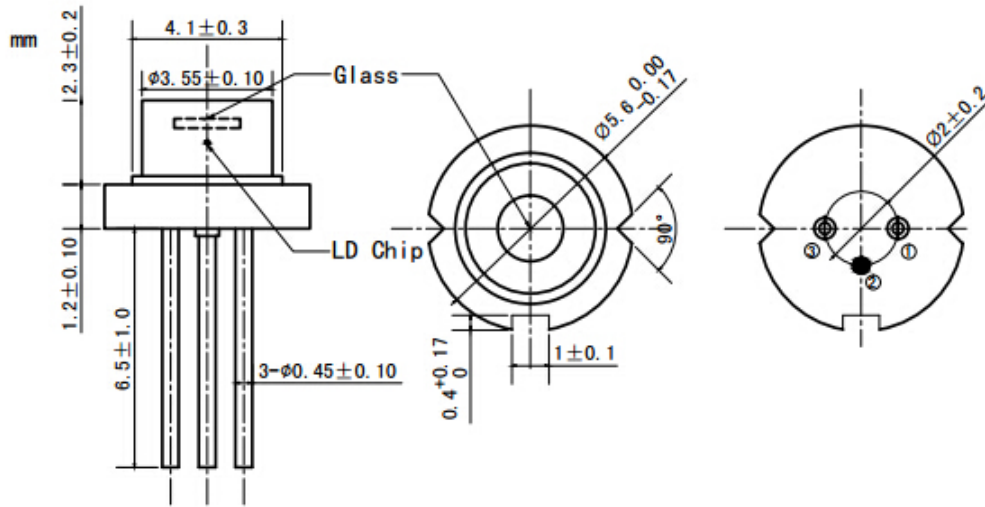


460nm 100mW Laser Diode | Single mode LD With TO18 Package
460nm 100mW SM LD | 100mW Output Power | Blue Laser Diode | Single Mode Beam
WSLD-460-100m-1
Wavespectrum Laser Group
www.wavespectrum-laser.com
en.wavespectrum-laser.com.cn

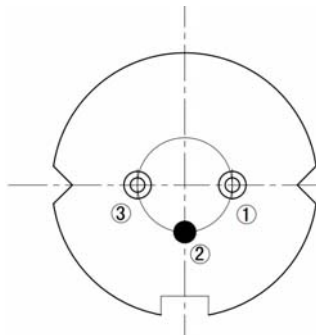
460nm Laser Diode		100mW/TO18		en.wavespectrum-laser.com.cn	
PARAMETER	SYMBOL	VALUE		UNIT	
Reverse Voltage	V_r	2.0		V	
Operating Temperature	T_{op}	-10 ~ +70		°C	
Storage Temperature	T_{stg}	-40 ~ +85		°C	
Lead soldering temperature (10 sec.)	T_{is}	260		°C	
Features: <ul style="list-style-type: none"> 460nm 100mW Output Power Single Mode Beam 					
Applications: <ul style="list-style-type: none"> Medical Laser Treatment Laser Indicator Laser Detector 					
Specifications		WSLD-460-100m-1			
		Min	Type	Max	
Center Wavelength@25°C		450nm	460nm	470nm	
Spectral Width (FWHM)		2.0nm			
Output Power		----	100mW	----	
Emitter		Single			
Beam Divergence (FWHM)		----	25° ± x 10° //	----	
Recommended Operating Temperature		25°C			
Slope Efficiency		----	1.0mW/mA	----	
Threshold Current (Typ.)		----	25mA	60mA	
Operating Current (Typ.)		----	140mA	160mA	
Operating Voltage		----	6.0V	7.0V	
Package Style		TO18			



TO18 Package :



PIN Bottom View:



1	LD(+)
2	GND
3	LD(-)

Electrically shorten LD module and store in non-extreme conditions.
Suggest using the constant current power supply.

