


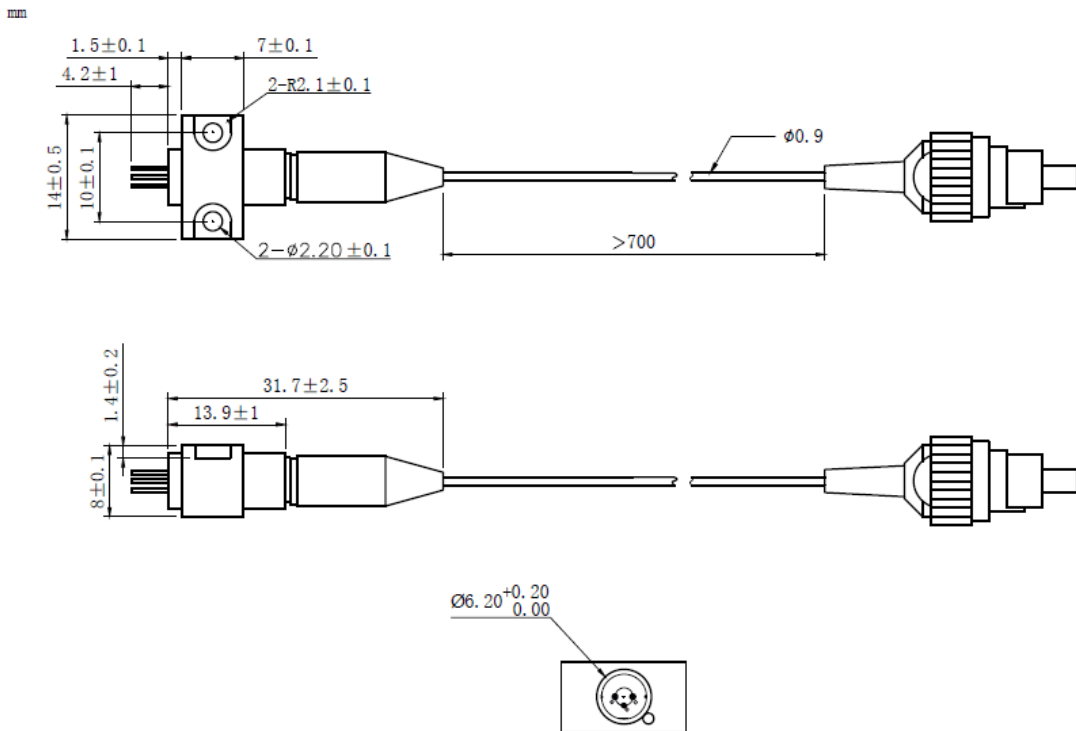
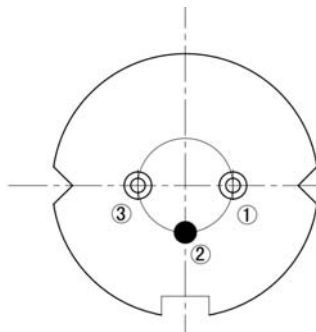
490nm~495nm 50mW Fiber coupled Diode Laser module with Coaxial Package| Blue LD Module
492nm~495nm Pigtailed LD with 50um, 62.5um or 105um Multi-mode Fiber (MM Fiber)
 WSLP-495-050m-M Wavespectrum Laser Group www.wavespectrum-laser.com

495nm Pigtailed Diode Laser 50mW/MMF en.wavespectrum-laser.com.cn

PARAMETER	SYMBOL	VALUE	UNIT
Reverse Voltage	V_r	2.0	V
Operating Temperature	T_{op}	-10~+60	°C
Storage Temperature	T_{stg}	-40~+85	°C
Lead soldering temperature (10 sec.)	T_{is}	260	°C
Features: <ul style="list-style-type: none"> ● 495nm Diode Laser ● Multi-mode Fiber ● Coaxial or B82 Package ● High Stability 			
Applications: <ul style="list-style-type: none"> ● Medical Laser Treatment ● Biotechnology ● Others 			
Specifications	WSLP-495-050m-M		
	Min	Type	Max
Center Wavelength@25°C	495nm±5nm		
Spectral Width (FWHM)	----	2.0nm	----
Output Power	----	50mW	----
Fiber Type	Multi-mode Fiber		
Fiber Core	105um (50um, 62.5um Optional)		
Recommend Operating Temperature	25°C		
Fiber Length	>80cm		
Threshold Current (Typ.)	----	20mA	60mA
Operating Current (Typ.)	----	140mA	160mA
Operating Voltage	----	6.5V	8.0V
Package Style	Coaxial or B82		
Fiber Connector	FC/SC/SMA905		
Photodiode	Without		



Coaxial Package View: (Part Number: WSLP-495-050m-M)

B82 Package View: (Part Number: WSLP-495-050m-M-B)

PIN Bottom View:


1	LD(+)
2	GND
3	LD(-)



Electrically shorten LD module and store in non-extreme conditions.
Suggest using the constant current power supply.

