


490nm~495nm 10mW Coaxial Pigtailed Laser Diode with PMF | Sky Blue Laser Module

492nm~495nm 10mW PM Fiber Coupled LD | 3um Polarization Maintaining (SM Fiber)

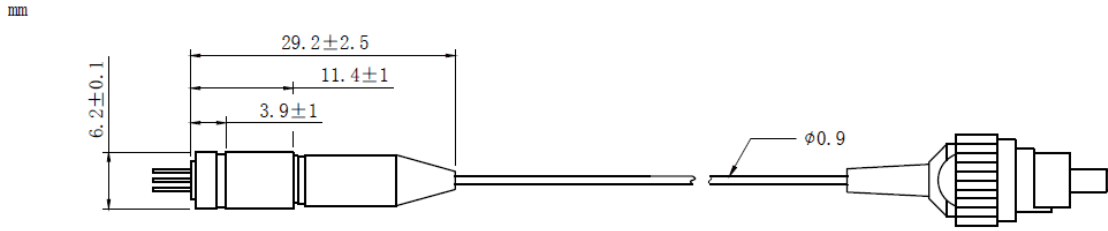
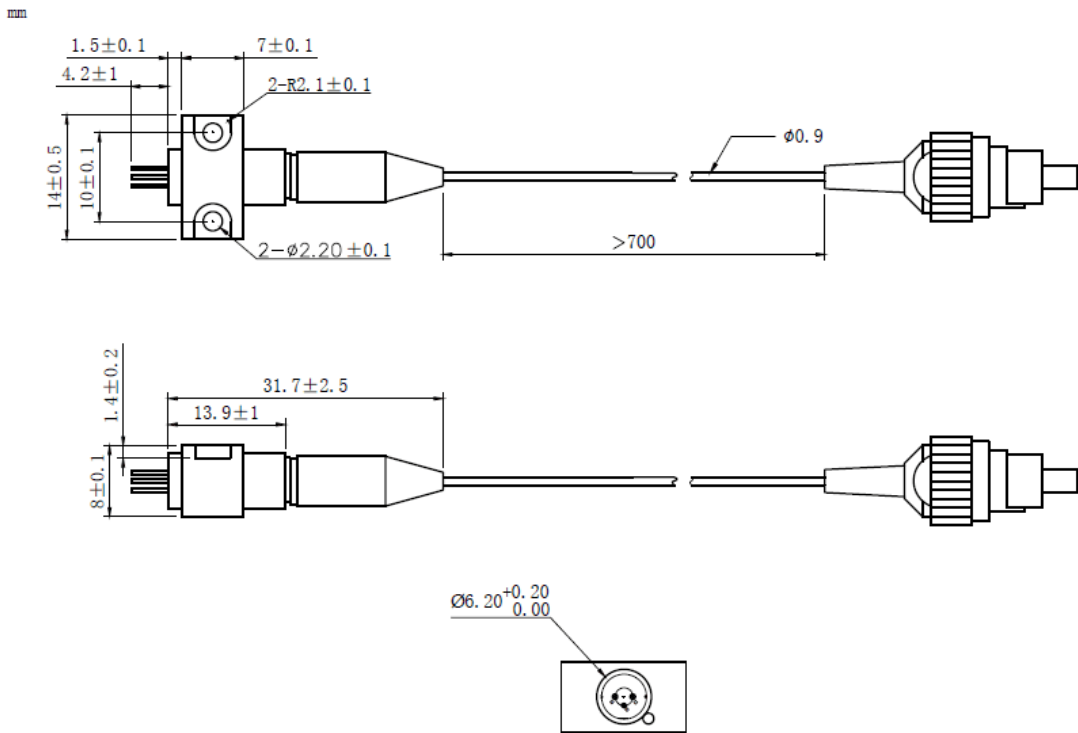
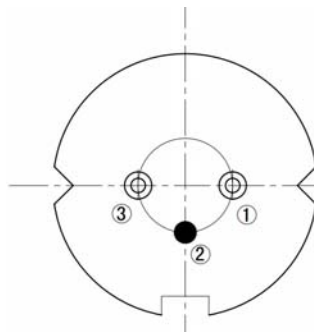
WSLP-495-010m-PM

Wavespectrum Laser Group

www.wavespectrum-laser.com

495nm Pigtailed Diode Laser		10mW/PMF		en.wavespectrum-laser.com.cn	
PARAMETER	SYMBOL	VALUE		UNIT	
Reverse Voltage	V_r	2.0		V	
Operating Temperature	T_{op}	-10~+60		°C	
Storage Temperature	T_{stg}	-40~+85		°C	
Lead soldering temperature (10 sec.)	T_{is}	260		°C	
Features: <ul style="list-style-type: none"> 495nm PM Fiber High Reliability High Polarization Extinction Ratio Applications: <ul style="list-style-type: none"> Medical Laser Treatment Biotechnology Others 					
Specifications	WSLP-495-010m-PM				
	Min	Type	Max		
Center Wavelength@25°C	495nm±5nm				
Spectral Width (FWHM)	----	2.0nm	----		
Output Power	----	10mW	----		
Fiber Type	Polarization Maintaining Fiber				
Fiber Core	3um				
Recommend Operating Temperature	25°C				
Fiber Connector	FC/APC				
Polarization Extinction Ratio	13dB	15dB			
Fiber Length	>80cm				
Threshold Current	----	25mA	60mA		
Operating Current	----	110mA	130mA		
Operating Voltage	----	6.5V	8.0V		
Package Style	Coaxial or B82				



Coaxial Package View: (Part Number: WSLP-495-010m-PM)

B82 Package View: (Part Number: WSLP-495-010m-PM-B)

PIN Bottom View:


1	LD(+)
2	GND
3	LD(-)



Electrically shorten LD module and store in non-extreme conditions.
Suggest using the constant current power supply.

