

**460nm 50mW Coaxial Pigtailed Laser Diode with Single Mode Fiber| Blue LD**
**460nm | Single Mode Blue Diode Laser Module | 460nm Fiber Coupled LD| 3um UV SM Fiber**
**WSLP-460-050m-4**
**Wavespectrum Laser Group**
**www.wavespectrum-laser.com**

<b>460nm Pigtailed Diode Laser</b>	<b>50mW/SMF</b>	<b>en.wavespectrum-laser.com.cn</b>
------------------------------------	-----------------	-------------------------------------

PARAMETER	SYMBOL	VALUE	UNIT
Reverse Voltage	$V_r$	2.0	V
Operating Temperature	$T_{op}$	-10~+70	°C
Storage Temperature	$T_{stg}$	-40~+85	°C
Lead soldering temperature (10 sec.)	$T_{is}$	260	°C

**Features:**

- 460nm
- 3um UV SM Fiber
- Coaxial or B82 Package

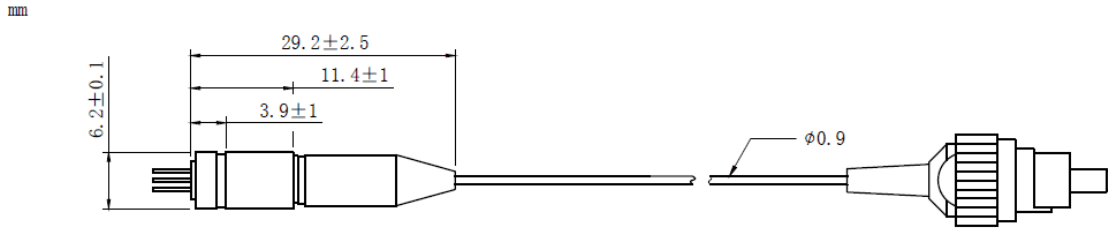
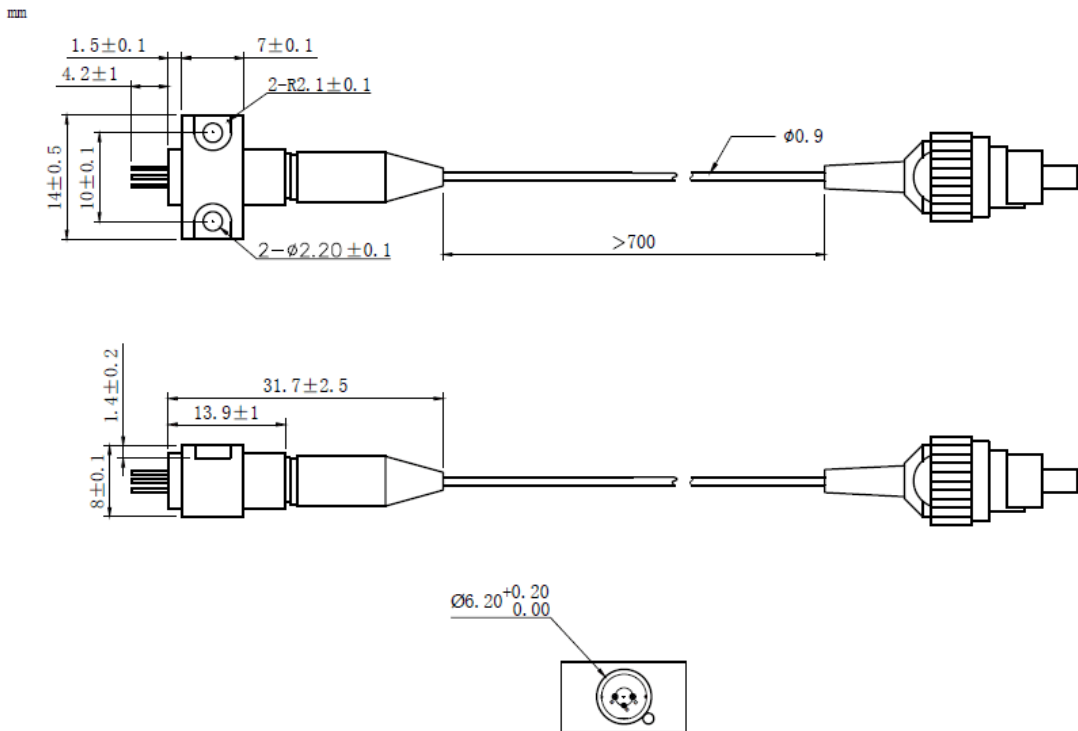
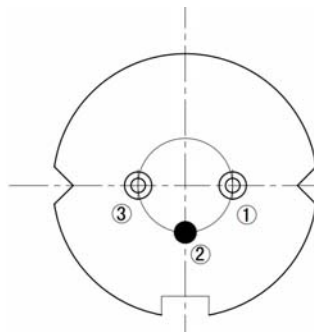
**Applications:**

- Medical Laser Treatment
- Printing
- Others


**Specifications**
**WSLP-460-050m-4**

	Min	Type	Max
Center Wavelength@25°C	450nm	460nm	470nm
Spectral Width (FWHM)	----	2.0nm	----
Output Power	----	50mW	----
Fiber Type	3um SM Fiber		
Recommend Operating Temperature	25°C		
Monitor Current	----	----	----
PD Reverse Voltage	----	----	----
Fiber Connector	FC/SC/SMA905		
Fiber Length	>80cm		
Threshold Current	----	25mA	60mA
Operating Current	----	140mA	160mA
Operating Voltage	----	6.0V	7.0V
Package Style	Coaxial or B82		



**Coaxial Package View: (Part Number: WSLP-460-050m-4)**

**B82 Package View: (Part Number: WSLP-460-050m-4-B)**

**PIN Bottom View:**


<b>1</b>	<b>LD(+)</b>
<b>2</b>	<b>GND</b>
<b>3</b>	<b>LD(-)</b>



Electrically shorten LD module and store in non-extreme conditions.  
Suggest using the constant current power supply.

