

400nm~402nm 15mW~20mW SM Coaxial Pigtailed Laser Diode | Built-in Photodiode
400nm 15mW Fiber Coupled LD with Single Mode Fiber | Violet Diode Laser Module with PD
WSLP-400-015m-4-PD
Wavespectrum Laser Group
www.wavespectrum-laser.com

400nm Pigtailed Diode Laser	15mW/SMF	en.wavespectrum-laser.com.cn
------------------------------------	-----------------	-------------------------------------

PARAMETER	SYMBOL	VALUE	UNIT
Reverse Voltage	V_r	2.0	V
Operating Temperature	T_{op}	-10~+70	°C
Storage Temperature	T_{stg}	-40~+85	°C
Lead soldering temperature (10 sec.)	T_{is}	260	°C

Features:

- 400nm
- 3um SM Fiber
- Coaxial or B82 Package
- Built-in Photodiode

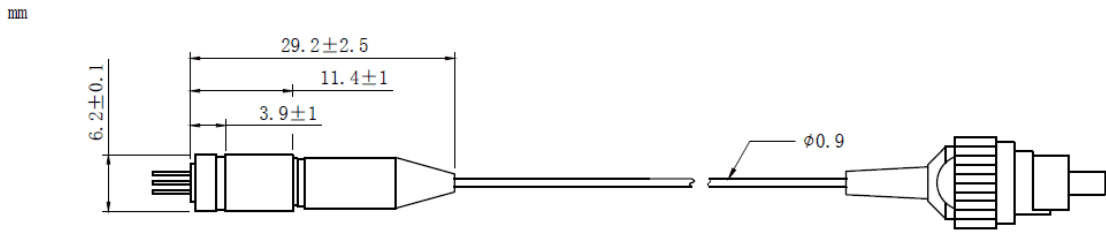
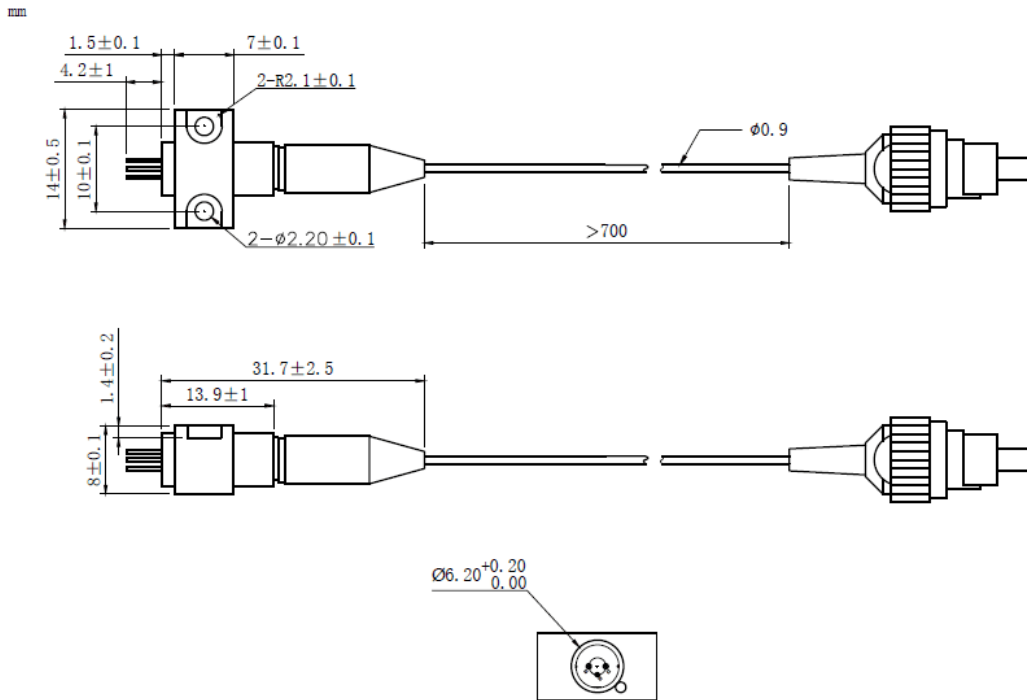
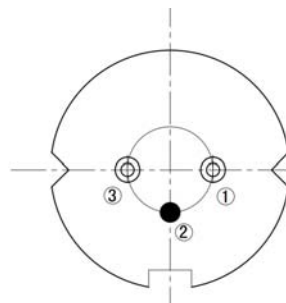
Applications:

- Medical Laser Treatment
- Printing
- Others


Specifications
WSLP-400-015m-4-PD

	Min	Type	Max
Center Wavelength@25°C	400nm±5nm		
Spectral Width (FWHM)	----	2.0nm	----
Output Power	----	15mW	----
Fiber Core	3um		
Recommended Operating Temperature	25°C		
Monitor Current	----	0.3mA	----
PD MAX Reverse Voltage	----	----	30V
Fiber Connector	FC/SC/SMA905		
Fiber Length	>80cm		
Threshold Current	----	35mA	70mA
Operating Current	----	90mA	110mA
Operating Voltage	----	5.0V	6.0V
Package Style	Coaxial or B82		
PD	Built-in		



Coaxial Package View: (Part Number: WSLP-400-015m-4-PD)

B82 Package View: (Part Number: WSLP-400-015m-4-B-PD)

PIN Bottom View:


1	LD(-)
2	LD(+)&PD(-)
3	PD(+)



Electrically shorten LD module and store in non-extreme conditions.
Suggest using the constant current power supply.

