

395nm 200mW 14-Pin Butterfly Package Fiber Coupled Diode Laser With TEC | Violet Laser Diode
390nm~395nm| 14-Pin BTF Package With 105um UV Fiber |Built-in TEC Cooling | Built-in PD
WSLX-395-200m-M-H14-T-PD
Wavespectrum Laser Group
www.wavespectrum-laser.com

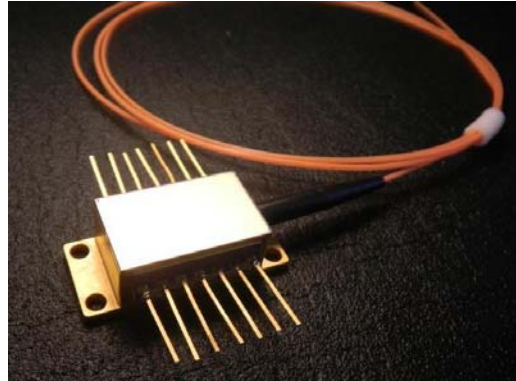
| PARAMETER | SYMBOL | VALUE | UNIT |
|--------------------------------------|-----------|-----------|------|
| Reverse Voltage | V_r | 2.0 | V |
| Operating Temperature | T_{op} | 0 ~ +30 | °C |
| Storage Temperature | T_{stg} | -40 ~ +85 | °C |
| Lead soldering temperature (10 sec.) | T_{is} | 260 | °C |

Features:

- 395nm
- 200mW Output Power
- Built-in TEC Cooling
- Built-in Photodiode
- High Stability

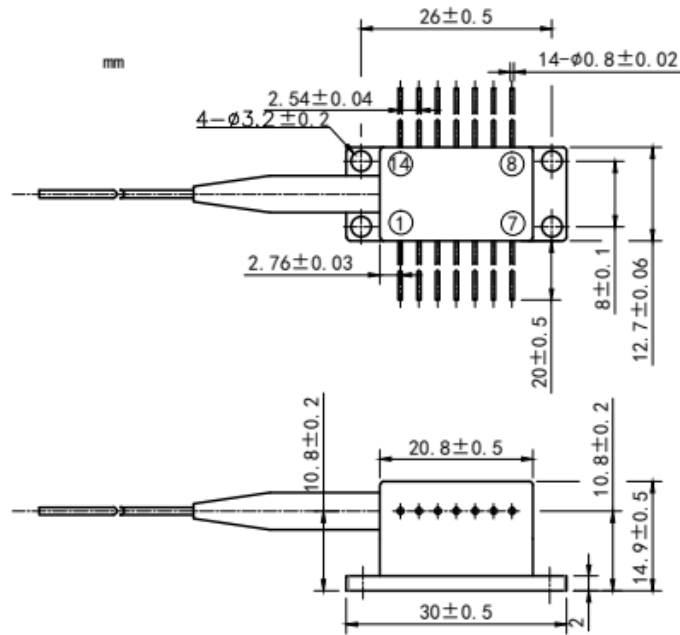
Applications:

- Medical Laser Treatment
- Others


Specifications
WSLX-395-200m-M-H14-T-PD

| | Min. | Type | Max. |
|-----------------------------------|---------------------|-------|-------|
| Center Wavelength@25°C | 395nm ± 10nm | | |
| Spectral Width (FWHM) | ---- | 2nm | ---- |
| Output Power | ---- | 200mW | ---- |
| Recommended Operating Temperature | 25 °C | | |
| Threshold Current (Typ.) | ---- | 130mA | 190mA |
| Operating Current (Typ.) | ---- | 300mA | 320mA |
| Operating Voltage | | 4.5V | 5.5V |
| TEC Max Current | 2A | | |
| TEC Max Voltage | 8V | | |
| Fiber Type | UV Multi-mode Fiber | | |
| Fiber Core | 105um | | |
| Fiber Length | >80cm | | |
| Connector Type | SMA905/FC | | |
| Package | 14-Pin | | |



14-Pin Package View:

Pin Out:

| PIN | FUNCTION | PIN | FUNCTION |
|-----|------------|-----|----------|
| 1 | TEC(+) | 14 | TEC(-) |
| 2 | THERMISTOR | 13 | CASE |
| 3 | PD(+) | 12 | NC |
| 4 | PD(-) | 11 | LD(-) |
| 5 | THERMISTOR | 10 | LD(+) |
| 6 | NC | 9 | NC |
| 7 | NC | 8 | NC |

Electrically shorten LD module and store in non-extreme conditions.

Suggest using the constant current power supply.

