
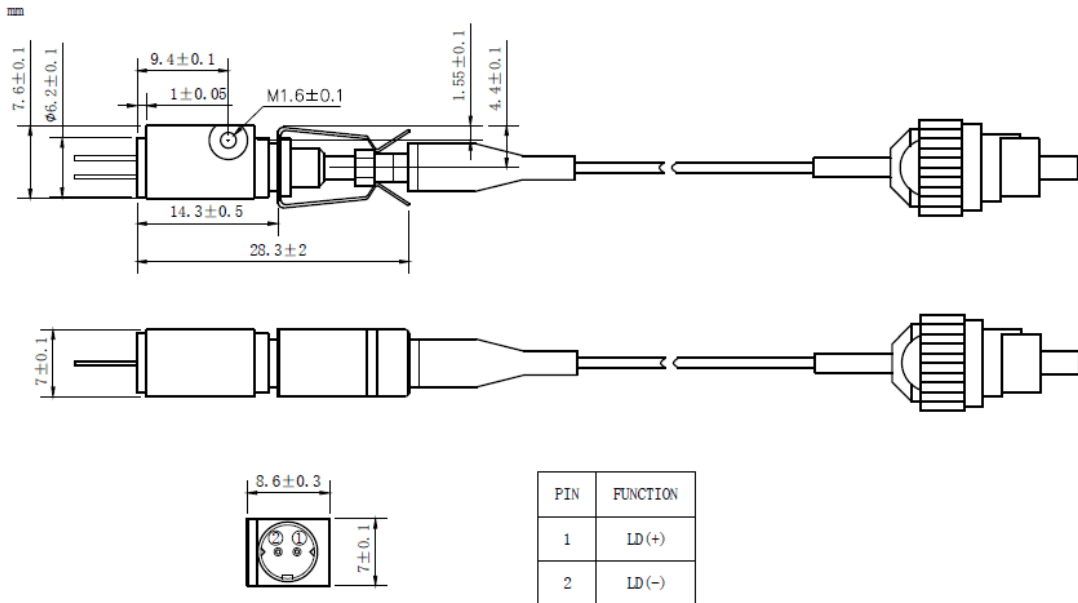


**395nm 200mW Fiber Coupled Diode Laser with MM Fiber | 50um UV Fiber**
**395nm 200mW Multi-mode Pigtailed Laser Diode Module | Coaxial Package | Violet LD Module**
**WSLP-395-200m-50M**
**Wavespectrum Laser Group**
**www.wavespectrum-laser.com**

395nm Pigtailed Diode Laser		200mW/MM Fiber		en.wavespectrum-laser.com.cn	
PARAMETER	SYMBOL	VALUE		UNIT	
Reverse Voltage	$V_r$	2.0		V	
Operating Temperature	$T_{op}$	0~ +30		°C	
Storage Temperature	$T_{stg}$	-40 ~ +85		°C	
Lead soldering temperature (10 sec.)	$T_{is}$	260		°C	
<b>Features:</b> <ul style="list-style-type: none"> <li>● 395nm</li> <li>● CW Mode</li> <li>● Coaxial Package</li> <li>● Fiber Receptacle Optional</li> </ul>					
<b>Applications:</b> <ul style="list-style-type: none"> <li>● Medical Laser Treatment</li> <li>● Printing</li> <li>● Others</li> </ul>					
<b>Specifications</b>	<b>WSLP-395-200m-50M</b>				
	Min	Type	Max		
Center Wavelength@25°C	395nm±10nm				
Spectral Width (FWHM)	----	2.0nm	----		
Output Power	----	200mW	----		
Recommend Operating Temperature	25°C				
Fiber Type	UV Multi-mode Fiber				
Fiber Core	50um				
Threshold Current (Typ.)	----	130mA	200mA		
Operating Current (Typ.)	----	320mA	350mA		
Operating Voltage	----	4.5V	5.5V		
Fiber Length	>80cm				
Fiber Connector	FC/SC/SMA905				
Package Style	Coaxial				



**Package View:**



**Electrically shorten LD module and store in non-extreme conditions.**

**Suggest using the constant current power supply.**

