
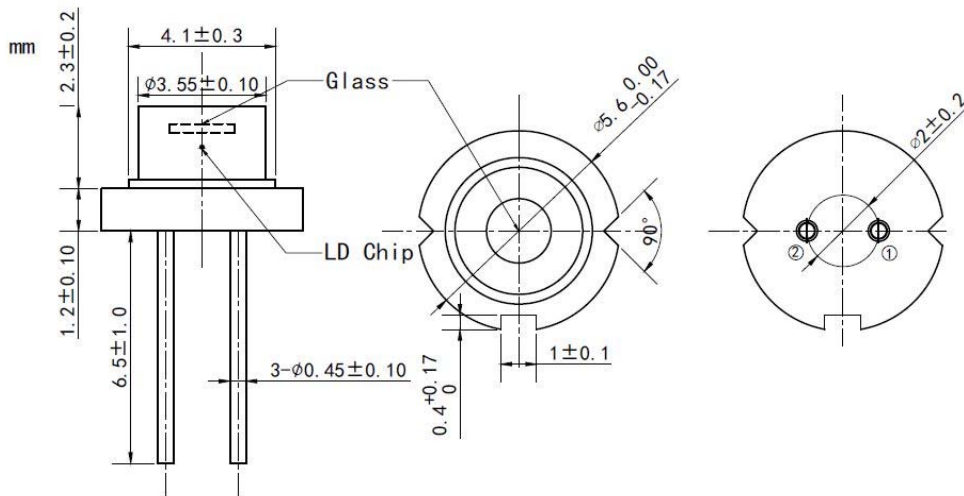
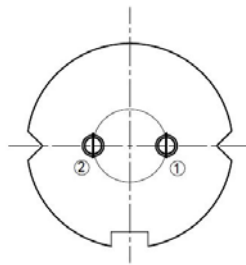


395nm 300mW Multi-mode Laser Diode | 0.3W High Power LD
390nm~395nm LD| 300mW Output Power|5.6 mm Package | Violet LD | Multimode Laser Diode
WSLD-395-300m-1
Wavespectrum Laser Group
www.wavespectrum-laser.com

395nm Laser Diode		300mW/TO18		Wavespectrum Laser Group	
PARAMETER	SYMBOL	VALUE		UNIT	
Reverse Voltage	V_r	2.0		V	
Operating Temperature	T_{op}	0~+30		°C	
Storage Temperature	T_{stg}	-40~+85		°C	
Lead soldering temperature (10 sec.)	T_{is}	260		°C	
Features: <ul style="list-style-type: none"> ● 395nm ● High Output Power ● 5.6mm Package ● Multimode Laser Diode 					
Applications: <ul style="list-style-type: none"> ● Medical Laser Treatment ● Printing ● Others 					
Specifications		WSLD-395-300m-1			
		Min	Type	Max	
Center Wavelength@25°C		395nm±10nm			
Spectral Width (FWHM)		2.0nm			
Output Power (CW)		----	300mW	----	
Beam Divergence (FWHM)		----	45° _⊥ x 15° _{//}	51° _⊥ x 21° _{//}	
Threshold Current (Typ.)		----	130mA	200mA	
Operating Current (Typ.)		----	330mA	360mA	
Operating Voltage		----	4.8V	5.5V	
Slope Efficiency		----	1.6mW/mA	----	
Recommended Operating Temperature		25 °C			
Package Style		5.6mm			



TO18 (5.6mm) Package View

PIN Bottom View


1	LD(+)
2	LD(-)

Electrically shorten LD module and store in non-extreme conditions.
 Suggest using the constant current power supply.

