

Triplex (RGB) Fiber Coupled White Laser Module

PRODUCT FEATURE

RGB (635nm+445nm+520nm) Solution
 SMF/MMF/PMF Optional
 White Laser Output
 Built-in TE Cooler Optional
 Long Lifetime
 High Stability



PRODUCT OVERVIEW

Triplex (RGB) Fiber Coupled White Laser Module is the competitive product of WAVESPECTRUM.

We couple the Red (635nm), Green (520nm) and Blue (445nm) Laser into one piece of fiber to get the white Laser. The Fiber Type can be Single mode Fiber (SMF), Multimode Fiber (MMF) and Polarization Maintaining Fiber (PMF). The fiber core can be 4um, 9um, 105um, etc. The output power can be up to 200mW. By controlling the ratio of RGB Laser, we can get the perfect white laser. Meanwhile, by adjusting the ratio, various colors of laser also can be obtained.

WAVESPECTRUM also offer the Customized Solution for Triplex Laser Modules, such as Customized Wavelength, Customized Power and Customized Fiber Core to meet the special needs of customers.

WAVESPECTRUM use laser welding technology to guarantee the long-term reliability of the laser structure. To ensure the long-term reliability, each laser diode will undergo rigorous testing and aging in the factory. Meanwhile the high-low storage temperature circulation is also necessary for each laser diode. We set the storage temperature range from -40°C to +85°C, and it lasts 10 cycles, which will ensure the long-term reliability of the coupling structure.



Fiber Type	Part Number	Port-1	Port-2	Port-3	Connector	Fiber Core	TEC
Single Mode	Triplex-WSLX-445/010m-520/010m-635/010m-4-H-T	638nm/10mW	520nm/10mW	445nm/10mW	FC	3um	√
Single Mode	Triplex-WSLX-445/015m-520/015m-635/015m-4-H-T	638nm/15mW	520nm/15mW	445nm/15mW	FC	3um	√
SMF-28	Triplex-WSLX-445/030m-520/030m-635/030m-9-H-T	638nm/30mW	520nm/30mW	445nm/30mW	FC	9um	√
Multimode	Triplex-WSLX-445/050m-520/050m-635/050m-M-H-T	638nm/50mW	520nm/50mW	445nm/50mW	FC	105um	√

Note: √:Yes, ○:Optional, ×:No.

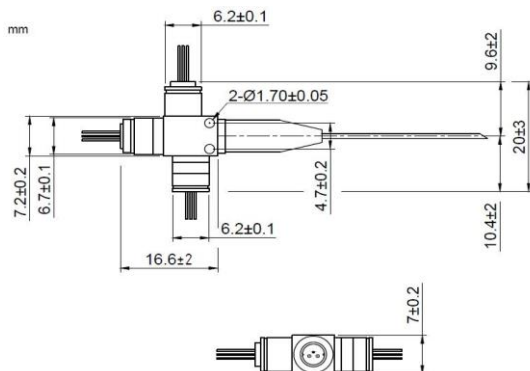
Various Wavelength Optional		
Port-1	405nm 445nm 488nm	Blue Laser
Port-2	505nm 520nm 525nm	Green Laser
Port-3	638nm 658nm 670nm 685nm	Red Laser

Various Fiber Type Optional	
SMF	3um
PMF	3um
MMF	9um 50um 105um 200um

Laser Beam With SMF:



Triplex Package View :



Triplex HHL Package View :

