

Fiber Receptacle Laser Module

PRODUCT FEATURE

405nm~1650nm Optional
 5mW~200mW Output Power
 Suit for 9um/50um/ 105um/200um Fiber Core
 SC/FC/SMA905 Receptacle Connector Optional
 Coaxial Package
 Long Lifetime
 High Stability
 Customized Wavelength/Power/Fiber Core



PRODUCT OVERVIEW

Fiber Receptacle Laser Module is the competitive product of WAVESPECTRUM.

We offer 405nm~1650nm Fiber Receptacle Laser Module, Which is suit for 9um,50um,105um,200um,400um fiber core, the output power ranges from 5mW to 200mW. Meanwhile, the Receptacle Connector can be SC, FC or SMA905. WAVESPECTRUM also offer the Customized Solution for Fiber Receptacle Laser Modules, such as Customized Wavelength, Customized Power and Customized Fiber Core to meet the special needs of customers.

WAVESPECTRUM use laser welding technology to guarantee the long-term reliability of the laser structure. To ensure the long-term reliability, each laser diode will undergo rigorous testing and aging in the factory. Meanwhile the high-low storage temperature circulation is also necessary for each laser diode. We set the storage temperature range from -40°C to +85°C, and it lasts 10 cycles, which will ensure the long-term reliability of the coupling structure.



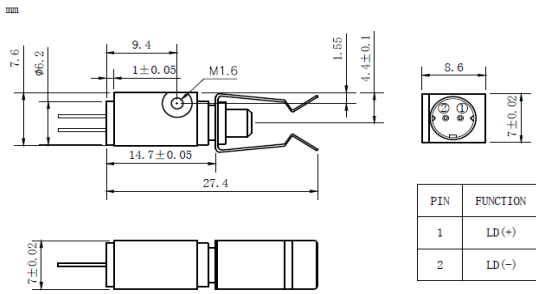
Wavelength	Part Number	Output Power	Receptacle Connector	Fiber Core	Laser Type	PD	Package
405nm	WSLR-405-200m-M	200mW	FC/SC	50um/105um	FP	×	Coaxial
	WSLR-405-300m-M	300mW	FC/SC	50um/105um	FP	×	Coaxial
	WSLR-405-350m-M	350mW	FC/SC	50um/105um	FP	×	Coaxial
445nm	WSLR-445-050m-M	50mW	FC	50um/105um	FP	×	Coaxial
	WSLR-445-001-M	1W	FC/SC	105um	FP	×	Coaxial
488nm	WSLR-488-030m-M	30mW	FC	50um/105um	FP	×	Coaxial
505nm	WSLR-505-050m-M	50mW	FC	50um/105um	FP	×	Coaxial
520nm	WSLR-520-050m-M	50mW	FC	50um/105um	FP	×	Coaxial
	WSLR-520-050m-M-PD	50mW	FC	50um/105um	FP	√	Coaxial
635nm	WSLR-635-005m-M-PD	5mW	FC	50um/105um	FP	√	Coaxial
	WSLR-635-030m-M-PD	30mW	FC	50um/105um	FP	√	Coaxial
	WSLR-635-100m-M	100mW	FC	50um/105um	FP	×	Coaxial
	WSLR-635-250m-M	250mW	FC	105um	FP	×	Coaxial
658nm	WSLR-650-030m-M-PD	30mW	FC	50um/105um	FP	√	Coaxial
	WSLR-650-100m-M	100mW	FC	50um/105um	FP	×	Coaxial
	WSLR-650-120m-M	120mW	FC	50um/105um	FP	×	Coaxial
670nm	WSLR-670-005m-M-PD	5mW	FC	50um/105um	FP	√	Coaxial
685nm	WSLR-685-030m-M-PD	30mW	FC	50um/105um	FP	√	Coaxial
785nm	WSLR-785-050m-M-PD	50mW	FC	50um/105um	FP	√	Coaxial
808nm	WSLR-808-150m-M-PD	150mW	FC	105um	FP	√	Coaxial
	WSLR-808-200m-M-PD	200mW	FC	105um	FP	√	Coaxial
830nm	WSLR-830-100m-M-PD	100mW	FC	50um/105um	FP	√	Coaxial
	WSLR-830-150m-M-PD	150mW	FC	50um/105um	FP	√	Coaxial
850nm	WSLR-850-100m-M-PD	100mW	FC	50um/105um	FP	√	Coaxial
880nm	WSLR-880-005m-M-PD	5mW	FC	50um/105um	FP	√	Coaxial
905nm	WSLR-905-050m-M-PD	50mW	FC	50um/105um	FP	√	Coaxial
940nm	WSLR-940-100m-M-PD	100mW	FC	105um	FP	√	Coaxial
980nm	WSLR-980-100m-M-PD	100mW	FC	105um	FP	√	Coaxial
1064nm	WSLR-1064-030m-M-PD	30mW	FC	50um/105um	FP	√	Coaxial
1270nm	WSLR-1270-002m-9-DFB-PD	2mW	FC/SC	9um	DFB	√	Coaxial
	WSLR-1270-005m-9-DFB-PD	5mW	FC/SC	9um	DFB	√	Coaxial
1290nm	WSLR-1290-002m-9-DFB-PD	2mW	FC/SC	9um	DFB	√	Coaxial
	WSLR-1290-005m-9-DFB-PD	5mW	FC/SC	9um	DFB	√	Coaxial
1310nm	WSLR-1310-001m-9-FP-PD	1mW	FC/SC	9um	FP	√	Coaxial
	WSLR-1310-002m-9-DFB-PD	2mW	FC/SC	9um	DFB	√	Coaxial
	WSLR-1310-005m-9-DFB-PD	5mW	FC/SC	9um	DFB	√	Coaxial
1330nm	WSLR-1330-002m-9-DFB-PD	2mW	FC/SC	9um	DFB	√	Coaxial
	WSLR-1330-005m-9-DFB-PD	5mW	FC/SC	9um	DFB	√	Coaxial
1350nm	WSLR-1350-002m-9-DFB-PD	2mW	FC/SC	9um	DFB	√	Coaxial
	WSLR-1350-005m-9-DFB-PD	5mW	FC/SC	9um	DFB	√	Coaxial

Note: √:Yes, ○:Optional, ×:No.

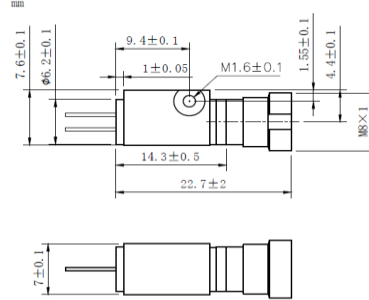
Wavelength	Part Number	Output Power	Receptacle Connector	Fiber Core	Laser Type	PD	Package
1370nm	WSLR-1370-002m-9-DFB-PD	2mW	FC/SC	9um	DFB	√	Coaxial
	WSLR-1370-005m-9-DFB-PD	5mW	FC/SC	9um	DFB	√	Coaxial
1390nm	WSLR-1390-002m-9-DFB-PD	2mW	FC/SC	9um	DFB	√	Coaxial
	WSLR-1390-005m-9-DFB-PD	5mW	FC/SC	9um	DFB	√	Coaxial
1410nm	WSLR-1410-002m-9-DFB-PD	2mW	FC/SC	9um	DFB	√	Coaxial
	WSLR-1410-005m-9-DFB-PD	5mW	FC/SC	9um	DFB	√	Coaxial
1430nm	WSLR-1430-002m-9-DFB-PD	2mW	FC/SC	9um	DFB	√	Coaxial
	WSLR-1430-005m-9-DFB-PD	5mW	FC/SC	9um	DFB	√	Coaxial
1450nm	WSLR-1450-002m-9-DFB-PD	2mW	FC/SC	9um	DFB	√	Coaxial
	WSLR-1450-005m-9-DFB-PD	5mW	FC/SC	9um	DFB	√	Coaxial
1470nm	WSLR-1470-002m-9-DFB-PD	2mW	FC/SC	9um	DFB	√	Coaxial
	WSLR-1470-005m-9-DFB-PD	5mW	FC/SC	9um	DFB	√	Coaxial
1490nm	WSLR-1490-002m-9-DFB-PD	2mW	FC/SC	9um	DFB	√	Coaxial
	WSLR-1490-005m-9-DFB-PD	5mW	FC/SC	9um	DFB	√	Coaxial
1510nm	WSLR-1510-002m-9-DFB-PD	2mW	FC/SC	9um	DFB	√	Coaxial
	WSLR-1510-005m-9-DFB-PD	5mW	FC/SC	9um	DFB	√	Coaxial
1530nm	WSLR-1530-002m-9-DFB-PD	2mW	FC/SC	9um	DFB	√	Coaxial
	WSLR-1530-005m-9-DFB-PD	5mW	FC/SC	9um	DFB	√	Coaxial
1550nm	WSLR-1550-001m-9-FP-PD	1mW	FC/SC	9um	FP	√	Coaxial
	WSLR-1550-002m-9-DFB-PD	2mW	FC/SC	9um	DFB	√	Coaxial
	WSLR-1550-005m-9-DFB-PD	5mW	FC/SC	9um	DFB	√	Coaxial
1570nm	WSLR-1570-002m-9-DFB-PD	2mW	FC/SC	9um	DFB	√	Coaxial
	WSLR-1570-005m-9-DFB-PD	5mW	FC/SC	9um	DFB	√	Coaxial
1590nm	WSLR-1590-002m-9-DFB-PD	2mW	FC/SC	9um	DFB	√	Coaxial
	WSLR-1590-005m-9-DFB-PD	5mW	FC/SC	9um	DFB	√	Coaxial
1610nm	WSLR-1610-002m-9-DFB-PD	2mW	FC/SC	9um	DFB	√	Coaxial
	WSLR-1610-005m-9-DFB-PD	5mW	FC/SC	9um	DFB	√	Coaxial
1625nm	WSLR-1625-002m-9-DFB-PD	2mW	FC/SC	9um	DFB	√	Coaxial
	WSLR-1625-005m-9-DFB-PD	5mW	FC/SC	9um	DFB	√	Coaxial
1650nm	WSLR-1650-002m-9-DFB-PD	2mW	FC/SC	9um	DFB	√	Coaxial
	WSLR-1650-005m-9-DFB-PD	5mW	FC/SC	9um	DFB	√	Coaxial

Note: √:Yes, ○:Optional, ×:No.

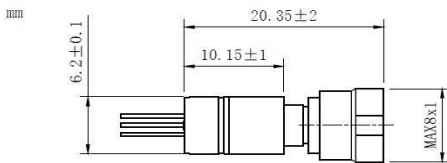
405nm SC Package View :



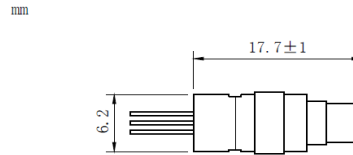
405nm FC Package View :



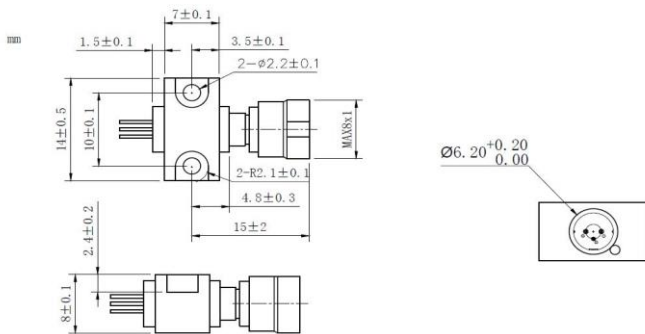
Coaxial FC Package View :



Coaxial TOSA Package View :



B8 FC Package View :



B8 TOSA Package View :

