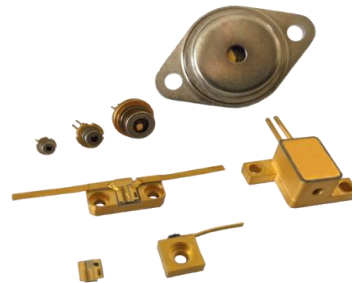


Multi-mode Laser Diode

PRODUCT FEATURE

405nm~1920nm
 Multi-mode Beam Output
 300mW~15W Output Power
 TO18 /TO5 /TO3 /C-mount/E-mount Package
 FAC Lens Optional
 Built-in Photodiode Optional
 Long Lifetime
 High Stability



PRODUCT OVERVIEW

Multi-mode Laser Diode is the competitive product of WAVESPECTRUM.

We offer the high quality laser diode with multi-mode beam, the wavelength range is from 405nm to 1920nm and the output power is from 300mW to 15W. The photodiode is optional for the lasers. Meanwhile, the FAC Lens is optional. With FAC Lens, we can offer 1:1 Square Beam and 1:4 , 1:8 Line Shape Beam. The standard package can be TO18, TO5, TO3, C-mount , E-mount and H-mount package.

WAVESPECTRUM adopt AuSn solder technology to package the laser diode. To ensure the long-term reliability, each laser diode will undergo rigorous testing and aging in factory. Meanwhile the high-low storage temperature circulation is also necessary for each laser diode. We set the storage temperature range from -40°C to +85°C, and it lasts 10 cycles, which will ensure the long-term Stability of Laser Diode.



Wavelength	Part Number	Output Power	Mode Type	Laser Type	Package	PD	FAC
405nm	WSLD-405-300m-1	300mW	MM	FP	TO18	×	×
	WSLD-405-400m-1	400mW	MM	FP	TO18	×	×
445nm	WSLD-445-1500m-1	1.5W	MM	FP	TO18	×	×
	WSLD-445-4500m-2	4.5W	MM	FP	TO5	×	○
	WSLD-445-4500m-K	4.5W	MM	FP	TO5	×	×
	WSLD-445-4500m-2-FAC	4.5W	MM	FP	TO5	×	√
520nm	WSLD-520-001-2	1W	MM	FP	TO5	×	○
	WSLD-520-001-K	1W	MM	FP	TO5	×	×
	WSLD-520-001-2-FAC	1W	MM	FP	TO5	×	√
525nm	WSLD-525-001-2	1W	MM	FP	TO5	×	○
	WSLD-525-001-K	1W	MM	FP	TO5	×	×
	WSLD-525-001-2-FAC	1W	MM	FP	TO5	×	√
635nm	WSLD-635-500m-C	500mW	MM	FP	C-mount	×	○
	WSLD-635-500m-1-FAC	500mW	MM	FP	TO18	×	√
	WSLD-635-700m-1	700mW	MM	FP	TO18	×	×
	WSLD-635-001-2	1W	MM	FP	TO5	×	○
	WSLD-635-002-2	2W	MM	FP	TO5	×	○
	WSLD-635-001-2-FAC	1W	MM	FP	TO5	×	√
	WSLD-635-002-2-FAC	2W	MM	FP	TO5	×	√
658nm	WSLD-650-001-C	1W	MM	FP	C-mount	×	○
	WSLD-650-001-3	1W	MM	FP	TO3	×	○
	WSLD-650-001-E	1W	MM	FP	E-mount	×	○
680nm	WSLD-680-001-C	1W	MM	FP	C-mount	×	○
	WSLD-680-001-3	1W	MM	FP	TO3	×	○
	WSLD-680-001-E	1W	MM	FP	E-mount	×	○
785nm	WSLD-785-003-C	3W	MM	FP	C-mount	×	○
	WSLD-785-003-E	3W	MM	FP	E-mount	×	○
	WSLD-785-003-H	3W	MM	FP	H-mount	×	○
	WSLD-785-005-C	5W	MM	FP	C-mount	×	○
	WSLD-785-005-E	5W	MM	FP	E-mount	×	○
	WSLD-785-005-H	5W	MM	FP	H-mount	×	○
808nm	WSLD-808-300m-1-PD	300mW	MM	FP	TO18	√	×
	WSLD-808-001-2-PD	1W	MM	FP	TO5	√	○
	WSLD-808-002-2	2W	MM	FP	TO5	○	○
	WSLD-808-003-C	3W	MM	FP	C-mount	×	○
	WSLD-808-003-2	3W	MM	FP	TO5	○	○
	WSLD-808-003-3	3W	MM	FP	TO3	×	○
	WSLD-808-005-C	5W	MM	FP	C-mount	×	○
	WSLD-808-005-3	5W	MM	FP	TO3	×	○
	WSLD-808-005-E	5W	MM	FP	E-mount	×	○

Note: √:Yes, ○:Optional, ×:No.

Wavelength	Part Number	Output Power	Mode Type	Laser Type	Package	PD	FAC
808nm	WSLD-808-005-H	5W	MM	FP	H-mount	×	○
	WSLD-808-008-E	8W	MM	FP	E-mount	×	○
	WSLD-808-008-H	8W	MM	FP	H-mount	×	○
	WSLD-808-010-E	10W	MM	FP	E-mount	×	○
	WSLD-808-010-H	10W	MM	FP	H-mount	×	○
830nm	WSLD-830-001-2-PD	1W	MM	FP	TO5	√	○
	WSLD-830-002-2	2W	MM	FP	TO5	○	○
	WSLD-830-003-C	3W	MM	FP	C-mount	×	○
	WSLD-830-003-3	3W	MM	FP	TO3	×	○
	WSLD-830-003-E	3W	MM	FP	E-mount	×	○
	WSLD-830-003-H	3W	MM	FP	H-mount	×	○
850nm	WSLD-850-300m-1-PD	300mW	MM	FP	TO18	√	×
	WSLD-850-500m-1	500mW	MM	FP	TO18	×	×
	WSLD-850-500m-1-PD	500mW	MM	FP	TO18	√	×
	WSLD-850-800m-1	800mW	MM	FP	TO18	×	×
	WSLD-850-001-1	1W	MM	FP	TO18	×	×
860nm	WSLD-860-001-2-PD	1W	MM	FP	TO5	√	○
	WSLD-860-002-2	2W	MM	FP	TO5	○	○
	WSLD-860-003-2	3W	MM	FP	TO5	○	○
	WSLD-860-003-3	3W	MM	FP	TO3	×	○
	WSLD-860-003-C	3W	MM	FP	C-mount	×	○
	WSLD-860-003-E	3W	MM	FP	E-mount	×	○
880nm	WSLD-880-003-C	3W	MM	FP	C-mount	×	○
	WSLD-880-003-3	3W	MM	FP	TO3	×	○
	WSLD-880-003-E	3W	MM	FP	E-mount	×	○
	WSLD-880-003-H	3W	MM	FP	H-mount	×	○
	WSLD-880-008-E	8W	MM	FP	E-mount	×	○
	WSLD-880-008-H	8W	MM	FP	H-mount	×	○
915nm	WSLD-915-012-E	12W	MM	FP	E-mount	×	○
	WSLD-915-012-H	12W	MM	FP	H-mount	×	○
	WSLD-915-015-E	15W	MM	FP	E-mount	×	○
	WSLD-915-015-H	15W	MM	FP	H-mount	×	○
940nm	WSLD-940-001-2-PD	1W	MM	FP	TO5	√	○
	WSLD-940-002-2	2W	MM	FP	TO5	○	○
	WSLD-940-003-C	3W	MM	FP	C-mount	×	○
	WSLD-940-003-3	3W	MM	FP	TO3	×	○
	WSLD-940-005-C	5W	MM	FP	C-mount	×	○
	WSLD-940-005-3	5W	MM	FP	TO3	×	○
	WSLD-940-012-E	12W	MM	FP	E-mount	×	○
	WSLD-940-012-H	12W	MM	FP	H-mount	×	○

Note: √:Yes, ○:Optional, ×:No.

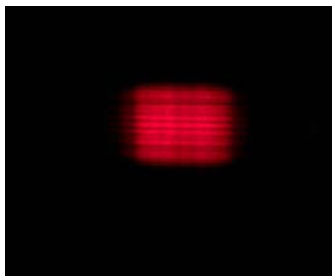
Wavelength	Part Number	Output Power	Mode Type	Laser Type	Package	PD	FAC
940nm	WSLD-940-015-E	15W	MM	FP	E-mount	×	○
	WSLD-940-015-H	15W	MM	FP	H-mount	×	○
980nm	WSLD-980-200m-1-PD	200mW	MM	FP	TO18	√	×
	WSLD-980-001-2-PD	1W	MM	FP	TO5	√	○
	WSLD-980-002-2	2W	MM	FP	TO5	○	○
	WSLD-980-003-C	3W	MM	FP	C-mount	×	○
	WSLD-980-003-3	3W	MM	FP	TO3	×	○
	WSLD-980-004-C	4W	MM	FP	C-mount	×	○
	WSLD-980-004-3	4W	MM	FP	TO3	×	○
	WSLD-980-005-C	5W	MM	FP	C-mount	×	○
	WSLD-980-005-3	5W	MM	FP	TO3	×	○
	WSLD-980-012-E	12W	MM	FP	E-mount	×	○
	WSLD-980-012-H	12W	MM	FP	H-mount	×	○
	WSLD-980-015-E	15W	MM	FP	E-mount	×	○
	WSLD-980-015-H	15W	MM	FP	H-mount	×	○
	1064nm	WSLD-1064-008-E	8W	MM	FP	E-mount	×
WSLD-1064-008-H		8W	MM	FP	H-mount	×	○
WSLD-1064-010-E		10W	MM	FP	E-mount	×	○
WSLD-1064-010-H		10W	MM	FP	H-mount	×	○
1210nm	WSLD-1210-1500m-C	1.5W	MM	FP	C-mount	×	○
	WSLD-1210-1500m-3	1.5W	MM	FP	TO3	×	○
	WSLD-1210-1500m-E	1.5W	MM	FP	E-mount	×	○
	WSLD-1210-1500m-H	1.5W	MM	FP	H-mount	×	○
1280nm	WSLD-1280-1500m-C	1.5W	MM	FP	C-mount	×	○
	WSLD-1280-1500m-3	1.5W	MM	FP	TO3	×	○
	WSLD-1280-1500m-E	1.5W	MM	FP	E-mount	×	○
	WSLD-1280-1500m-H	1.5W	MM	FP	H-mount	×	○
1310nm	WSLD-1310-1500m-C	1.5W	MM	FP	C-mount	×	○
	WSLD-1310-1500m-3	1.5W	MM	FP	TO3	×	○
	WSLD-1310-1500m-E	1.5W	MM	FP	E-mount	×	○
	WSLD-1310-1500m-H	1.5W	MM	FP	H-mount	×	○
1330nm	WSLD-1330-1500m-C	1.5W	MM	FP	C-mount	×	○
	WSLD-1330-1500m-3	1.5W	MM	FP	TO3	×	○
	WSLD-1330-1500m-E	1.5W	MM	FP	E-mount	×	○
	WSLD-1330-1500m-H	1.5W	MM	FP	H-mount	×	○
1450nm	WSLD-1450-002-E	2W	MM	FP	E-mount	×	○
	WSLD-1450-002-H	2W	MM	FP	H-mount	×	○
1470nm	WSLD-1470-001-C	1W	MM	FP	C-mount	×	○
	WSLD-1470-001-3	1W	MM	FP	TO3	×	○
	WSLD-1470-003-E	3W	MM	FP	E-mount	×	○

Note: √:Yes, ○:Optional, ×:No.

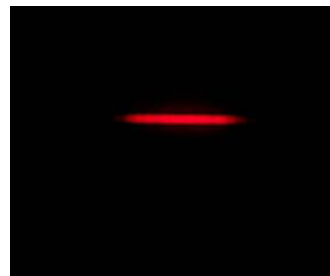
Wavelength	Part Number	Output Power	Mode Type	Laser Type	Package	PD	FAC
1470nm	WSLD-1470-003-H	3W	MM	FP	H-mount	×	○
1490nm	WSLD-1490-2500m-C	2.5W	MM	FP	C-mount	×	○
	WSLD-1490-2500m-3	2.5W	MM	FP	TO3	×	○
	WSLD-1490-2500m-E	2.5W	MM	FP	E-mount	×	○
	WSLD-1490-2500m-H	2.5W	MM	FP	H-mount	×	○
1530nm	WSLD-1530-002-E	2W	MM	FP	E-mount	×	○
	WSLD-1530-002-H	2W	MM	FP	H-mount	×	○
1550nm	WSLD-1550-003-E	3W	MM	FP	E-mount	×	○
	WSLD-1550-003-H	3W	MM	FP	H-mount	×	○
1720nm	WSLD-1720-001-C	1W	MM	FP	C-mount	×	○
	WSLD-1720-001-3	1W	MM	FP	TO3	×	○
	WSLD-1720-001-E	1W	MM	FP	E-mount	×	○
	WSLD-1720-001-H	1W	MM	FP	H-mount	×	○
1900nm	WSLD-1900-700m-C	700mW	MM	FP	C-mount	×	○
	WSLD-1900-700m-3	700mW	MM	FP	TO3	×	○
	WSLD-1900-700m-E	700mW	MM	FP	E-mount	×	○
	WSLD-1900-700m-H	700mW	MM	FP	H-mount	×	○
1920nm	WSLD-1920-700m-C	700mW	MM	FP	C-mount	×	○
	WSLD-1920-700m-3	700mW	MM	FP	TO3	×	○
	WSLD-1920-700m-E	700mW	MM	FP	E-mount	×	○
	WSLD-1920-700m-H	700mW	MM	FP	H-mount	×	○

Note: √:Yes, ○:Optional, ×:No.

Beam Spot Shape:

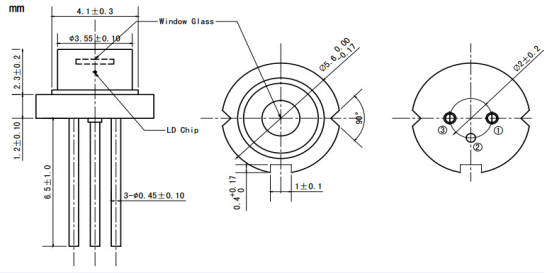


With FAC lens (1:1)

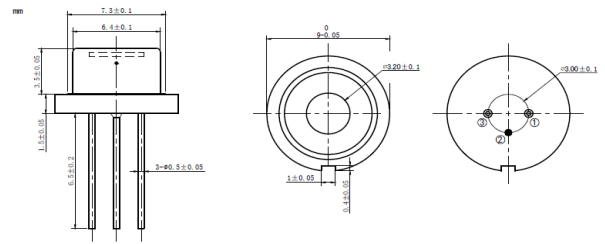


With FAC lens (1:4)

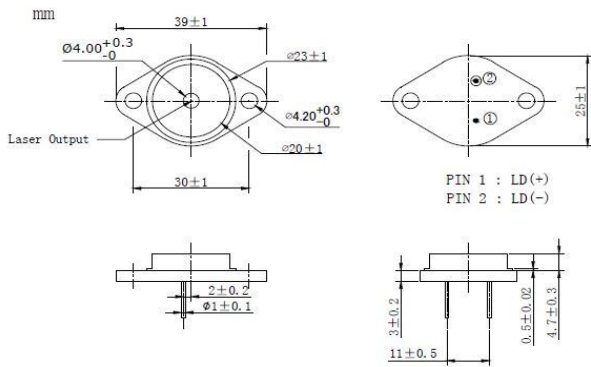
TO18 Package View :



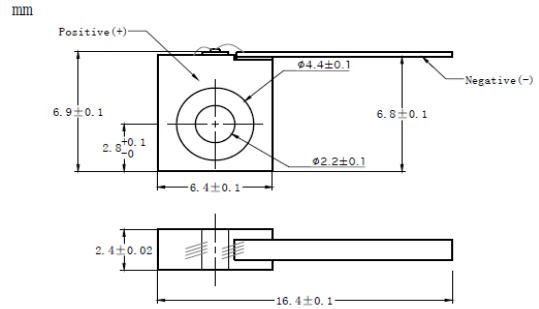
TO5 Package View :



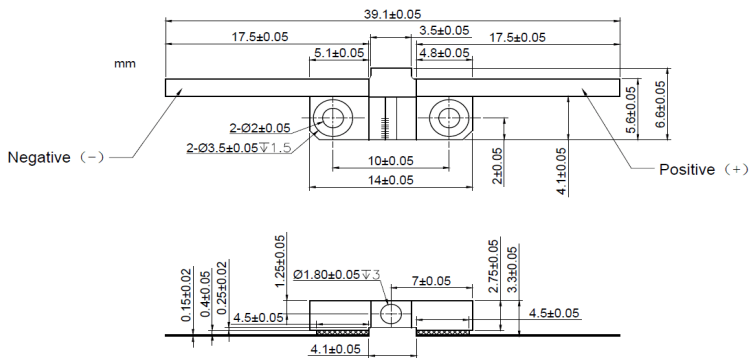
TO3 Package View :



C-mount Package View :



E-mount Package View :



H-mount Package View (Window Package) :

