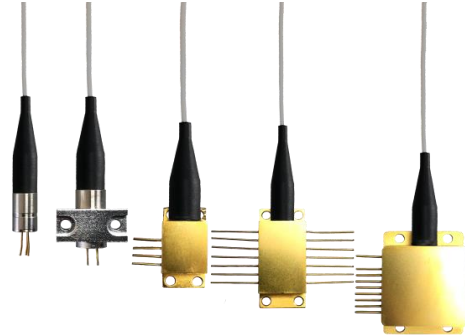


Multi-mode Fiber Coupled Laser Module

PRODUCT FEATURE

405nm~1920nm
 5mW~50W Output Power
 50um/ 105um/ 200um/ 400um Fiber Core
 Coaxial/ 2-PIN/ 4-PIN/ 14-PIN/ 9-PIN Package
 Built-in TE Cooler Optional
 Built-in Photodiode Optional
 Red/Green Aiming Beam Optional for IR LASER
 Long Lifetime
 High Stability
 Customized Wavelength
 Customized Output Power
 Customized Fiber Core



PRODUCT OVERVIEW

Multi-mode Fiber Coupled Laser Module is the competitive product of WAVESPECTRUM.

We offer High Coupling Efficient Solution for 405nm~1920nm Pigtailed Laser Module with 50um,105um,200um,400um Fiber Core, the output power ranges from 5mW to 50W. Meanwhile, the TE Cooler and Photodiode is optional for customers, the Green or Red Aiming Beam is also optional for IR Lasers. We can integrate these functions into the Laser Module as per customer's requirement. The standard package of the lasers can be Coaxial,2-PIN,4-PIN,14-PIN and 9-PIN.

WAVESPECTRUM also offer the Customized Solution for Pigtailed Laser Modules, such as Customized Wavelength, Customized Power, Customized Fiber Core and Customized Package to meet the special needs of customers.

WAVESPECTRUM use laser welding technology to guarantee the long-term reliability of the laser structure. To ensure the long-term reliability, each laser diode will undergo rigorous testing and aging in the factory. Meanwhile the high-low storage temperature circulation is also necessary for each laser diode. We set the storage temperature range from -40°C to +85°C, and it lasts 10 cycles, which will ensure the long-term reliability of the coupling structure.



Wavelength	Part Number	Output Power	Fiber Type	Fiber Core	Package	Connector	PD	TEC
405nm	WSP-405-005m-M-PD	5mW	MMF	UV 50um	Coaxial	FC	√	×
	WSP-405-200m-50M	200mW	MMF	UV 50um	Coaxial	FC	×	×
	WSLX-405-200m-50M-H-T	200mW	MMF	UV 50um	HHL-01	FC	○	√
	WSLX-405-200m-50M-H14-T-PD	200mW	MMF	UV 50um	14-Pin	FC	√	√
	WSP-405-200m-105M	200mW	MMF	UV 105um	Coaxial	FC	×	×
	WSLX-405-200m-105M-H-T	200mW	MMF	UV 105um	HHL-01	FC	○	√
	WSP-405-300m-50M	300mW	MMF	UV 50um	Coaxial	FC	×	×
	WSLX-405-300m-50M-H-T	300mW	MMF	UV 50um	HHL-01	FC	○	√
	WSP-405-300m-105M	300mW	MMF	UV 105um	Coaxial	FC	×	×
	WSLX-405-300m-105M-H-T	300mW	MMF	UV 105um	HHL-01	FC	○	√
	WSLX-405-300m-105M-H14-T-PD	300mW	MMF	UV 105um	14-Pin	FC	√	√
	WSP-405-350m-50M	350mW	MMF	UV 50um	Coaxial	FC	×	×
	WSLX-405-350m-50M-H-T	350mW	MMF	UV 50um	HHL-01	FC	○	√
	WSP-405-350m-105M	350mW	MMF	UV 105um	Coaxial	FC	×	×
	WSLX-405-350m-105M-H-T	350mW	MMF	UV 105um	HHL-01	FC	○	√
445nm	WSP-445-050m-M	50mW	MMF	UV 105um	Coaxial	FC	×	×
	WSLX-445-050m-M-H8-T	50mW	MMF	UV 105um	8-Pin	FC	○	√
	WSLX-445-050m-M-H8-T-PD	50mW	MMF	UV 105um	8-Pin	FC	√	√
	WSP-445-080m-M	80mW	MMF	UV 105um	Coaxial	FC	×	×
	WSLX-445-080m-M-H8-T	80mW	MMF	UV 105um	8-Pin	FC	○	√
	WSP-445-800m-M	800mW	MMF	UV 105um	Coaxial	FC	×	×
	WSLX-445-800m-M-H14-T-PD	800mW	MMF	UV 105um	14-Pin	FC	√	√
	WSP-445-001-M	1W	MMF	UV 105um	Coaxial	FC	×	×
	WSLX-445-001-M-H-T	1W	MMF	UV 105um	HHL-01	FC	○	√
	WSP-445-3500m-105M	3.5W	MMF	105um	Coaxial	FC	×	×
	WSP-445-3500m-200M	3.5W	MMF	200um	Coaxial	FC	×	×
	WSLX-445-3500m-105M-H9-T-PD	3.5W	MMF	105um	9-Pin	FC	√	√
	WSLX-445-3500m-200M-H9-T-PD	3.5W	MMF	200um	9-Pin	FC	√	√
	WSLX-445-010-200M-H	10W	MMF	200um	P4	FC	○	○
	WSLX-445-020-400M-H	20W	MMF	400um	P5	FC	○	○
465nm	WSP-465-002-M	2W	MMF	105um	Coaxial	FC	×	×
	WSLX-465-002-M-H9-T-PD	2W	MMF	105um	9-Pin	FC	√	√
	WSLX-465-007-200M-H	7W	MMF	200um	P4	FC	○	○
	WSLX-465-015-400M-H	15W	MMF	400um	P5	FC	○	○
488nm	WSP-488-030m-M	30mW	MMF	105um	Coaxial	FC	×	×
	WSLX-488-030m-M-H8-T	30mW	MMF	105um	8-Pin	FC	○	√
	WSLX-488-030m-M-H8-T-PD	30mW	MMF	105um	8-Pin	FC	√	√
	WSP-488-040m-M	40mW	MMF	105um	Coaxial	FC	×	×
	WSLX-488-040m-M-H8-T	40mW	MMF	105um	8-Pin	FC	○	√
505nm	WSP-505-020m-M-PD	20mW	MMF	105um	Coaxial	FC	√	×

Note: √:Yes, ○:Optional, ×:No.

Wavelength	Part Number	Output Power	Fiber Type	Fiber Core	Package	Connector	PD	TEC
505nm	WSLX-505-020m-M-H8-T-PD	20mW	MMF	105um	8-Pin	FC	√	√
	WSLP-505-030m-M	30mW	MMF	105um	Coaxial	FC	×	×
	WSLX-505-030m-M-H8-T	30mW	MMF	105um	8-Pin	FC	○	√
	WSLP-505-050m-M	50mW	MMF	105um	Coaxial	FC	×	×
	WSLX-505-050m-M-H8-T	50mW	MMF	105um	8-Pin	FC	○	√
520nm	WSLP-520-030m-M-PD	30mW	MMF	105um	Coaxial	FC	√	×
	WSLX-520-030m-M-H8-T-PD	30mW	MMF	105um	8-Pin	FC	√	√
	WSLP-520-050m-M-PD	50mW	MMF	105um	Coaxial	FC	√	×
	WSLX-520-050m-M-H8-T-PD	50mW	MMF	105um	8-Pin	FC	√	√
	WSLP-520-700m-50M	700mW	MMF	50um	Coaxial	FC	×	×
	WSLX-520-700m-50M-H9-T-PD	700mW	MMF	50um	9-Pin	FC	√	√
	WSLP-520-700m-105M	700mW	MMF	105um	Coaxial	FC	×	×
	WSLX-520-700m-105M-H9-T-PD	700mW	MMF	105um	9-Pin	FC	√	√
	WSLX-520-002-105M-H	2W	MMF	105um	P4	FC	○	○
	WSLX-520-005-400M-H	5W	MMF	400um	P5	FC	○	○
525nm	WSLP-525-700m-50M	700mW	MMF	50um	Coaxial	FC	×	×
	WSLX-525-700m-50M-H9-T-PD	700mW	MMF	50um	9-Pin	FC	√	√
	WSLP-525-700m-105M	700mW	MMF	105um	Coaxial	FC	×	×
	WSLX-525-700m-105M-H9-T-PD	700mW	MMF	105um	9-Pin	FC	√	√
	WSLX-525-002-200M-H	2W	MMF	200um	P4	FC	○	○
	WSLX-525-005-400M-H	5W	MMF	400um	P5	FC	○	○
635nm	WSLP-635-005m-M-PD	5mW	MMF	105um	Coaxial	FC	√	×
	WSLP-635-100m-M	100mw	MMF	105um	Coaxial	FC	×	×
	WSLX-635-100m-M-H8-T	100mW	MMF	105um	8-Pin	FC	○	√
	WSLX-635-100m-M-H8-T-PD	100mW	MMF	105um	8-Pin	FC	√	√
	WSLP-635-150m-M	150mW	MMF	105um	Coaxial	FC	×	×
	WSLX-635-150m-M-H8-T	150mW	MMF	105um	8-Pin	FC	○	√
	WSLP-635-200m-M	200mW	MMF	105um	Coaxial	FC	×	×
	WSLX-635-200m-M-H8-T	200mW	MMF	105um	8-Pin	FC	○	√
	WSLP-635-300m-M	300mW	MMF	105um	Coaxial	FC	×	×
	WSLX-635-300m-M-H8-T	300mW	MMF	105um	8-Pin	FC	○	√
	WSLX-635-400m-M-H4	400mW	MMF	105um	4-Pin	FC	○	×
	WSLX-635-400m-M-H14-T-PD	400mW	MMF	105um	14-Pin	FC	√	√
	WSLP-635-800m-50M	800mW	MMF	50um	Coaxial	FC	×	×
	WSLX-635-800m-50M-H9-T-PD	800mW	MMF	50um	9-Pin	FC	√	√
	WSLP-635-001-M	1W	MMF	105um	Coaxial	FC	×	×
	WSLX-635-001-M-H9-T-PD	1W	MMF	105um	9-Pin	FC	√	√
	WSLP-635-1800m-M	1.8W	MMF	200um	Coaxial	FC	×	×
	WSLX-635-1800m-M-H9-T-PD	1.8W	MMF	200um	9-Pin	FC	√	√
658nm	WSLP-650-030m-M-PD	30mW	MMF	105um	Coaxial	FC	√	×

Note: √:Yes, ○:Optional, ×:No.

Wavelength	Part Number	Output Power	Fiber Type	Fiber Core	Package	Connector	PD	TEC
658nm	WSLX-650-030m-M-H8-T-PD	30mW	MMF	105um	8-Pin	FC	√	√
	WSLP-650-050m-M-PD	50mW	MMF	105um	Coaxial	FC	√	×
	WSLX-650-050m-M-H8-T-PD	50mW	MMF	105um	8-Pin	FC	√	√
	WSLP-650-100m-M	100mW	MMF	105um	Coaxial	FC	×	×
	WSLX-650-100m-M-H8-T	100mW	MMF	105um	8-Pin	FC	○	√
	WSLX-650-100m-M-H8-T-PD	100mW	MMF	105um	8-Pin	FC	√	√
	WSLP-650-150m-M	150mW	MMF	105um	Coaxial	FC	×	×
	WSLX-650-150m-M-H8-T	150mW	MMF	105um	8-Pin	FC	○	√
	WSLX-650-800m-M-H4	800mw	MMF	105um	4-Pin	FC	○	×
	WSLX-650-800m-M-H9-T-PD	800mw	MMF	105um	9-Pin	FC	√	√
670nm	WSLP-670-005m-M-PD	5mW	MMF	105um	Coaxial	FC	√	×
	WSLX-670-005m-M-H8-T-PD	5mW	MMF	105um	8-Pin	FC	√	√
	WSLP-670-010m-M-PD	10mW	MMF	105um	Coaxial	FC	√	×
	WSLX-670-010m-M-H8-T-PD	10mW	MMF	105um	8-Pin	FC	√	√
680nm	WSLX-680-800m-M-H4	800mW	MMF	105um	4-Pin	FC	○	×
	WSLX-680-800m-M-H9-T-PD	800mW	MMF	105um	9-Pin	FC	√	√
685nm	WSLP-685-030m-M-PD	30mW	MMF	105um	Coaxial	FC	√	×
	WSLX-685-030m-M-H8-T-PD	30mW	MMF	105um	8-Pin	FC	√	√
760nm	WSLX-760-1500m-M-H2	1.5W	MMF	105um	2-Pin	FC	×	×
	WSLX-760-1500m-M-H14-T-PD	1.5W	MMF	105um	14-Pin	FC	√	√
785nm	WSLP-785-015m-M-PD	15mW	MMF	105um	Coaxial	FC	√	×
	WSLX-785-015m-M-H8-T-PD	15mW	MMF	105um	8-Pin	FC	√	√
	WSLP-785-050m-M-PD	50mW	MMF	105um	Coaxial	FC	√	×
	WSLX-785-050m-M-H8-T-PD	50mW	MMF	105um	8-Pin	FC	√	√
	WSLP-785-080m-M-PD	80mw	MMF	105um	Coaxial	FC	√	×
	WSLX-785-080m-M-H8-T-PD	80mW	MMF	105um	8-Pin	FC	√	√
	WSLP-785-100m-M-PD	100mw	MMF	105um	Coaxial	FC	√	×
	WSLX-785-100m-M-H8-T-PD	100mW	MMF	105um	8-Pin	FC	√	√
	WSLX-785-001-M-H14-T-PD	1W	MMF	105um	14-Pin	FC	√	√
	WSLX-785-003-M-H2	3W	MMF	105um	2-Pin	FC	×	×
	WSLX-785-003-M-H9-T-PD	3W	MMF	105um	9-Pin	FC	√	√
808nm	WSLP-808-150m-M-PD	150mW	MMF	62.5um	Coaxial	FC	√	×
	WSLX-808-150m-M-H8-T-PD	150mW	MMF	62.5um	8-Pin	FC	√	√
	WSLP-808-200m-M-PD	200mW	MMF	105um	Coaxial	FC	√	×
	WSLX-808-200m-M-H8-T-PD	200mW	MMF	105um	8-Pin	FC	√	√
	WSLP-808-700m-M	700mW	MMF	105um	Coaxial	FC	○	×
	WSLX-808-002-M-H14-T-PD	2W	MMF	105um	14-Pin	FC	√	√
	WSLX-808-2500m-M-H2	2.5W	MMF	105um	2-Pin	FC	×	×
	WSLX-808-004-M-H2	4W	MMF	105um	2-Pin	FC	×	×
	WSLX-808-004-M-H9-T-PD	4W	MMF	105um	9-Pin	FC	√	√

Note: √:Yes, ○:Optional, ×:No.

Wavelength	Part Number	Output Power	Fiber Type	Fiber Core	Package	Connector	PD	TEC
808nm	WSLX-808-005-M-H2	5W	MMF	105um	2-Pin	FC	×	×
	WSLX-808-008-M-H2	8W	MMF	105um	2-Pin	FC	×	×
	WSLX-808-008-M-H9-T-PD	8W	MMF	105um	9-Pin	FC	√	√
830nm	WSLP-830-120m-M-PD	120mW	MMF	105um	Coaxial	FC	√	×
	WSLX-830-120m-M-H8-T-PD	120mW	MMF	105um	8-Pin	FC	√	√
	WSLP-830-150m-M-PD	150mW	MMF	105um	Coaxial	FC	√	×
	WSLX-830-150m-M-H8-T-PD	150mW	MMF	105um	8-Pin	FC	√	√
	WSLP-830-700m-M	700mW	MMF	105um	Coaxial	FC	○	×
	WSLX-830-001-M-H2	1W	MMF	50um	2-Pin	FC	×	×
	WSLX-830-002-M-H4	2W	MMF	50um	4-Pin	FC	○	×
	WSLX-830-002-50M-H14-T-PD	2W	MMF	50um	14-Pin	FC	√	√
	WSLX-830-002-105M-H14-T-PD	2W	MMF	105um	14-Pin	FC	√	√
	WSLX-830-003-M-H2	3W	MMF	105um	2-Pin	FC	×	×
850nm	WSLP-850-050m-M-PD	50mW	MMF	105um	Coaxial	FC	√	×
	WSLX-850-050m-M-H8-T-PD	50mW	MMF	105um	8-Pin	FC	√	√
	WSLP-850-150m-M-PD	150mW	MMF	105um	Coaxial	FC	√	×
	WSLX-850-150m-M-H8-T-PD	150mW	MMF	105um	8-Pin	FC	√	√
	WSLP-850-200m-M-PD	200mW	MMF	105um	Coaxial	FC	√	×
	WSLX-850-200m-M-H8-T-PD	200mW	MMF	105um	8-Pin	FC	√	√
860nm	WSLP-860-700m-M	700mW	MMF	105um	Coaxial	FC	○	×
	WSLX-860-002-M-H4	2W	MMF	105um	4-Pin	FC	○	×
	WSLX-860-002-M-H14-T-PD	2W	MMF	105um	14-Pin	FC	√	√
880nm	WSLP-880-005m-M-PD	5mW	MMF	105um	Coaxial	FC	√	×
	WSLX-880-005m-M-H8-T-PD	5mW	MMF	105um	8-Pin	FC	√	√
	WSLX-880-002-M-H14-T-PD	2W	MMF	105um	14-Pin	FC	√	√
	WSLX-880-003-M-H2	3W	MMF	105um	2-Pin	FC	×	×
905nm	WSLP-905-050m-M-PD	50mW	MMF	105um	Coaxial	FC	√	×
	WSLX-905-050m-M-H8-T-PD	50mW	MMF	105um	8-Pin	FC	√	√
915nm	WSLX-915-010-M-H2	10W	MMF	105um	2-Pin	FC	×	×
	WSLX-915-012-M-H2	12W	MMF	105um	2-Pin	FC	×	×
940nm	WSLP-940-100m-M-PD	100mw	MMF	105um	Coaxial	FC	√	×
	WSLX-940-100m-M-H8-T-PD	100mW	MMF	105um	8-Pin	FC	√	√
	WSLP-940-150m-M-PD	150mW	MMF	105um	Coaxial	FC	√	×
	WSLX-940-150m-M-H8-T-PD	150mW	MMF	105um	8-Pin	FC	√	√
	WSLP-940-700m-M	700mW	MMF	105um	Coaxial	FC	○	×
	WSLX-940-002-M-H14-T-PD	2W	MMF	105um	14-Pin	FC	√	√
	WSLX-940-003-M-H2	3W	MMF	105um	2-Pin	FC	×	×
	WSLX-940-004-M-H9-T-PD	4W	MMF	105um	9-Pin	FC	√	√
	WSLX-940-010-M-H2	10W	MMF	105um	2-Pin	FC	×	×
	WSLX-940-012-M-H2	12W	MMF	105um	2-Pin	FC	×	×

Note: √:Yes, ○:Optional, ×:No.

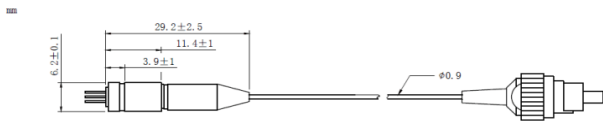
Wavelength	Part Number	Output Power	Fiber Type	Fiber Core	Package	Connector	PD	TEC
980nm	WSLP-980-030m-M-PD	30mw	MMF	105um	Coaxial	FC	√	×
	WSLP-980-100m-M-PD	100mw	MMF	105um	Coaxial	FC	√	×
	WSLX-980-100m-M-H8-T-PD	100mW	MMF	105um	8-Pin	FC	√	√
	WSLP-980-150m-M-PD	150mw	MMF	105um	Coaxial	FC	√	×
	WSLX-980-150m-M-H8-T-PD	150mW	MMF	105um	8-Pin	FC	√	√
	WSLP-980-700m-M	700mw	MMF	105um	Coaxial	FC	○	×
	WSLX-980-002-M-H14-T-PD	2W	MMF	105um	14-Pin	FC	√	√
	WSLX-980-003-M-H2	3W	MMF	105um	2-Pin	FC	×	×
	WSLX-980-004-M-H9-T-PD	4W	MMF	105um	9-Pin	FC	√	√
	WSLX-980-010-M-H2	10W	MMF	105um	2-Pin	FC	×	×
	WSLX-980-012-M-H2	12W	MMF	105um	2-Pin	FC	×	×
1064nm	WSLP-1064-030m-M-PD	30mW	MMF	105um	Coaxial	FC	√	×
	WSLX-1064-030m-M-H8-T-PD	30mW	MMF	105um	8-Pin	FC	√	√
	WSLP-1064-100m-M-PD	100mW	MMF	105um	Coaxial	FC	√	×
	WSLX-1064-100m-M-H-T-PD	100mW	MMF	105um	HHL-01	FC	√	√
	WSLX-1064-001-M-H14-T-PD	1W	MMF	105um	14-Pin	FC	√	√
	WSLX-1064-004-M-H2	4W	MMF	105um	2-Pin	FC	×	×
	WSLX-1064-004-M-H9-T-PD	4W	MMF	105um	9-Pin	FC	√	√
	WSLX-1064-007-M-H2	7W	MMF	105um	2-Pin	FC	×	×
1210nm	WSLX-1210-001-M-H14-T-PD	1W	MMF	105um	14-Pin	FC	√	√
	WSLX-1210-1200m-M-H2	1.2W	MMF	105um	2-Pin	FC	×	×
1280nm	WSLX-1280-001-M-H14-T-PD	1W	MMF	105um	14-Pin	FC	√	√
	WSLX-1280-1200m-M-H2	1.2W	MMF	105um	2-Pin	FC	×	×
1310nm	WSLX-1310-001-M-H14-T-PD	1W	MMF	105um	14-Pin	FC	√	√
	WSLX-1310-1200m-M-H2	1.2W	MMF	105um	2-Pin	FC	×	×
1330nm	WSLX-1330-001-M-H14-T-PD	1W	MMF	105um	14-Pin	FC	√	√
	WSLX-1330-1200m-M-H2	1.2W	MMF	105um	2-Pin	FC	×	×
1450nm	WSLX-1450-002-M-H2	2W	MMF	105um	2-Pin	FC	×	×
	WSLX-1450-002-M-H9-T-PD	2W	MMF	105um	9-Pin	FC	√	√
1470nm	WSLX-1470-800m-M-H14-T-PD	800mW	MMF	105um	14-Pin	FC	√	√
	WSLX-1470-001-M-H2	1W	MMF	105um	2-Pin	FC	×	×
	WSLX-1470-002-M-H9-T-PD	2W	MMF	105um	9-Pin	FC	√	√
	WSLX-1470-2500m-M-H2	2.5W	MMF	105um	2-Pin	FC	×	×
1490nm	WSLX-1490-1500m-M-H9-T-PD	1.5W	MMF	105um	9-Pin	FC	√	√
	WSLX-1490-002-M-H2	2W	MMF	105um	2-Pin	FC	×	×
1530nm	WSLX-1530-002-M-H2	2W	MMF	105um	2-Pin	FC	×	×
	WSLX-1530-002-M-H9-T-PD	2W	MMF	105um	9-Pin	FC	√	√
1550nm	WSLX-1550-002-M-H9-T-PD	2W	MMF	105um	9-Pin	FC	√	√
	WSLX-1550-2500m-M-H2	2.5W	MMF	105um	2-Pin	FC	×	×
1720nm	WSLX-1720-800m-M-H9-T-PD	800mW	MMF	105um	9-Pin	FC	√	√

Note: √:Yes, ○:Optional, ×:No.

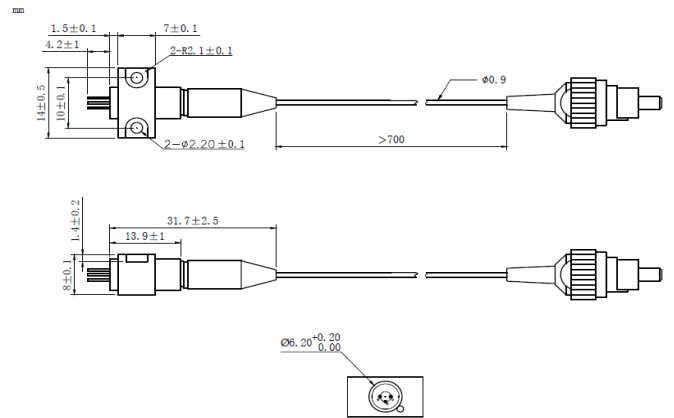
Wavelength	Part Number	Output Power	Fiber Type	Fiber Core	Package	Connector	PD	TEC
1720nm	WSLX-1720-001-M-H2	1W	MMF	105um	2-Pin	FC	×	×
1900nm	WSLX-1900-500m-M-H2	500mW	MMF	105um	2-Pin	FC	×	×
	WSLX-1900-500m-M-H9-T-PD	500mW	MMF	105um	9-Pin	FC	√	√
1920nm	WSLX-1920-500m-M-H2	500mW	MMF	105um	2-Pin	FC	×	×
	WSLX-1920-500m-M-H9-T-PD	500mW	MMF	105um	9-Pin	FC	√	√

Note: √:Yes, ○:Optional, ×:No.

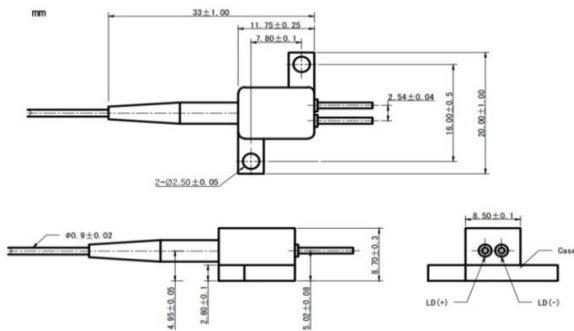
Coaxial Package View:



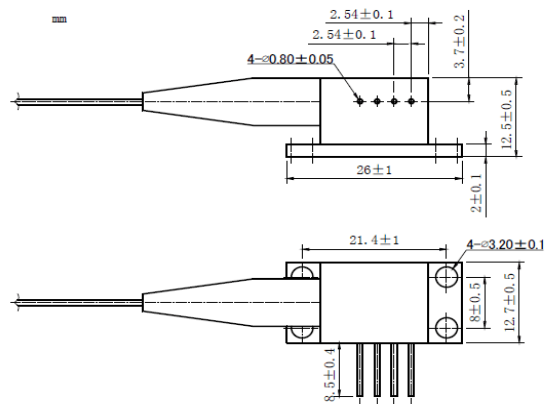
B8 Package View (with heat-sink) :



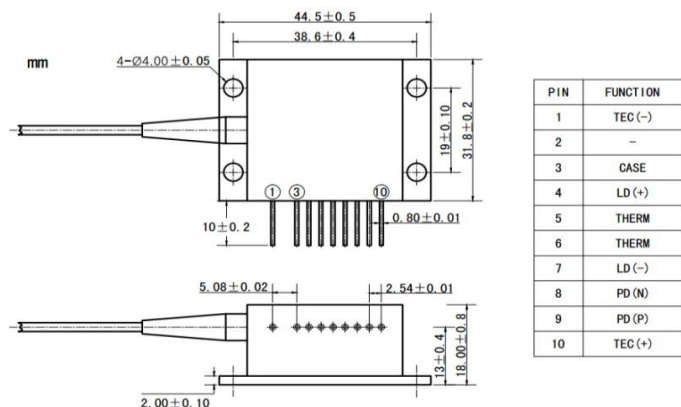
2-Pin Package View :



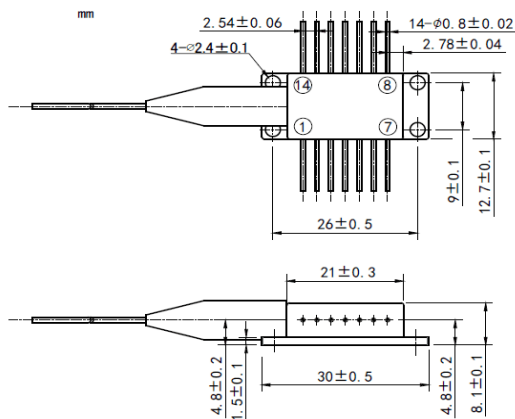
4-Pin Package View :



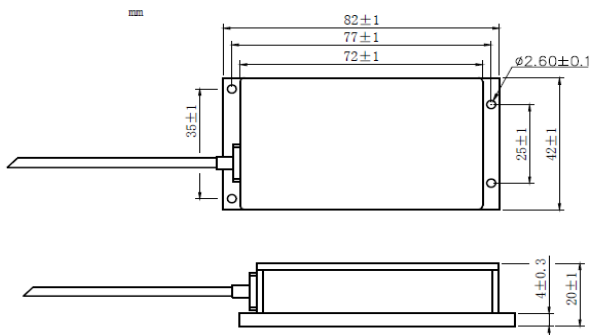
9-Pin Package View :



14-Pin Package View :



P4 Package View :



P5 Package View :

