

Single Mode Laser Diode

PRODUCT FEATURE

405nm~1650nm
 Single Mode Beam Output
 10mW~300mW Output Power
 TO38 / TO18 / TO5 Package
 Built-in Photodiodes Optional
 Long Lifetime
 High Stability



PRODUCT OVERVIEW

Single Mode Laser Diode is the competitive product of WAVESPECTRUM.

We offer the high quality Laser Diode with single mode beam, the wavelength range is from 405nm to 1650nm and the output power ranges from 5mW to 300mW. The photodiode is optional for customers. Now the standard package can be TO38, TO18 and TO5 Package.

WAVESPECTRUM adopt AuSn solder technology to package the laser diode. To ensure the long-term reliability, each laser diode will undergo rigorous testing and aging in factory. Meanwhile the high-low storage temperature circulation is also necessary for each laser diode. We set the storage temperature range from -40°C to +85°C, and it lasts 10 cycles, which will ensure the long-term stability of laser diode.



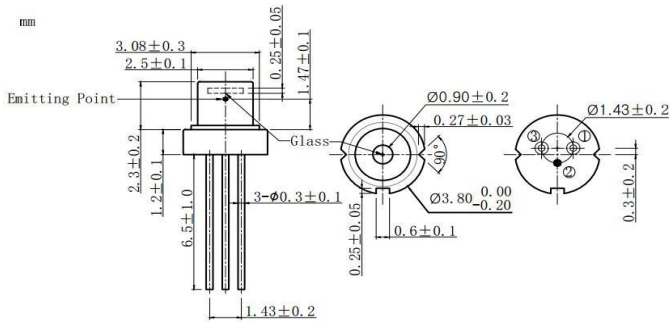
Wavelength	Part Number	Output Power	Mode Type	Laser Type	Package	PD	FAC
405nm	WSLD-405-010m-1-PD	10mW	SM	FP	TO18	√	×
	WSLD-405-150m-1(3.8mm)	150mW	SM	FP	TO38	×	×
	WSLD-405-150m-1(5.6mm)	150mW	SM	FP	TO18	×	×
	WSLD-405-200m-1	200mW	SM	FP	TO38	×	×
	WSLD-405-250m-1	250mW	SM	FP	TO18	×	×
	WSLD-405-300m-1(SM)	300mW	SM	FP	TO18	×	×
445nm	WSLD-445-050m-1	50mW	SM	FP	TO38	×	×
	WSLD-445-100m-1(3.8mm)	100mW	SM	FP	TO38	×	×
	WSLD-445-100m-1(5.6mm)	100mW	SM	FP	TO18	×	×
488nm	WSLD-488-050m-1	50mW	SM	FP	TO18	×	×
505nm	WSLD-505-030m-1-PD	30mW	SM	FP	TO18	√	×
	WSLD-505-050m-1	50mW	SM	FP	TO18	×	×
	WSLD-505-080m-1	80mW	SM	FP	TO18	×	×
520nm	WSLD-520-010m-1-PD	10mW	SM	FP	TO18	√	×
	WSLD-520-050m-1	50mW	SM	FP	TO38	×	×
	WSLD-520-050m-1-PD	50mW	SM	FP	TO18	√	×
	WSLD-520-080m-1	80mW	SM	FP	TO38	×	×
	WSLD-520-080m-1-PD	80mW	SM	FP	TO18	√	×
525nm	WSLD-525-080m-1-PD	80mW	SM	FP	TO18	√	×
635nm	WSLD-635-015m-1-PD	15mW	SM	FP	TO18	√	×
	WSLD-635-030m-1-PD	30mW	SM	FP	TO18	√	×
	WSLD-635-050m-1-PD	50mW	SM	FP	TO18	√	×
	WSLD-635-130m-1	130mW	SM	FP	TO38	×	×
	WSLD-635-180m-1	180mW	SM	FP	TO18	×	×
658nm	WSLD-650-050m-1-PD	50mW	SM	FP	TO18	√	×
	WSLD-650-100m-1	100mW	SM	FP	TO18	×	×
	WSLD-650-150m-1	150mW	SM	FP	TO18	×	×
	WSLD-650-180m-1	180mW	SM	FP	TO18	×	×
785nm	WSLD-785-100m-1-PD	100mW	SM	FP	TO18	√	×
	WSLD-785-100m-1-PD-R	100mW	SM	FP	TO18	√	×
	WSLD-785-120m-1-PD	120mW	SM	FP	TO18	√	×
808nm	WSLD-808-050m-2-PD	50mW	SM	FP	TO5	√	×
	WSLD-808-100m-2-PD	100mW	SM	FP	TO5	√	×
830nm	WSLD-830-050m-1-PD	50mW	SM	FP	TO18	√	×
	WSLD-830-100m-1-PD	100mW	SM	FP	TO18	√	×
	WSLD-830-150m-1-PD	150mW	SM	FP	TO18	√	×
	WSLD-830-200m-1-PD	200mW	SM	FP	TO18	√	×
	WSLD-830-250m-1-PD	250mW	SM	FP	TO18	√	×
850nm	WSLD-850-050m-1-PD	50mW	SM	FP	TO18	√	×
880nm	WSLD-880-010m-1-PD	10mW	SM	FP	TO18	√	×

Note: √:Yes, ○:Optional, ×:No.

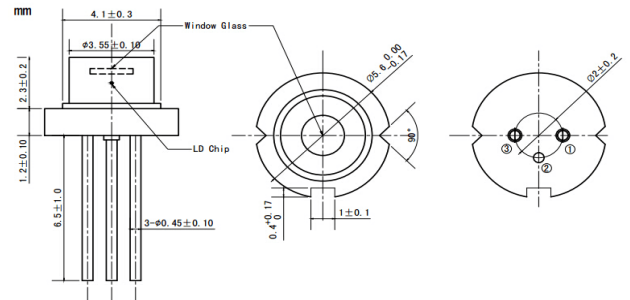
Wavelength	Part Number	Output Power	Mode Type	Laser Type	Package	PD	FAC
940nm	WSLD-940-200m-1-PD	200mW	SM	FP	TO18	√	×
980nm	WSLD-980-050m-1-PD	50mW	SM	FP	TO18	√	×
	WSLD-980-080m-1-PD	80mW	SM	FP	TO18	√	×
1064nm	WSLD-1064-050m-1-PD	50mW	SM	FP	TO18	√	×
	WSLD-1064-100m-2-PD	100mW	SM	FP	TO5	√	×
	WSLD-1064-150m-2-PD	150mW	SM	FP	TO5	√	×
	WSLD-1064-200m-2-PD	200mW	SM	FP	TO5	√	×
1310nm	WSLD-1310-020m-1-PD	20mW	SM	DFB	TO18	√	×
	WSLD-1310-020m-1-PD-F	20mW	SM	DFB	TO18	√	×
	WSLD-1310-030m-1-PD	30mW	SM	DFB	TO18	√	×
	WSLD-1310-030m-1-PD-F	30mW	SM	DFB	TO18	√	×
1550nm	WSLD-1550-015m-1-PD	15mW	SM	DFB	TO18	√	×
	WSLD-1550-015m-1-PD-F	15mW	SM	DFB	TO18	√	×
	WSLD-1550-020m-1-PD	20mW	SM	DFB	TO18	√	×
	WSLD-1550-020m-1-PD-F	20mW	SM	DFB	TO18	√	×

Note: √:Yes, ○:Optional, ×:No.

TO38 Package View :



TO18 Package View :



TO5 Package View :

