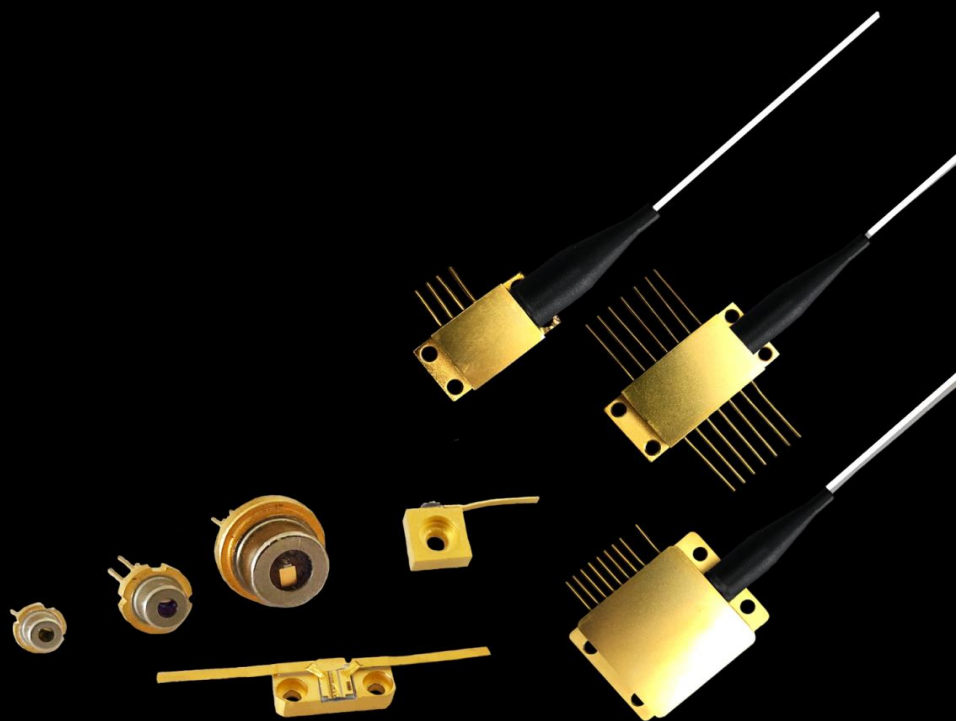




# CATALOG





WAVE  
s p e c t r u m



**WAVESPECTRUM GROUP** was founded in 1999. It is comprised by a group of experienced and innovative experts in the fields of laser physics, materials science, electronic technology and mechanical design. It has established solid cooperation with some famous universities, research institutes and laboratories.

Wavespectrum products are widely used in space science, optical communication technology, laser display, laser medical, life sciences and materials processing. With the rapid development, R&D centers and production bases have been established in China and Europe. The current plant area is 4,000 square meters, including 2,000 square meters of Class 1,000 clean workshops.

Wavespectrum products include laser diodes, fiber-coupled laser modules and fiber-coupled laser systems with wavelengths from 405nm to 1920nm. Our products are used in medical, printing, laser display, life science, laser communication and other fields. At present, the products have all passed the certifications of ROHS, REACH, CE, etc. At the same time, we have got ISO90001 quality management system certification.

Wavespectrum has world-class R&D team, and it has the world first-class production processing plants. Our products can meet the military-grade production and design standards. The products are well acclaimed world-wide, such in Germany, Austria, the United States, Japan, South Korea and other parts of the world. We have established close cooperation with a number of well-known enterprises world-wide.

**Wavespectrum offers laser products with wavelength ranges from 405nm to 1920nm.**

405nm	445nm	465nm	488nm	505nm	515nm	520nm	525nm	635nm	650nm	660nm	670nm	680nm
685nm	760nm	785nm	790nm	808nm	830nm	850nm	860nm	880nm	905nm	915nm	940nm	980nm
1064nm	1210nm	1270nm	1280nm	1290nm	1310nm	1330nm	1350nm	1370nm	1390nm	1410nm	1430nm	1450nm
1470nm	1490nm	1510nm	1530nm	1550nm	1570nm	1590nm	1610nm	1625nm	1650nm	1720nm	1900nm	1920nm

## CONTACT US

### Wavespectrum Laser Group Limited

Address : 2-2-1504, 2# Haitai Innovation 6th Road, Xiqing Dist, 300392, TianJin, China

Web : [www.wavespectrum-laser.com.cn](http://www.wavespectrum-laser.com.cn)      Email : [sales@wavespectrum-laser.com.cn](mailto:sales@wavespectrum-laser.com.cn)

Tel : 86-022-87931118      Fax : 86-022-86392109

**Distributors Wanted World-Wide!**

# PRODUCT CONTENTS

Single Mode Fiber  
Coupled Laser Diode  
Page 3



Single Mode Laser Diode  
Page 24



Collimated Laser Diode  
Page 33



OEM Fiber Coupled Diode  
Laser System  
Page 44



405nm High Power Fiber  
Coupled Laser Source  
Page 55



Red & Green Aiming Beam  
for Fiber Laser  
Page 59



Triplex (RGB) Fiber  
Coupled White Laser  
System  
Page 63



3-channel (Multi-channel)  
Fiber Coupled Laser  
System  
Page 67



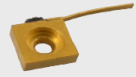
High Power Fiber  
Bundled Laser Module  
Page 71



Multi-mode Fiber Coupled  
Laser Module  
Page 16



Multi-mode Laser Diode  
Page 27



Turnkey Fiber Coupled  
Diode Laser System  
Page 36



Fiber Receptacle Laser  
Module  
Page 51



405nm Fiber Receptacle  
Laser Module  
Page 57



Triplex (RGB) Fiber  
Coupled White Laser  
Module  
Page 61



3-wavelength (Multi-  
wavelength) Fiber Coupled  
Laser System  
Page 65



Multi-wavelength Fiber  
Coupled Laser Module  
Page 69



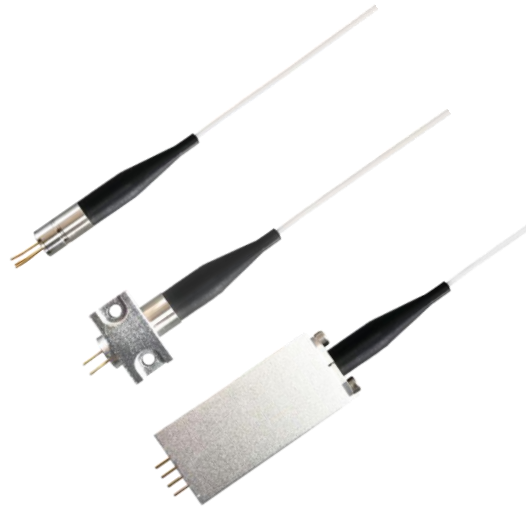
Photodiode  
Page 75



## Single Mode Fiber Coupled Laser Diode

### PRODUCT FEATURE

405nm~1650nm  
 SM and PM Fiber  
 1mW~100mW Output Power  
 PER upto 20dB  
 Built-in TE Cooler Optional  
 Built-in Photodiode Optional  
 Long Lifetime  
 High Stability  
 Customized Wavelength  
 Customized Output Power



### PRODUCT OVERVIEW

Single Mode Fiber Coupled Laser Diode is the most competitive product of WAVESPECTRUM.

We offer High Coupling Efficient Solution for 405nm~1650nm Pigtailed Laser Module with Single Mode Fiber and Polarization Maintianing Fiber, the output power can be up to 100mW. We adopt unique technique to get high Polarization Extinction Ratio (PER), which is up to 20dB with Low Noise Laser Output.

With SM and PM Fiber, it can get the Gauss Beam which is the Single Transverse Mode Beam and the  $M^2$  value is less 1.3. Meanwhile, the TE Cooler and Photodiode is optional for customers, we can integrate them into the Laser Moudue according to customer's requirement. WAVESPECTRUM also offer the Customized Solution for Pigtailed Laser Modules, such as Customized Wavelength and Customized Power to meet the special needs of customers.

WAVESPECTRUM use laser welding technology to guarantee the long-term reliability of the laser structure. To ensure the long-term reliability, each laser diode will undergo rigorous testing and aging in factory. Meanwhile the high-low storage temperature circulation is also necessary for each laser diode. We set the storage temperature range from  $-40^{\circ}\text{C}$  to  $+85^{\circ}\text{C}$ , and it lasts 10 cycles. In this way, it ensures the long-term reliability of the coupling structure.



Wavelength	Part Number	Output Power	Fiber Type	Fiber Core	Package	Connector	PD	TEC
405nm	WSLP-405-001m-4-PD	1mW	SMF	3um	Coaxial	FC/SMA	√	×
	WSLX-405-001m-4-H8-T-PD	1mW	SMF	3um	8-Pin	FC/SMA	√	√
	WSLP-405-015m-4	15mW	SMF	3um	Coaxial	FC/SMA	×	×
	WSLX-405-015m-4-H8-T	15mW	SMF	3um	8-Pin	FC/SMA	○	√
	WSLP-405-030m-4	30mW	SMF	3um	Coaxial	FC/SMA	×	×
	WSLX-405-030m-4-H8-T	30mW	SMF	3um	8-Pin	FC/SMA	○	√
	WSLP-405-050m-4	50mW	SMF	3um	Coaxial	FC/SMA	×	×
	WSLX-405-050m-4-H8-T	50mW	SMF	3um	8-Pin	FC/SMA	○	√
	WSLP-405-080m-4	80mW	SMF	3um	Coaxial	FC/SMA	×	×
	WSLX-405-080m-4-H8-T	80mW	SMF	3um	8-Pin	FC/SMA	○	√
	WSLP-405-100m-4	100mW	SMF	3um	Coaxial	FC/SMA	×	×
	WSLX-405-100m-4-H8-T	100mW	SMF	3um	8-Pin	FC/SMA	○	√
	WSLP-405-015m-PM	15mW	PMF	3um	Coaxial	FC	×	×
	WSLX-405-015m-PM-H8-T	15mW	PMF	3um	8-Pin	FC	○	√
	WSLP-405-030m-PM	30mW	PMF	3um	Coaxial	FC	×	×
	WSLX-405-030m-PM-H8-T	30mW	PMF	3um	8-Pin	FC	○	√
	WSLP-405-050m-PM	50mW	PMF	3um	Coaxial	FC	×	×
	WSLX-405-050m-PM-H8-T	50mW	PMF	3um	8-Pin	FC	○	√
	WSLP-405-080m-PM	80mW	PMF	3um	Coaxial	FC	×	×
	WSLX-405-080m-PM-H8-T	80mW	PMF	3um	8-Pin	FC	○	√
WSLP-405-050m-10	50mW	UV 10um	10um	Coaxial	FC/SMA	×	×	
445nm	WSLP-445-015m-4	15mW	SMF	3um	Coaxial	FC/SMA	×	×
	WSLX-445-015m-4-H8-T	15mW	SMF	3um	8-Pin	FC/SMA	○	√
	WSLX-445-015m-4-H8-T-PD	15mW	SMF	3um	8-Pin	FC/SMA	√	√
	WSLP-445-030m-4	30mW	SMF	3um	Coaxial	FC/SMA	×	×
	WSLX-445-030m-4-H8-T	30mW	SMF	3um	8-Pin	FC/SMA	○	√
	WSLP-445-040m-4	40mW	SMF	3um	Coaxial	FC/SMA	×	×
	WSLX-445-040m-4-H8-T	40mW	SMF	3um	8-Pin	FC/SMA	○	√
	WSLP-445-050m-4	50mW	SMF	3um	Coaxial	FC/SMA	×	×
	WSLX-445-050m-4-H8-T	50mW	SMF	3um	8-Pin	FC/SMA	○	√
	WSLP-445-015m-PM	15mW	PMF	3um	Coaxial	FC	×	×
	WSLX-445-015m-PM-H8-T	15mW	PMF	3um	8-Pin	FC	○	√
	WSLX-445-015m-PM-H8-T-PD	15mW	PMF	3um	8-Pin	FC	√	√
	WSLP-445-030m-PM	30mW	PMF	3um	Coaxial	FC	×	×
	WSLP-445-040m-PM	40mW	PMF	3um	Coaxial	FC	×	×
	WSLX-445-030m-PM-H8-T	30mW	PMF	3um	8-Pin	FC	○	√
	WSLX-445-040m-PM-H8-T	40mW	PMF	3um	8-Pin	FC	○	√
	WSLP-445-050m-9	50mW	SMF-28	9um	Coaxial	FC/SMA	×	×
488nm	WSLP-488-010m-4	10mW	SMF	3um	Coaxial	FC/SMA	×	×
	WSLX-488-010m-4-H8-T	10mW	SMF	3um	8-Pin	FC/SMA	○	√

Note: √:Yes, ○:Optional, ×:No.

Wavelength	Part Number	Output Power	Fiber Type	Fiber Core	Package	Connector	PD	TEC
488nm	WSLX-488-010m-4-H8-T-PD	10mW	SMF	3um	8-Pin	FC/SMA	√	√
	WSLP-488-015m-4	15mW	SMF	3um	Coaxial	FC/SMA	×	×
	WSLX-488-015m-4-H8-T	15mW	SMF	3um	8-Pin	FC/SMA	○	√
	WSLP-488-020m-4	20mW	SMF	3um	Coaxial	FC/SMA	×	×
	WSLX-488-020m-4-H8-T	20mW	SMF	3um	8-Pin	FC/SMA	○	√
	WSLP-488-010m-PM	10mW	PMF	3um	Coaxial	FC	×	×
	WSLX-488-010m-PM-H8-T	10mW	PMF	3um	8-Pin	FC	○	√
	WSLX-488-010m-PM-H8-T-PD	10mW	PMF	3um	8-Pin	FC	√	√
	WSLP-488-015m-PM	15mW	PMF	3um	Coaxial	FC	×	×
	WSLX-488-015m-PM-H8-T	15mW	PMF	3um	8-Pin	FC	○	√
	WSLP-488-020m-PM	20mW	PMF	3um	Coaxial	FC	×	×
	WSLX-488-020m-PM-H8-T	20mW	PMF	3um	8-Pin	FC	○	√
	WSLP-488-020m-9	20mW	SMF-28	9um	Coaxial	FC/SMA	×	×
505nm	WSLP-505-005m-4-PD	5mW	SMF	3um	Coaxial	FC/SMA	√	×
	WSLX-505-005m-4-H8-T-PD	5mW	SMF	3um	8-Pin	FC/SMA	√	√
	WSLP-505-010m-4	10mW	SMF	3um	Coaxial	FC/SMA	×	×
	WSLX-505-010m-4-H8-T	10mW	SMF	3um	8-Pin	FC/SMA	○	√
	WSLP-505-020m-4	20mW	SMF	3um	Coaxial	FC/SMA	×	×
	WSLX-505-020m-4-H8-T	20mW	SMF	3um	8-Pin	FC/SMA	○	√
	WSLP-505-005m-PM-PD	5mW	PMF	3um	Coaxial	FC	√	×
	WSLX-505-005m-PM-H8-T-PD	5mW	PMF	3um	8-Pin	FC	√	√
	WSLP-505-010m-PM	10mW	PMF	3um	Coaxial	FC	×	×
	WSLX-505-010m-PM-H8-T	10mW	PMF	3um	8-Pin	FC	○	√
	WSLP-505-020m-PM	20mW	PMF	3um	Coaxial	FC	×	×
	WSLX-505-020m-PM-H8-T	20mW	PMF	3um	8-Pin	FC	○	√
	WSLP-505-020m-9	20mW	SMF-28	9um	Coaxial	FC/SMA	×	×
520nm	WSLP-520-001m-4-PD	1mW	SMF	3um	Coaxial	FC/SMA	√	×
	WSLX-520-001m-4-H8-T-PD	1mW	SMF	3um	8-Pin	FC/SMA	√	√
	WSLP-520-010m-4	10mW	SMF	3um	Coaxial	FC/SMA	×	×
	WSLX-520-010m-4-H8-T	10mW	SMF	3um	8-Pin	FC/SMA	○	√
	WSLP-520-010m-4-PD	10mW	SMF	3um	Coaxial	FC/SMA	√	×
	WSLX-520-010m-4-H8-T-PD	10mW	SMF	3um	8-Pin	FC/SMA	√	√
	WSLP-520-020m-4	20mW	SMF	3um	Coaxial	FC/SMA	×	×
	WSLX-520-020m-4-H8-T	20mW	SMF	3um	8-Pin	FC/SMA	○	√
	WSLP-520-020m-4-PD	20mW	SMF	3um	Coaxial	FC/SMA	√	×
	WSLX-520-020m-4-H8-T-PD	20mW	SMF	3um	8-Pin	FC/SMA	√	√
	WSLP-520-025m-4	25mW	SMF	3um	Coaxial	FC/SMA	×	×
	WSLX-520-025m-4-H8-T	25mW	SMF	3um	8-Pin	FC/SMA	○	√
	WSLP-520-025m-4-PD	25mW	SMF	3um	Coaxial	FC/SMA	√	×
	WSLX-520-025m-4-H8-T-PD	25mW	SMF	3um	8-Pin	FC/SMA	√	√

Note: √:Yes, ○:Optional, ×:No.

Wavelength	Part Number	Output Power	Fiber Type	Fiber Core	Package	Connector	PD	TEC
520nm	WSLP-520-010m-PM-PD	10mW	PMF	3um	Coaxial	FC	√	×
	WSLX-520-010m-PM-H8-T-PD	10mW	PMF	3um	8-Pin	FC	√	√
	WSLP-520-020m-PM-PD	20mW	PMF	3um	Coaxial	FC	√	×
	WSLX-520-020m-PM-H8-T-PD	20mW	PMF	3um	8-Pin	FC	√	√
	WSLP-520-030m-9-PD	30mW	SMF-28	9um	Coaxial	FC/SMA	√	×
635nm	WSLP-635-001m-4-PD	1mW	SMF	4um	Coaxial	FC/SMA	√	×
	WSLX-635-001m-4-H8-T-PD	1mW	SMF	4um	8-Pin	FC/SMA	√	√
	WSLP-635-005m-4-PD	5mW	SMF	4um	Coaxial	FC/SMA	√	×
	WSLX-635-005m-4-H8-T-PD	5mW	SMF	4um	8-Pin	FC/SMA	√	√
	WSLP-635-010m-4-PD	10mW	SMF	4um	Coaxial	FC/SMA	√	×
	WSLX-635-010m-4-H8-T-PD	10mW	SMF	4um	8-Pin	FC/SMA	√	√
	WSLP-635-015m-4-PD	15mW	SMF	4um	Coaxial	FC/SMA	√	×
	WSLX-635-015m-4-H8-T-PD	15mW	SMF	4um	8-Pin	FC/SMA	√	√
	WSLP-635-020m-4-PD	20mW	SMF	4um	Coaxial	FC/SMA	√	×
	WSLX-635-020m-4-H8-T-PD	20mW	SMF	4um	8-Pin	FC/SMA	√	√
	WSLP-635-020m-4	20mW	SMF	4um	Coaxial	FC/SMA	×	×
	WSLX-635-020m-4-H8-T	20mW	SMF	4um	8-Pin	FC/SMA	○	√
	WSLP-635-030m-4	30mW	SMF	4um	Coaxial	FC/SMA	×	×
	WSLX-635-030m-4-H8-T	30mW	SMF	4um	8-Pin	FC/SMA	○	√
	WSLP-635-050m-4	50mW	SMF	4um	Coaxial	FC/SMA	×	×
	WSLX-635-050m-4-H8-T	50mW	SMF	4um	8-Pin	FC/SMA	○	√
	WSLX-635-050m-4-H8-T-PD	50mW	SMF	4um	8-Pin	FC/SMA	√	√
	WSLP-635-070m-4	70mW	SMF	4um	Coaxial	FC/SMA	×	×
	WSLX-635-070m-4-H8-T	70mW	SMF	4um	8-Pin	FC/SMA	○	√
	WSLP-635-080m-4	80mW	SMF	4um	Coaxial	FC/SMA	×	×
	WSLX-635-080m-4-H8-T	80mW	SMF	4um	8-Pin	FC/SMA	○	√
	WSLP-635-100m-4	100mW	SMF	4um	Coaxial	FC/SMA	×	×
	WSLX-635-100m-4-H8-T	100mW	SMF	4um	8-Pin	FC/SMA	○	√
	WSLP-635-010m-PM-PD	10mW	PMF	4um	Coaxial	FC	√	×
	WSLX-635-010m-PM-H8-T-PD	10mW	PMF	4um	8-Pin	FC	√	√
	WSLP-635-020m-PM	20mW	PMF	4um	Coaxial	FC	×	×
	WSLX-635-020m-PM-H8-T	20mW	PMF	4um	8-Pin	FC	○	√
	WSLP-635-030m-PM	30mW	PMF	4um	Coaxial	FC	×	×
	WSLX-635-030m-PM-H8-T	30mW	PMF	4um	8-Pin	FC	○	√
	WSLP-635-050m-PM	50mW	PMF	4um	Coaxial	FC	×	×
	WSLX-635-050m-PM-H8-T	50mW	PMF	4um	8-Pin	FC	○	√
	WSLX-635-050m-PM-H8-T-PD	50mW	PMF	4um	8-Pin	FC	√	√
WSLP-635-070m-PM	70mW	PMF	4um	Coaxial	FC	×	×	
WSLX-635-070m-PM-H8-T	70mW	PMF	4um	8-Pin	FC	○	√	
WSLP-635-080m-PM	80mW	PMF	4um	Coaxial	FC	×	×	

Note: √:Yes, ○:Optional, ×:No.



Wavelength	Part Number	Output Power	Fiber Type	Fiber Core	Package	Connector	PD	TEC
635nm	WSLX-635-080m-PM-H8-T	80mW	PMF	4um	8-Pin	FC	○	√
	WSLP-635-100m-PM	100mW	PMF	4um	Coaxial	FC	×	×
	WSLX-635-100m-PM-H8-T	100mW	PMF	4um	8-Pin	FC	○	√
	WSLP-635-050m-9	50mW	SMF-28	9um	Coaxial	FC/SMA	×	×
	WSLP-635-080m-9	80mW	SMF-28	9um	Coaxial	FC/SMA	×	×
	WSLP-635-100m-9	100mW	SMF-28	9um	Coaxial	FC/SMA	×	×
658nm	WSLP-650-003m-4-PD	3mW	SMF	4um	Coaxial	FC/SMA	√	×
	WSLX-650-003m-4-H8-T-PD	3mW	SMF	4um	8-Pin	FC/SMA	√	√
	WSLP-650-005m-4-PD	5mW	SMF	4um	Coaxial	FC/SMA	√	×
	WSLX-650-005m-4-H8-T-PD	5mW	SMF	4um	8-Pin	FC/SMA	√	√
	WSLP-650-010m-4-PD	10mW	SMF	4um	Coaxial	FC/SMA	√	×
	WSLX-650-010m-4-H8-T-PD	10mW	SMF	4um	8-Pin	FC/SMA	√	√
	WSLP-650-015m-4-PD	15mW	SMF	4um	Coaxial	FC/SMA	√	×
	WSLX-650-015m-4-H8-T-PD	15mW	SMF	4um	8-Pin	FC/SMA	√	√
	WSLP-650-020m-4-PD	20mW	SMF	4um	Coaxial	FC/SMA	√	×
	WSLX-650-020m-4-H8-T-PD	20mW	SMF	4um	8-Pin	FC/SMA	√	√
	WSLP-650-020m-4	20mW	SMF	4um	Coaxial	FC/SMA	×	×
	WSLX-650-020m-4-H8-T	20mW	SMF	4um	8-Pin	FC/SMA	○	√
	WSLP-650-040m-4	40mW	SMF	4um	Coaxial	FC/SMA	×	×
	WSLX-650-040m-4-H8-T	40mW	SMF	4um	8-Pin	FC/SMA	○	√
	WSLP-650-050m-4	50mW	SMF	4um	Coaxial	FC/SMA	×	×
	WSLX-650-050m-4-H8-T	50mW	SMF	4um	8-Pin	FC/SMA	○	√
	WSLX-650-050m-4-H8-T-PD	50mW	SMF	4um	8-Pin	FC/SMA	√	√
	WSLP-650-080m-4	80mW	SMF	4um	Coaxial	FC/SMA	×	×
	WSLX-650-080m-4-H8-T	80mW	SMF	4um	8-Pin	FC/SMA	○	√
	WSLP-650-100m-4	100mW	SMF	4um	Coaxial	FC/SMA	×	×
	WSLX-650-100m-4-H8-T	100mW	SMF	4um	8-Pin	FC/SMA	○	√
	WSLP-650-010m-PM-PD	10mW	PMF	4um	Coaxial	FC	√	×
	WSLX-650-010m-PM-H8-T-PD	10mW	PMF	4um	8-Pin	FC	√	√
	WSLP-650-050m-PM	50mW	PMF	4um	Coaxial	FC	×	×
	WSLX-650-050m-PM-H8-T	50mW	PMF	4um	8-Pin	FC	○	√
	WSLX-650-050m-PM-H8-T-PD	50mW	PMF	4um	8-Pin	FC	√	√
	WSLP-650-080m-PM	80mW	PMF	4um	Coaxial	FC	×	×
	WSLX-650-080m-PM-H8-T	80mW	PMF	4um	8-Pin	FC	○	√
	WSLP-650-020m-9	20mW	SMF-28	9um	Coaxial	FC/SMA	×	×
	WSLP-650-040m-9	40mW	SMF-28	9um	Coaxial	FC/SMA	×	×
WSLP-650-050m-9	50mW	SMF-28	9um	Coaxial	FC/SMA	×	×	
WSLP-650-080m-9	80mW	SMF-28	9um	Coaxial	FC/SMA	×	×	
WSLP-650-100m-9	100mW	SMF-28	9um	Coaxial	FC/SMA	×	×	
670nm	WSLP-670-003m-4-PD	3mW	SMF	4um	Coaxial	FC/SMA	√	×

Note: √:Yes, ○:Optional, ×:No.

Wavelength	Part Number	Output Power	Fiber Type	Fiber Core	Package	Connector	PD	TEC
670nm	WSLX-670-003m-4-H8-T-PD	3mW	SMF	4um	8-Pin	FC/SMA	√	√
	WSLP-670-005m-4-PD	5mW	SMF	4um	Coaxial	FC/SMA	√	×
	WSLX-670-005m-4-H8-T-PD	5mW	SMF	4um	8-Pin	FC/SMA	√	√
	WSLP-670-003m-PM-PD	3mW	PMF	4um	Coaxial	FC	√	×
	WSLX-670-003m-PM-H8-T-PD	3mW	PMF	4um	8-Pin	FC	√	√
	WSLP-670-005m-PM-PD	5mW	PMF	4um	Coaxial	FC	√	×
	WSLX-670-005m-PM-H8-T-PD	5mW	PMF	4um	8-Pin	FC	√	√
	WSLP-670-005m-9-PD	5mW	SMF-28	9um	Coaxial	FC/SMA	√	×
685nm	WSLP-685-010m-4-PD	10mW	SMF	4um	Coaxial	FC/SMA	√	×
	WSLX-685-010m-4-H8-T-PD	10mW	SMF	4um	8-Pin	FC/SMA	√	√
	WSLP-685-015m-4-PD	15mW	SMF	4um	Coaxial	FC/SMA	√	×
	WSLX-685-015m-4-H8-T-PD	15mW	SMF	4um	8-Pin	FC/SMA	√	√
	WSLP-685-020m-4-PD	20mW	SMF	4um	Coaxial	FC/SMA	√	×
	WSLX-685-020m-4-H8-T-PD	20mW	SMF	4um	8-Pin	FC/SMA	√	√
	WSLP-685-010m-PM-PD	10mW	PMF	4um	Coaxial	FC	√	×
	WSLX-685-010m-PM-H8-T-PD	10mW	PMF	4um	8-Pin	FC	√	√
	WSLP-685-015m-PM-PD	15mW	PMF	4um	Coaxial	FC	√	×
	WSLX-685-015m-PM-H8-T-PD	15mW	PMF	4um	8-Pin	FC	√	√
	WSLP-685-015m-9-PD	15mW	SMF-28	9um	Coaxial	FC/SMA	√	×
785nm	WSLP-785-005m-4-PD	5mW	SMF	5um	Coaxial	FC/SMA	√	×
	WSLX-785-005m-4-H8-T-PD	5mW	SMF	5um	8-Pin	FC/SMA	√	√
	WSLP-785-020m-4-PD	20mW	SMF	5um	Coaxial	FC/SMA	√	×
	WSLX-785-020m-4-H8-T-PD	20mW	SMF	5um	8-Pin	FC/SMA	√	√
	WSLP-785-030m-4-PD	30mW	SMF	5um	Coaxial	FC/SMA	√	×
	WSLX-785-030m-4-H8-T-PD	30mW	SMF	5um	8-Pin	FC/SMA	√	√
	WSLP-785-040m-4-PD	40mW	SMF	5um	Coaxial	FC/SMA	√	×
	WSLX-785-040m-4-H8-T-PD	40mW	SMF	5um	8-Pin	FC/SMA	√	√
	WSLP-785-050m-4-PD	50mW	SMF	5um	Coaxial	FC/SMA	√	×
	WSLX-785-050m-4-H8-T-PD	50mW	SMF	5um	8-Pin	FC/SMA	√	√
	WSLP-785-020m-PM-PD	20mW	PMF	5um	Coaxial	FC	√	×
	WSLX-785-020m-PM-H8-T-PD	20mW	PMF	5um	8-Pin	FC	√	√
	WSLP-785-030m-PM-PD	30mW	PMF	5um	Coaxial	FC	√	×
	WSLX-785-030m-PM-H8-T-PD	30mW	PMF	5um	8-Pin	FC	√	√
	WSLP-785-040m-PM-PD	40mW	PMF	5um	Coaxial	FC	√	×
	WSLX-785-040m-PM-H8-T-PD	40mW	PMF	5um	8-Pin	FC	√	√
	WSLP-785-010m-9-PD	10mW	SMF-28	9um	Coaxial	FC/SMA	√	×
	WSLP-785-030m-9-PD	30mW	SMF-28	9um	Coaxial	FC/SMA	√	×
808nm	WSLP-808-020m-4-PD	20mW	SMF	5um	Coaxial	FC/SMA	√	×
	WSLX-808-020m-4-H-T-PD	20mW	SMF	5um	HHL-01	FC/SMA	√	√
	WSLP-808-030m-4-PD	30mW	SMF	5um	Coaxial	FC/SMA	√	×

Note: √:Yes, ○:Optional, ×:No.

Wavelength	Part Number	Output Power	Fiber Type	Fiber Core	Package	Connector	PD	TEC
808nm	WSLX-808-030m-4-H-T-PD	30mW	SMF	5um	HHL-01	FC/SMA	√	√
	WSLP-808-040m-4-PD	40mW	SMF	5um	Coaxial	FC/SMA	√	×
	WSLX-808-040m-4-H-T-PD	40mW	SMF	5um	HHL-01	FC/SMA	√	√
	WSLP-808-050m-4-PD	50mW	SMF	5um	Coaxial	FC/SMA	√	×
	WSLX-808-050m-4-H-T-PD	50mW	SMF	5um	HHL-01	FC/SMA	√	√
	WSLP-808-015m-PM-PD	15mW	PMF	5um	Coaxial	FC	√	×
	WSLX-808-015m-PM-H-T-PD	15mW	PMF	5um	HHL-01	FC	√	√
	WSLP-808-030m-PM-PD	30mW	PMF	5um	Coaxial	FC	√	×
	WSLX-808-030m-PM-H-T-PD	30mW	PMF	5um	HHL-01	FC	√	√
	WSLP-808-040m-PM-PD	40mW	PMF	5um	Coaxial	FC	√	×
	WSLX-808-040m-PM-H-T-PD	40mW	PMF	5um	HHL-01	FC	√	√
	WSLP-808-030m-9-PD	30mW	SMF-28	9um	Coaxial	FC/SMA	√	×
830nm	WSLP-830-005m-4-PD	5mW	SMF	5um	Coaxial	FC/SMA	√	×
	WSLX-830-005m-4-H8-T-PD	5mW	SMF	5um	8-Pin	FC/SMA	√	√
	WSLP-830-030m-4-PD	30mW	SMF	5um	Coaxial	FC/SMA	√	×
	WSLX-830-030m-4-H8-T-PD	30mW	SMF	5um	8-Pin	FC/SMA	√	√
	WSLP-830-050m-4-PD	50mW	SMF	5um	Coaxial	FC/SMA	√	×
	WSLX-830-050m-4-H8-T-PD	50mW	SMF	5um	8-Pin	FC/SMA	√	√
	WSLP-830-080m-4-PD	80mW	SMF	5um	Coaxial	FC/SMA	√	×
	WSLX-830-080m-4-H8-T-PD	80mW	SMF	5um	8-Pin	FC/SMA	√	√
	WSLP-830-100m-4-PD	100mW	SMF	5um	Coaxial	FC/SMA	√	×
	WSLX-830-100m-4-H8-T-PD	100mW	SMF	5um	8-Pin	FC/SMA	√	√
	WSLP-830-030m-PM-PD	30mW	PMF	5um	Coaxial	FC	√	×
	WSLX-830-030m-PM-H8-T-PD	30mW	PMF	5um	8-Pin	FC	√	√
	WSLP-830-050m-PM-PD	50mW	PMF	5um	Coaxial	FC	√	×
	WSLX-830-050m-PM-H8-T-PD	50mW	PMF	5um	8-Pin	FC	√	√
	WSLP-830-080m-PM-PD	80mW	PMF	5um	Coaxial	FC	√	×
	WSLX-830-080m-PM-H8-T-PD	80mW	PMF	5um	8-Pin	FC	√	√
	WSLP-830-100m-PM-PD	100mW	PMF	5um	Coaxial	FC	√	×
	WSLX-830-100m-PM-H8-T-PD	100mW	PMF	5um	8-Pin	FC	√	√
	WSLP-830-050m-9-PD	50mW	SMF-28	9um	Coaxial	FC/SMA	√	×
	WSLP-830-100m-9-PD	100mW	SMF-28	9um	Coaxial	FC/SMA	√	×
850nm	WSLP-850-010m-4-PD	10mW	SMF	5um	Coaxial	FC/SMA	√	×
	WSLX-850-010m-4-H8-T-PD	10mW	SMF	5um	8-Pin	FC/SMA	√	√
	WSLP-850-030m-4-PD	30mW	SMF	5um	Coaxial	FC/SMA	√	×
	WSLX-850-030m-4-H8-T-PD	30mW	SMF	5um	8-Pin	FC/SMA	√	√
	WSLP-850-050m-4-PD	50mW	SMF	5um	Coaxial	FC/SMA	√	×
	WSLX-850-050m-4-H8-T-PD	50mW	SMF	5um	8-Pin	FC/SMA	√	√
	WSLP-850-070m-4-PD	70mW	SMF	5um	Coaxial	FC/SMA	√	×
	WSLX-850-070m-4-H8-T-PD	70mW	SMF	5um	8-Pin	FC/SMA	√	√

Note: √:Yes, ○:Optional, ×:No.

Wavelength	Part Number	Output Power	Fiber Type	Fiber Core	Package	Connector	PD	TEC
850nm	WSLP-850-030m-PM-PD	30mW	PMF	5um	Coaxial	FC	√	×
	WSLX-850-030m-PM-H8-T-PD	30mW	PMF	5um	8-Pin	FC	√	√
	WSLP-850-050m-PM-PD	50mW	PMF	5um	Coaxial	FC	√	×
	WSLX-850-050m-PM-H8-T-PD	50mW	PMF	5um	8-Pin	FC	√	√
	WSLP-850-070m-PM-PD	70mW	PMF	5um	Coaxial	FC	√	×
	WSLX-850-070m-PM-H8-T-PD	70mW	PMF	5um	8-Pin	FC	√	√
	WSLP-850-020m-9-PD	20mW	SMF-28	9um	Coaxial	FC/SMA	√	×
	WSLP-850-050m-9-PD	50mW	SMF-28	9um	Coaxial	FC/SMA	√	×
880nm	WSLP-880-002m-4-PD	2mW	SMF	5um	Coaxial	FC/SMA	√	×
	WSLX-880-002m-4-H8-T-PD	2mW	SMF	5um	8-Pin	FC/SMA	√	√
	WSLP-880-002m-PM-PD	2mW	PMF	5um	Coaxial	FC	√	×
	WSLX-880-002m-PM-H8-T-PD	2mW	PMF	5um	8-Pin	FC	√	√
	WSLP-880-002m-9-PD	2mW	SMF-28	9um	Coaxial	FC/SMA	√	×
905nm	WSLP-905-002m-4-PD	2mW	SMF	5um	Coaxial	FC/SMA	√	×
	WSLX-905-002m-4-H8-T-PD	2mW	SMF	5um	8-Pin	FC/SMA	√	√
	WSLP-905-020m-4-PD	20mW	SMF	5um	Coaxial	FC/SMA	√	×
	WSLX-905-020m-4-H8-T-PD	20mW	SMF	5um	8-Pin	FC/SMA	√	√
	WSLP-905-030m-4-PD	30mW	SMF	5um	Coaxial	FC/SMA	√	×
	WSLX-905-030m-4-H8-T-PD	30mW	SMF	5um	8-Pin	FC/SMA	√	√
	WSLP-905-020m-PM-PD	20mW	PMF	5um	Coaxial	FC	√	×
	WSLX-905-020m-PM-H8-T-PD	20mW	PMF	5um	8-Pin	FC	√	√
	WSLP-905-030m-PM-PD	30mW	PMF	5um	Coaxial	FC	√	×
	WSLX-905-030m-PM-H8-T-PD	30mW	PMF	5um	8-Pin	FC	√	√
	WSLP-905-002m-9-PD	2mW	SMF-28	9um	Coaxial	FC/SMA	√	×
	WSLP-905-030m-9-PD	30mW	SMF-28	9um	Coaxial	FC/SMA	√	×
940nm	WSLP-940-030m-4-PD	30mW	SMF	5um	Coaxial	FC/SMA	√	×
	WSLX-940-030m-4-H8-T-PD	30mW	SMF	5um	8-Pin	FC/SMA	√	√
	WSLP-940-050m-4-PD	50mW	SMF	5um	Coaxial	FC/SMA	√	×
	WSLX-940-050m-4-H8-T-PD	50mW	SMF	5um	8-Pin	FC/SMA	√	√
	WSLP-940-070m-4-PD	70mW	SMF	5um	Coaxial	FC/SMA	√	×
	WSLX-940-070m-4-H8-T-PD	70mW	SMF	5um	8-Pin	FC/SMA	√	√
	WSLP-940-030m-PM-PD	30mW	PMF	5um	Coaxial	FC	√	×
	WSLX-940-030m-PM-H8-T-PD	30mW	PMF	5um	8-Pin	FC	√	√
	WSLP-940-050m-PM-PD	50mW	PMF	5um	Coaxial	FC	√	×
	WSLX-940-050m-PM-H8-T-PD	50mW	PMF	5um	8-Pin	FC	√	√
	WSLP-940-070m-PM-PD	70mW	PMF	5um	Coaxial	FC	√	×
	WSLX-940-070m-PM-H8-T-PD	70mW	PMF	5um	8-Pin	FC	√	√
	WSLP-940-050m-9-PD	50mW	SMF-28	9um	Coaxial	FC/SMA	√	×
980nm	WSLP-980-005m-4-PD	5mW	SMF	6um	Coaxial	FC/SMA	√	×
	WSLX-980-005m-4-H8-T-PD	5mW	SMF	6um	8-Pin	FC/SMA	√	√

Note: √:Yes, ○:Optional, ×:No.

Wavelength	Part Number	Output Power	Fiber Type	Fiber Core	Package	Connector	PD	TEC
980nm	WSLP-980-010m-4-PD	10mW	SMF	6um	Coaxial	FC/SMA	√	×
	WSLX-980-010m-4-H8-T-PD	10mW	SMF	6um	8-Pin	FC/SMA	√	√
	WSLP-980-015m-4-PD	15mW	SMF	6um	Coaxial	FC/SMA	√	×
	WSLX-980-015m-4-H8-T-PD	15mW	SMF	6um	8-Pin	FC/SMA	√	√
	WSLP-980-020m-4-PD	20mW	SMF	6um	Coaxial	FC/SMA	√	×
	WSLX-980-020m-4-H8-T-PD	20mW	SMF	6um	8-Pin	FC/SMA	√	√
	WSLP-980-010m-9-PD	10mW	SMF-28	9um	Coaxial	FC/SMA	√	×
	WSLP-980-015m-9-PD	15mW	SMF-28	9um	Coaxial	FC/SMA	√	×
	WSLP-980-020m-9-PD	20mW	SMF-28	9um	Coaxial	FC/SMA	√	×
1064nm	WSLP-1064-010m-4-PD	10mW	SMF	6um	Coaxial	FC/SMA	√	×
	WSLX-1064-010m-4-H8-T-PD	10mW	SMF	6um	8-Pin	FC/SMA	√	√
	WSLP-1064-015m-4-PD	15mW	SMF	6um	Coaxial	FC/SMA	√	×
	WSLX-1064-015m-4-H8-T-PD	15mW	SMF	6um	8-Pin	FC/SMA	√	√
	WSLP-1064-030m-4-PD	30mW	SMF	6um	Coaxial	FC/SMA	√	×
	WSLX-1064-030m-4-H-T-PD	30mW	SMF	6um	HHL-01	FC/SMA	√	√
	WSLP-1064-050m-4-PD	50mW	SMF	6um	Coaxial	FC/SMA	√	×
	WSLX-1064-050m-4-H-T-PD	50mW	SMF	6um	HHL-01	FC/SMA	√	√
	WSLP-1064-005m-PM-PD	5mW	PMF	6um	Coaxial	FC	√	×
	WSLX-1064-005m-PM-H8-T-PD	5mW	PMF	6um	8-Pin	FC	√	√
	WSLP-1064-010m-PM-PD	10mW	PMF	6um	Coaxial	FC	√	×
	WSLX-1064-010m-PM-H8-T-PD	10mW	PMF	6um	8-Pin	FC	√	√
	WSLP-1064-020m-PM-PD	20mW	PMF	6um	Coaxial	FC	√	×
	WSLX-1064-020m-PM-H-T-PD	20mW	PMF	6um	HHL-01	FC	√	√
	WSLP-1064-050m-PM-PD	50mW	PMF	6um	Coaxial	FC	√	×
	WSLX-1064-050m-PM-H-T-PD	50mW	PMF	6um	HHL-01	FC	√	√
	WSLP-1064-010m-9-PD	10mW	SMF-28	9um	Coaxial	FC/SMA	√	×
	WSLP-1064-015m-9-PD	15mW	SMF-28	9um	Coaxial	FC/SMA	√	×
WSLP-1064-020m-9-PD	20mW	SMF-28	9um	Coaxial	FC/SMA	√	×	
WSLP-1064-050m-9-PD	50mW	SMF-28	9um	Coaxial	FC/SMA	√	×	
1270nm	WSLP-1270-002m-9-DFB	2mW	SMF-28	9um	Coaxial	FC/SMA	√	×
	WSLP-1270-005m-9-DFB	5mW	SMF-28	9um	Coaxial	FC/SMA	√	×
	WSLX-1270-005m-9-H8-T-DFB	5mW	SMF-28	9um	8-Pin	FC/SMA	√	√
	WSLP-1270-005m-PM-DFB	5mW	PMF	9um	Coaxial	FC	√	×
	WSLX-1270-005m-PM-H8-T-DFB	5mW	PMF	9um	8-Pin	FC	√	√
1290nm	WSLP-1290-002m-9-DFB	2mW	SMF-28	9um	Coaxial	FC/SMA	√	×
	WSLP-1290-005m-9-DFB	5mW	SMF-28	9um	Coaxial	FC/SMA	√	×
	WSLX-1290-005m-9-H8-T-DFB	5mW	SMF-28	9um	8-Pin	FC/SMA	√	√
	WSLP-1290-005m-PM-DFB	5mW	PMF	9um	Coaxial	FC	√	×
	WSLX-1290-005m-PM-H8-T-DFB	5mW	PMF	9um	8-Pin	FC	√	√
1310nm	WSLP-1310-002m-9-FP	2mW	SMF-28	9um	Coaxial	FC/SMA	√	×

Note: √:Yes, ○:Optional, ×:No.

Wavelength	Part Number	Output Power	Fiber Type	Fiber Core	Package	Connector	PD	TEC
1310nm	WSLP-1310-003m-9-DFB	3mW	SMF-28	9um	Coaxial	FC/SMA	√	×
	WSLP-1310-005m-9-DFB	5mW	SMF-28	9um	Coaxial	FC/SMA	√	×
	WSLX-1310-005m-9-H8-T-DFB	5mW	SMF-28	9um	8-Pin	FC/SMA	√	√
	WSLP-1310-010m-9-DFB	10mW	SMF-28	9um	Coaxial	FC/SMA	√	×
	WSLX-1310-010m-9-H8-T-DFB	10mW	SMF-28	9um	8-Pin	FC/SMA	√	√
	WSLP-1310-015m-9-DFB	15mW	SMF-28	9um	Coaxial	FC/SMA	√	×
	WSLX-1310-015m-9-H8-T-DFB	15mW	SMF-28	9um	8-Pin	FC/SMA	√	√
	WSLP-1310-005m-PM-DFB	5mW	PMF	9um	Coaxial	FC	√	×
	WSLX-1310-005m-PM-H8-T-DFB	5mW	PMF	9um	8-Pin	FC	√	√
	WSLP-1310-010m-PM-DFB	10mW	PMF	9um	Coaxial	FC	√	×
	WSLX-1310-010m-PM-H8-T-DFB	10mW	PMF	9um	8-Pin	FC	√	√
	WSLP-1310-015m-PM-DFB	15mW	PMF	9um	Coaxial	FC	√	×
	WSLX-1310-015m-PM-H8-T-DFB	15mW	PMF	9um	8-Pin	FC	√	√
	1330nm	WSLP-1330-002m-9-DFB	2mW	SMF-28	9um	Coaxial	FC/SMA	√
WSLP-1330-005m-9-DFB		5mW	SMF-28	9um	Coaxial	FC/SMA	√	×
WSLX-1330-005m-9-H8-T-DFB		5mW	SMF-28	9um	8-Pin	FC/SMA	√	√
WSLP-1330-005m-PM-DFB		5mW	PMF	9um	Coaxial	FC	√	×
WSLX-1330-005m-PM-H8-T-DFB		5mW	PMF	9um	8-Pin	FC	√	√
1350nm	WSLP-1350-002m-9-DFB	2mW	SMF-28	9um	Coaxial	FC/SMA	√	×
	WSLP-1350-005m-9-DFB	5mW	SMF-28	9um	Coaxial	FC/SMA	√	×
	WSLX-1350-005m-9-H8-T-DFB	5mW	SMF-28	9um	8-Pin	FC/SMA	√	√
	WSLP-1350-005m-PM-DFB	5mW	PMF	9um	Coaxial	FC	√	×
	WSLX-1350-005m-PM-H8-T-DFB	5mW	PMF	9um	8-Pin	FC	√	√
1370nm	WSLP-1370-002m-9-DFB	2mW	SMF-28	9um	Coaxial	FC/SMA	√	×
	WSLP-1370-005m-9-DFB	5mW	SMF-28	9um	Coaxial	FC/SMA	√	×
	WSLX-1370-005m-9-H8-T-DFB	5mW	SMF-28	9um	8-Pin	FC/SMA	√	√
	WSLP-1370-005m-PM-DFB	5mW	PMF	9um	Coaxial	FC	√	×
	WSLX-1370-005m-PM-H8-T-DFB	5mW	PMF	9um	8-Pin	FC	√	√
1390nm	WSLP-1390-002m-9-DFB	2mW	SMF-28	9um	Coaxial	FC/SMA	√	×
	WSLP-1390-005m-9-DFB	5mW	SMF-28	9um	Coaxial	FC/SMA	√	×
	WSLX-1390-005m-9-H8-T-DFB	5mW	SMF-28	9um	8-Pin	FC/SMA	√	√
	WSLP-1390-005m-PM-DFB	5mW	PMF	9um	Coaxial	FC	√	×
	WSLX-1390-005m-PM-H8-T-DFB	5mW	PMF	9um	8-Pin	FC	√	√
1410nm	WSLP-1410-002m-9-DFB	2mW	SMF-28	9um	Coaxial	FC/SMA	√	×
	WSLP-1410-005m-9-DFB	5mW	SMF-28	9um	Coaxial	FC/SMA	√	×
	WSLX-1410-005m-9-H8-T-DFB	5mW	SMF-28	9um	8-Pin	FC/SMA	√	√
	WSLP-1410-005m-PM-DFB	5mW	PMF	9um	Coaxial	FC	√	×
	WSLX-1410-005m-PM-H8-T-DFB	5mW	PMF	9um	8-Pin	FC	√	√
1430nm	WSLP-1430-002m-9-DFB	2mW	SMF-28	9um	Coaxial	FC/SMA	√	×
	WSLP-1430-005m-9-DFB	5mW	SMF-28	9um	Coaxial	FC/SMA	√	×

Note: √:Yes, ○:Optional, ×:No.

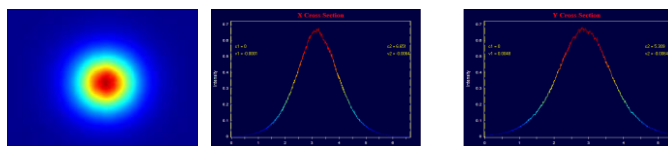
Wavelength	Part Number	Output Power	Fiber Type	Fiber Core	Package	Connector	PD	TEC
1430nm	WSLX-1430-005m-9-H8-T-DFB	5mW	SMF-28	9um	8-Pin	FC/SMA	√	√
	WSLP-1430-005m-PM-DFB	5mW	PMF	9um	Coaxial	FC	√	×
	WSLX-1430-005m-PM-H8-T-DFB	5mW	PMF	9um	8-Pin	FC	√	√
1450nm	WSLP-1450-002m-9-DFB	2mW	SMF-28	9um	Coaxial	FC/SMA	√	×
	WSLP-1450-005m-9-DFB	5mW	SMF-28	9um	Coaxial	FC/SMA	√	×
	WSLX-1450-005m-9-H8-T-DFB	5mW	SMF-28	9um	8-Pin	FC/SMA	√	√
	WSLP-1450-005m-PM-DFB	5mW	PMF	9um	Coaxial	FC	√	×
	WSLX-1450-005m-PM-H8-T-DFB	5mW	PMF	9um	8-Pin	FC	√	√
1470nm	WSLP-1470-002m-9-DFB	2mW	SMF-28	9um	Coaxial	FC/SMA	√	×
	WSLP-1470-005m-9-DFB	5mW	SMF-28	9um	Coaxial	FC/SMA	√	×
	WSLX-1470-005m-9-H8-T-DFB	5mW	SMF-28	9um	8-Pin	FC/SMA	√	√
	WSLP-1470-005m-PM-DFB	5mW	PMF	9um	Coaxial	FC	√	×
	WSLX-1470-005m-PM-H8-T-DFB	5mW	PMF	9um	8-Pin	FC	√	√
1490nm	WSLP-1490-002m-9-DFB	2mW	SMF-28	9um	Coaxial	FC/SMA	√	×
	WSLP-1490-005m-9-DFB	5mW	SMF-28	9um	Coaxial	FC/SMA	√	×
	WSLX-1490-005m-9-H8-T-DFB	5mW	SMF-28	9um	8-Pin	FC/SMA	√	√
	WSLP-1490-005m-PM-DFB	5mW	PMF	9um	Coaxial	FC	√	×
	WSLX-1490-005m-PM-H8-T-DFB	5mW	PMF	9um	8-Pin	FC	√	√
1510nm	WSLP-1510-002m-9-DFB	2mW	SMF-28	9um	Coaxial	FC/SMA	√	×
	WSLP-1510-005m-9-DFB	5mW	SMF-28	9um	Coaxial	FC/SMA	√	×
	WSLX-1510-005m-9-H8-T-DFB	5mW	SMF-28	9um	8-Pin	FC/SMA	√	√
	WSLP-1510-005m-PM-DFB	5mW	PMF	9um	Coaxial	FC	√	×
	WSLX-1510-005m-PM-H8-T-DFB	5mW	PMF	9um	8-Pin	FC	√	√
1530nm	WSLP-1530-002m-9-DFB	2mW	SMF-28	9um	Coaxial	FC/SMA	√	×
	WSLP-1530-005m-9-DFB	5mW	SMF-28	9um	Coaxial	FC/SMA	√	×
	WSLX-1530-005m-9-H8-T-DFB	5mW	SMF-28	9um	8-Pin	FC/SMA	√	√
	WSLP-1530-005m-PM-DFB	5mW	PMF	9um	Coaxial	FC	√	×
	WSLX-1530-005m-PM-H8-T-DFB	5mW	PMF	9um	8-Pin	FC	√	√
1550nm	WSLP-1550-002m-9-FP	2mW	SMF-28	9um	Coaxial	FC/SMA	√	×
	WSLP-1550-003m-9-DFB	3mW	SMF-28	9um	Coaxial	FC/SMA	√	×
	WSLP-1550-005m-9-DFB	5mW	SMF-28	9um	Coaxial	FC/SMA	√	×
	WSLX-1550-005m-9-H8-T-DFB	5mW	SMF-28	9um	8-Pin	FC/SMA	√	√
	WSLP-1550-010m-9-DFB	10mW	SMF-28	9um	Coaxial	FC/SMA	√	×
	WSLX-1550-010m-9-H8-T-DFB	10mW	SMF-28	9um	8-Pin	FC/SMA	√	√
	WSLP-1550-005m-PM-DFB	5mW	PMF	9um	Coaxial	FC	√	×
	WSLX-1550-005m-PM-H8-T-DFB	5mW	PMF	9um	8-Pin	FC	√	√
	WSLP-1550-010m-PM-DFB	10mW	PMF	9um	Coaxial	FC	√	×
	WSLX-1550-010m-PM-H8-T-DFB	10mW	PMF	9um	8-Pin	FC	√	√
1570nm	WSLP-1570-002m-9-DFB	2mW	SMF-28	9um	Coaxial	FC/SMA	√	×
	WSLP-1570-005m-9-DFB	5mW	SMF-28	9um	Coaxial	FC/SMA	√	×

Note: √:Yes, ○:Optional, ×:No.

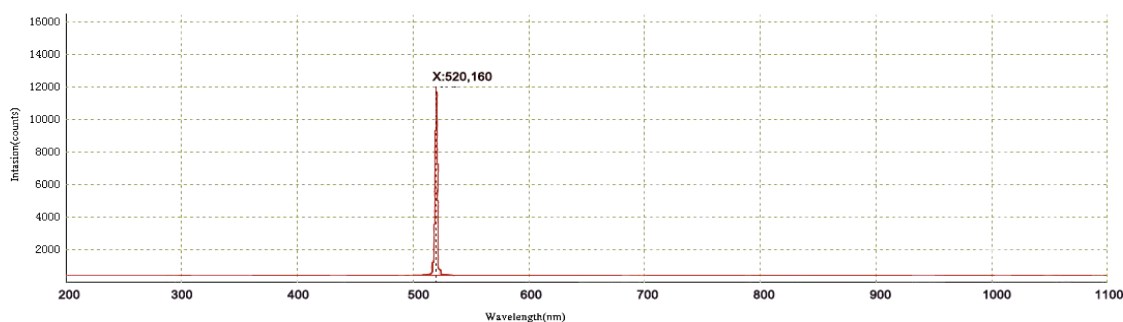
Wavelength	Part Number	Output Power	Fiber Type	Fiber Core	Package	Connector	PD	TEC
1570nm	WSLX-1570-005m-9-H8-T-DFB	5mW	SMF-28	9um	8-Pin	FC/SMA	√	√
	WSLP-1570-005m-PM-DFB	5mW	PMF	9um	Coaxial	FC	√	×
	WSLX-1570-005m-PM-H8-T-DFB	5mW	PMF	9um	8-Pin	FC	√	√
1590nm	WSLP-1590-002m-9-DFB	2mW	SMF-28	9um	Coaxial	FC/SMA	√	×
	WSLP-1590-005m-9-DFB	5mW	SMF-28	9um	Coaxial	FC/SMA	√	×
	WSLX-1590-005m-9-H8-T-DFB	5mW	SMF-28	9um	8-Pin	FC/SMA	√	√
	WSLP-1590-005m-PM-DFB	5mW	PMF	9um	Coaxial	FC	√	×
	WSLX-1590-005m-PM-H8-T-DFB	5mW	PMF	9um	8-Pin	FC	√	√
1610nm	WSLP-1610-002m-9-DFB	2mW	SMF-28	9um	Coaxial	FC/SMA	√	×
	WSLP-1610-005m-9-DFB	5mW	SMF-28	9um	Coaxial	FC/SMA	√	×
	WSLX-1610-005m-9-H8-T-DFB	5mW	SMF-28	9um	8-Pin	FC/SMA	√	√
	WSLP-1610-005m-PM-DFB	5mW	PMF	9um	Coaxial	FC	√	×
	WSLX-1610-005m-PM-H8-T-DFB	5mW	PMF	9um	8-Pin	FC	√	√
1625nm	WSLP-1625-002m-9-DFB	2mW	SMF-28	9um	Coaxial	FC/SMA	√	×
	WSLP-1625-005m-9-DFB	5mW	SMF-28	9um	Coaxial	FC/SMA	√	×
	WSLX-1625-005m-9-H8-T-DFB	5mW	SMF-28	9um	8-Pin	FC/SMA	√	√
	WSLP-1625-005m-PM-DFB	5mW	PMF	9um	Coaxial	FC	√	×
	WSLX-1625-005m-PM-H8-T-DFB	5mW	PMF	9um	8-Pin	FC	√	√
1650nm	WSLP-1650-002m-9-DFB	2mW	SMF-28	9um	Coaxial	FC/SMA	√	×
	WSLP-1650-005m-9-DFB	5mW	SMF-28	9um	Coaxial	FC/SMA	√	×
	WSLX-1650-005m-9-H8-T-DFB	5mW	SMF-28	9um	8-Pin	FC/SMA	√	√
	WSLP-1650-005m-PM-DFB	5mW	PMF	9um	Coaxial	FC	√	×
	WSLX-1650-005m-PM-H8-T-DFB	5mW	PMF	9um	8-Pin	FC	√	√

Note: √:Yes, ○:Optional, ×:No.

Laser Beam Profile:

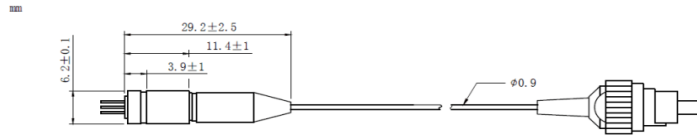


Spectrum:

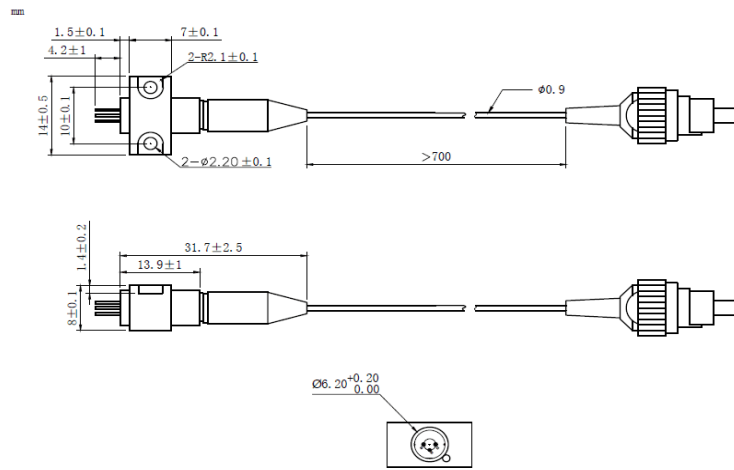




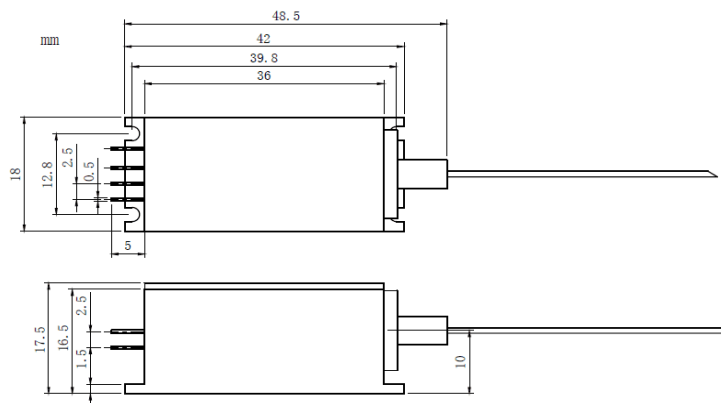
**Coaxial Package View:**



**B8 Package View (with heat-sink) :**



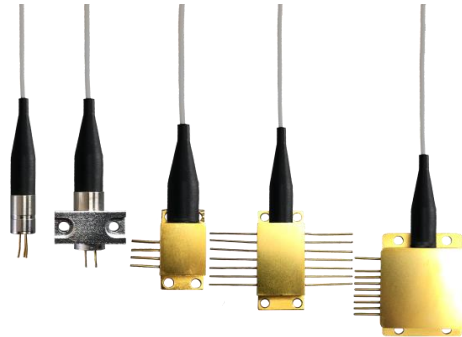
**8-Pin Package View (built-in TEC) :**



## Multi-mode Fiber Coupled Laser Module

### PRODUCT FEATURE

405nm~1920nm  
 5mW~50W Output Power  
 50um/ 105um/ 200um/ 400um Fiber Core  
 Coaxial/ 2-PIN/ 4-PIN/ 14-PIN/ 9-PIN Package  
 Built-in TE Cooler Optional  
 Built-in Photodiode Optional  
 Red/Green Aiming Beam Optional for IR LASER  
 Long Lifetime  
 High Stability  
 Customized Wavelength  
 Customized Output Power  
 Customized Fiber Core



### PRODUCT OVERVIEW

Multi-mode Fiber Coupled Laser Module is the competitive product of WAVESPECTRUM.

We offer High Coupling Efficient Solution for 405nm~1920nm Pigtailed Laser Module with 50um,105um,200um,400um Fiber Core, the output power ranges from 5mW to 50W. Meanwhile, the TE Cooler and Photodiode is optional for customers, the Green or Red Aiming Beam is also optional for IR Lasers. We can integrate these functions into the Laser Module as per customer's requirement. The standard package of the lasers can be Coaxial,2-PIN,4-PIN,14-PIN and 9-PIN.

WAVESPECTRUM also offer the Customized Solution for Pigtailed Laser Modules, such as Customized Wavelength, Customized Power, Customized Fiber Core and Customized Package to meet the special needs of customers.

WAVESPECTRUM use laser welding technology to guarantee the long-term reliability of the laser structure. To ensure the long-term reliability, each laser diode will undergo rigorous testing and aging in the factory. Meanwhile the high-low storage temperature circulation is also necessary for each laser diode. We set the storage temperature range from -40°C to +85°C, and it lasts 10 cycles, which will ensure the long-term reliability of the coupling structure.



Wavelength	Part Number	Output Power	Fiber Type	Fiber Core	Package	Connector	PD	TEC
405nm	WSLP-405-005m-M-PD	5mW	MMF	UV 50um	Coaxial	FC	√	×
	WSLP-405-200m-50M	200mW	MMF	UV 50um	Coaxial	FC	×	×
	WSLX-405-200m-50M-H-T	200mW	MMF	UV 50um	HHL-01	FC	○	√
	WSLX-405-200m-50M-H14-T-PD	200mW	MMF	UV 50um	14-Pin	FC	√	√
	WSLP-405-200m-105M	200mW	MMF	UV 105um	Coaxial	FC	×	×
	WSLX-405-200m-105M-H-T	200mW	MMF	UV 105um	HHL-01	FC	○	√
	WSLP-405-300m-50M	300mW	MMF	UV 50um	Coaxial	FC	×	×
	WSLX-405-300m-50M-H-T	300mW	MMF	UV 50um	HHL-01	FC	○	√
	WSLP-405-300m-105M	300mW	MMF	UV 105um	Coaxial	FC	×	×
	WSLX-405-300m-105M-H-T	300mW	MMF	UV 105um	HHL-01	FC	○	√
	WSLX-405-300m-105M-H14-T-PD	300mW	MMF	UV 105um	14-Pin	FC	√	√
	WSLP-405-350m-50M	350mW	MMF	UV 50um	Coaxial	FC	×	×
	WSLX-405-350m-50M-H-T	350mW	MMF	UV 50um	HHL-01	FC	○	√
	WSLP-405-350m-105M	350mW	MMF	UV 105um	Coaxial	FC	×	×
	WSLX-405-350m-105M-H-T	350mW	MMF	UV 105um	HHL-01	FC	○	√
445nm	WSLP-445-050m-M	50mW	MMF	UV 105um	Coaxial	FC	×	×
	WSLX-445-050m-M-H8-T	50mW	MMF	UV 105um	8-Pin	FC	○	√
	WSLX-445-050m-M-H8-T-PD	50mW	MMF	UV 105um	8-Pin	FC	√	√
	WSLP-445-080m-M	80mW	MMF	UV 105um	Coaxial	FC	×	×
	WSLX-445-080m-M-H8-T	80mW	MMF	UV 105um	8-Pin	FC	○	√
	WSLP-445-800m-M	800mW	MMF	UV 105um	Coaxial	FC	×	×
	WSLX-445-800m-M-H14-T-PD	800mW	MMF	UV 105um	14-Pin	FC	√	√
	WSLP-445-001-M	1W	MMF	UV 105um	Coaxial	FC	×	×
	WSLX-445-001-M-H-T	1W	MMF	UV 105um	HHL-01	FC	○	√
	WSLP-445-3500m-105M	3.5W	MMF	105um	Coaxial	FC	×	×
	WSLP-445-3500m-200M	3.5W	MMF	200um	Coaxial	FC	×	×
	WSLX-445-3500m-105M-H9-T-PD	3.5W	MMF	105um	9-Pin	FC	√	√
	WSLX-445-3500m-200M-H9-T-PD	3.5W	MMF	200um	9-Pin	FC	√	√
	WSLX-445-010-200M-H	10W	MMF	200um	P4	FC	○	○
	WSLX-445-020-400M-H	20W	MMF	400um	P5	FC	○	○
465nm	WSLP-465-002-M	2W	MMF	105um	Coaxial	FC	×	×
	WSLX-465-002-M-H9-T-PD	2W	MMF	105um	9-Pin	FC	√	√
	WSLX-465-007-200M-H	7W	MMF	200um	P4	FC	○	○
	WSLX-465-015-400M-H	15W	MMF	400um	P5	FC	○	○
488nm	WSLP-488-030m-M	30mW	MMF	105um	Coaxial	FC	×	×
	WSLX-488-030m-M-H8-T	30mW	MMF	105um	8-Pin	FC	○	√
	WSLX-488-030m-M-H8-T-PD	30mW	MMF	105um	8-Pin	FC	√	√
	WSLP-488-040m-M	40mW	MMF	105um	Coaxial	FC	×	×
	WSLX-488-040m-M-H8-T	40mW	MMF	105um	8-Pin	FC	○	√
505nm	WSLP-505-020m-M-PD	20mW	MMF	105um	Coaxial	FC	√	×

Note: √:Yes, ○:Optional, ×:No.

Wavelength	Part Number	Output Power	Fiber Type	Fiber Core	Package	Connector	PD	TEC
505nm	WSLX-505-020m-M-H8-T-PD	20mW	MMF	105um	8-Pin	FC	√	√
	WSLP-505-030m-M	30mW	MMF	105um	Coaxial	FC	×	×
	WSLX-505-030m-M-H8-T	30mW	MMF	105um	8-Pin	FC	○	√
	WSLP-505-050m-M	50mW	MMF	105um	Coaxial	FC	×	×
	WSLX-505-050m-M-H8-T	50mW	MMF	105um	8-Pin	FC	○	√
520nm	WSLP-520-030m-M-PD	30mW	MMF	105um	Coaxial	FC	√	×
	WSLX-520-030m-M-H8-T-PD	30mW	MMF	105um	8-Pin	FC	√	√
	WSLP-520-050m-M-PD	50mW	MMF	105um	Coaxial	FC	√	×
	WSLX-520-050m-M-H8-T-PD	50mW	MMF	105um	8-Pin	FC	√	√
	WSLP-520-700m-50M	700mW	MMF	50um	Coaxial	FC	×	×
	WSLX-520-700m-50M-H9-T-PD	700mW	MMF	50um	9-Pin	FC	√	√
	WSLP-520-700m-105M	700mW	MMF	105um	Coaxial	FC	×	×
	WSLX-520-700m-105M-H9-T-PD	700mW	MMF	105um	9-Pin	FC	√	√
	WSLX-520-002-105M-H	2W	MMF	105um	P4	FC	○	○
	WSLX-520-005-400M-H	5W	MMF	400um	P5	FC	○	○
525nm	WSLP-525-700m-50M	700mW	MMF	50um	Coaxial	FC	×	×
	WSLX-525-700m-50M-H9-T-PD	700mW	MMF	50um	9-Pin	FC	√	√
	WSLP-525-700m-105M	700mW	MMF	105um	Coaxial	FC	×	×
	WSLX-525-700m-105M-H9-T-PD	700mW	MMF	105um	9-Pin	FC	√	√
	WSLX-525-002-200M-H	2W	MMF	200um	P4	FC	○	○
	WSLX-525-005-400M-H	5W	MMF	400um	P5	FC	○	○
635nm	WSLP-635-005m-M-PD	5mW	MMF	105um	Coaxial	FC	√	×
	WSLP-635-100m-M	100mw	MMF	105um	Coaxial	FC	×	×
	WSLX-635-100m-M-H8-T	100mW	MMF	105um	8-Pin	FC	○	√
	WSLX-635-100m-M-H8-T-PD	100mW	MMF	105um	8-Pin	FC	√	√
	WSLP-635-150m-M	150mW	MMF	105um	Coaxial	FC	×	×
	WSLX-635-150m-M-H8-T	150mW	MMF	105um	8-Pin	FC	○	√
	WSLP-635-200m-M	200mW	MMF	105um	Coaxial	FC	×	×
	WSLX-635-200m-M-H8-T	200mW	MMF	105um	8-Pin	FC	○	√
	WSLP-635-300m-M	300mW	MMF	105um	Coaxial	FC	×	×
	WSLX-635-300m-M-H8-T	300mW	MMF	105um	8-Pin	FC	○	√
	WSLX-635-400m-M-H4	400mW	MMF	105um	4-Pin	FC	○	×
	WSLX-635-400m-M-H14-T-PD	400mW	MMF	105um	14-Pin	FC	√	√
	WSLP-635-800m-50M	800mW	MMF	50um	Coaxial	FC	×	×
	WSLX-635-800m-50M-H9-T-PD	800mW	MMF	50um	9-Pin	FC	√	√
	WSLP-635-001-M	1W	MMF	105um	Coaxial	FC	×	×
	WSLX-635-001-M-H9-T-PD	1W	MMF	105um	9-Pin	FC	√	√
	WSLP-635-1800m-M	1.8W	MMF	200um	Coaxial	FC	×	×
	WSLX-635-1800m-M-H9-T-PD	1.8W	MMF	200um	9-Pin	FC	√	√
658nm	WSLP-650-030m-M-PD	30mW	MMF	105um	Coaxial	FC	√	×

Note: √:Yes, ○:Optional, ×:No.

Wavelength	Part Number	Output Power	Fiber Type	Fiber Core	Package	Connector	PD	TEC
658nm	WSLX-650-030m-M-H8-T-PD	30mW	MMF	105um	8-Pin	FC	√	√
	WSLP-650-050m-M-PD	50mW	MMF	105um	Coaxial	FC	√	×
	WSLX-650-050m-M-H8-T-PD	50mW	MMF	105um	8-Pin	FC	√	√
	WSLP-650-100m-M	100mW	MMF	105um	Coaxial	FC	×	×
	WSLX-650-100m-M-H8-T	100mW	MMF	105um	8-Pin	FC	○	√
	WSLX-650-100m-M-H8-T-PD	100mW	MMF	105um	8-Pin	FC	√	√
	WSLP-650-150m-M	150mW	MMF	105um	Coaxial	FC	×	×
	WSLX-650-150m-M-H8-T	150mW	MMF	105um	8-Pin	FC	○	√
	WSLX-650-800m-M-H4	800mw	MMF	105um	4-Pin	FC	○	×
	WSLX-650-800m-M-H9-T-PD	800mw	MMF	105um	9-Pin	FC	√	√
670nm	WSLP-670-005m-M-PD	5mW	MMF	105um	Coaxial	FC	√	×
	WSLX-670-005m-M-H8-T-PD	5mW	MMF	105um	8-Pin	FC	√	√
	WSLP-670-010m-M-PD	10mW	MMF	105um	Coaxial	FC	√	×
	WSLX-670-010m-M-H8-T-PD	10mW	MMF	105um	8-Pin	FC	√	√
680nm	WSLX-680-800m-M-H4	800mW	MMF	105um	4-Pin	FC	○	×
	WSLX-680-800m-M-H9-T-PD	800mW	MMF	105um	9-Pin	FC	√	√
685nm	WSLP-685-030m-M-PD	30mW	MMF	105um	Coaxial	FC	√	×
	WSLX-685-030m-M-H8-T-PD	30mW	MMF	105um	8-Pin	FC	√	√
760nm	WSLX-760-1500m-M-H2	1.5W	MMF	105um	2-Pin	FC	×	×
	WSLX-760-1500m-M-H14-T-PD	1.5W	MMF	105um	14-Pin	FC	√	√
785nm	WSLP-785-015m-M-PD	15mW	MMF	105um	Coaxial	FC	√	×
	WSLX-785-015m-M-H8-T-PD	15mW	MMF	105um	8-Pin	FC	√	√
	WSLP-785-050m-M-PD	50mW	MMF	105um	Coaxial	FC	√	×
	WSLX-785-050m-M-H8-T-PD	50mW	MMF	105um	8-Pin	FC	√	√
	WSLP-785-080m-M-PD	80mw	MMF	105um	Coaxial	FC	√	×
	WSLX-785-080m-M-H8-T-PD	80mW	MMF	105um	8-Pin	FC	√	√
	WSLP-785-100m-M-PD	100mw	MMF	105um	Coaxial	FC	√	×
	WSLX-785-100m-M-H8-T-PD	100mW	MMF	105um	8-Pin	FC	√	√
	WSLX-785-001-M-H14-T-PD	1W	MMF	105um	14-Pin	FC	√	√
	WSLX-785-003-M-H2	3W	MMF	105um	2-Pin	FC	×	×
WSLX-785-003-M-H9-T-PD	3W	MMF	105um	9-Pin	FC	√	√	
808nm	WSLP-808-150m-M-PD	150mW	MMF	62.5um	Coaxial	FC	√	×
	WSLX-808-150m-M-H8-T-PD	150mW	MMF	62.5um	8-Pin	FC	√	√
	WSLP-808-200m-M-PD	200mW	MMF	105um	Coaxial	FC	√	×
	WSLX-808-200m-M-H8-T-PD	200mW	MMF	105um	8-Pin	FC	√	√
	WSLP-808-700m-M	700mW	MMF	105um	Coaxial	FC	○	×
	WSLX-808-002-M-H14-T-PD	2W	MMF	105um	14-Pin	FC	√	√
	WSLX-808-2500m-M-H2	2.5W	MMF	105um	2-Pin	FC	×	×
	WSLX-808-004-M-H2	4W	MMF	105um	2-Pin	FC	×	×
	WSLX-808-004-M-H9-T-PD	4W	MMF	105um	9-Pin	FC	√	√

Note: √:Yes, ○:Optional, ×:No.

Wavelength	Part Number	Output Power	Fiber Type	Fiber Core	Package	Connector	PD	TEC
808nm	WSLX-808-005-M-H2	5W	MMF	105um	2-Pin	FC	×	×
	WSLX-808-008-M-H2	8W	MMF	105um	2-Pin	FC	×	×
	WSLX-808-008-M-H9-T-PD	8W	MMF	105um	9-Pin	FC	√	√
830nm	WSLP-830-120m-M-PD	120mW	MMF	105um	Coaxial	FC	√	×
	WSLX-830-120m-M-H8-T-PD	120mW	MMF	105um	8-Pin	FC	√	√
	WSLP-830-150m-M-PD	150mW	MMF	105um	Coaxial	FC	√	×
	WSLX-830-150m-M-H8-T-PD	150mW	MMF	105um	8-Pin	FC	√	√
	WSLP-830-700m-M	700mW	MMF	105um	Coaxial	FC	○	×
	WSLX-830-001-M-H2	1W	MMF	50um	2-Pin	FC	×	×
	WSLX-830-002-M-H4	2W	MMF	50um	4-Pin	FC	○	×
	WSLX-830-002-50M-H14-T-PD	2W	MMF	50um	14-Pin	FC	√	√
	WSLX-830-002-105M-H14-T-PD	2W	MMF	105um	14-Pin	FC	√	√
	WSLX-830-003-M-H2	3W	MMF	105um	2-Pin	FC	×	×
850nm	WSLP-850-050m-M-PD	50mW	MMF	105um	Coaxial	FC	√	×
	WSLX-850-050m-M-H8-T-PD	50mW	MMF	105um	8-Pin	FC	√	√
	WSLP-850-150m-M-PD	150mW	MMF	105um	Coaxial	FC	√	×
	WSLX-850-150m-M-H8-T-PD	150mW	MMF	105um	8-Pin	FC	√	√
	WSLP-850-200m-M-PD	200mW	MMF	105um	Coaxial	FC	√	×
	WSLX-850-200m-M-H8-T-PD	200mW	MMF	105um	8-Pin	FC	√	√
860nm	WSLP-860-700m-M	700mW	MMF	105um	Coaxial	FC	○	×
	WSLX-860-002-M-H4	2W	MMF	105um	4-Pin	FC	○	×
	WSLX-860-002-M-H14-T-PD	2W	MMF	105um	14-Pin	FC	√	√
880nm	WSLP-880-005m-M-PD	5mW	MMF	105um	Coaxial	FC	√	×
	WSLX-880-005m-M-H8-T-PD	5mW	MMF	105um	8-Pin	FC	√	√
	WSLX-880-002-M-H14-T-PD	2W	MMF	105um	14-Pin	FC	√	√
	WSLX-880-003-M-H2	3W	MMF	105um	2-Pin	FC	×	×
905nm	WSLP-905-050m-M-PD	50mW	MMF	105um	Coaxial	FC	√	×
	WSLX-905-050m-M-H8-T-PD	50mW	MMF	105um	8-Pin	FC	√	√
915nm	WSLX-915-010-M-H2	10W	MMF	105um	2-Pin	FC	×	×
	WSLX-915-012-M-H2	12W	MMF	105um	2-Pin	FC	×	×
940nm	WSLP-940-100m-M-PD	100mw	MMF	105um	Coaxial	FC	√	×
	WSLX-940-100m-M-H8-T-PD	100mW	MMF	105um	8-Pin	FC	√	√
	WSLP-940-150m-M-PD	150mW	MMF	105um	Coaxial	FC	√	×
	WSLX-940-150m-M-H8-T-PD	150mW	MMF	105um	8-Pin	FC	√	√
	WSLP-940-700m-M	700mW	MMF	105um	Coaxial	FC	○	×
	WSLX-940-002-M-H14-T-PD	2W	MMF	105um	14-Pin	FC	√	√
	WSLX-940-003-M-H2	3W	MMF	105um	2-Pin	FC	×	×
	WSLX-940-004-M-H9-T-PD	4W	MMF	105um	9-Pin	FC	√	√
	WSLX-940-010-M-H2	10W	MMF	105um	2-Pin	FC	×	×
	WSLX-940-012-M-H2	12W	MMF	105um	2-Pin	FC	×	×

Note: √:Yes, ○:Optional, ×:No.

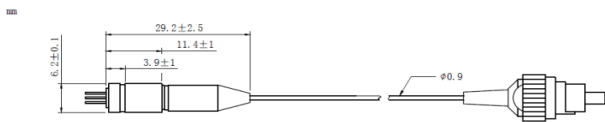
Wavelength	Part Number	Output Power	Fiber Type	Fiber Core	Package	Connector	PD	TEC
980nm	WSLP-980-030m-M-PD	30mw	MMF	105um	Coaxial	FC	√	×
	WSLP-980-100m-M-PD	100mw	MMF	105um	Coaxial	FC	√	×
	WSLX-980-100m-M-H8-T-PD	100mW	MMF	105um	8-Pin	FC	√	√
	WSLP-980-150m-M-PD	150mw	MMF	105um	Coaxial	FC	√	×
	WSLX-980-150m-M-H8-T-PD	150mW	MMF	105um	8-Pin	FC	√	√
	WSLP-980-700m-M	700mw	MMF	105um	Coaxial	FC	○	×
	WSLX-980-002-M-H14-T-PD	2W	MMF	105um	14-Pin	FC	√	√
	WSLX-980-003-M-H2	3W	MMF	105um	2-Pin	FC	×	×
	WSLX-980-004-M-H9-T-PD	4W	MMF	105um	9-Pin	FC	√	√
	WSLX-980-010-M-H2	10W	MMF	105um	2-Pin	FC	×	×
	WSLX-980-012-M-H2	12W	MMF	105um	2-Pin	FC	×	×
1064nm	WSLP-1064-030m-M-PD	30mW	MMF	105um	Coaxial	FC	√	×
	WSLX-1064-030m-M-H8-T-PD	30mW	MMF	105um	8-Pin	FC	√	√
	WSLP-1064-100m-M-PD	100mW	MMF	105um	Coaxial	FC	√	×
	WSLX-1064-100m-M-H-T-PD	100mW	MMF	105um	HHL-01	FC	√	√
	WSLX-1064-001-M-H14-T-PD	1W	MMF	105um	14-Pin	FC	√	√
	WSLX-1064-004-M-H2	4W	MMF	105um	2-Pin	FC	×	×
	WSLX-1064-004-M-H9-T-PD	4W	MMF	105um	9-Pin	FC	√	√
	WSLX-1064-007-M-H2	7W	MMF	105um	2-Pin	FC	×	×
1210nm	WSLX-1210-001-M-H14-T-PD	1W	MMF	105um	14-Pin	FC	√	√
	WSLX-1210-1200m-M-H2	1.2W	MMF	105um	2-Pin	FC	×	×
1280nm	WSLX-1280-001-M-H14-T-PD	1W	MMF	105um	14-Pin	FC	√	√
	WSLX-1280-1200m-M-H2	1.2W	MMF	105um	2-Pin	FC	×	×
1310nm	WSLX-1310-001-M-H14-T-PD	1W	MMF	105um	14-Pin	FC	√	√
	WSLX-1310-1200m-M-H2	1.2W	MMF	105um	2-Pin	FC	×	×
1330nm	WSLX-1330-001-M-H14-T-PD	1W	MMF	105um	14-Pin	FC	√	√
	WSLX-1330-1200m-M-H2	1.2W	MMF	105um	2-Pin	FC	×	×
1450nm	WSLX-1450-002-M-H2	2W	MMF	105um	2-Pin	FC	×	×
	WSLX-1450-002-M-H9-T-PD	2W	MMF	105um	9-Pin	FC	√	√
1470nm	WSLX-1470-800m-M-H14-T-PD	800mW	MMF	105um	14-Pin	FC	√	√
	WSLX-1470-001-M-H2	1W	MMF	105um	2-Pin	FC	×	×
	WSLX-1470-002-M-H9-T-PD	2W	MMF	105um	9-Pin	FC	√	√
	WSLX-1470-2500m-M-H2	2.5W	MMF	105um	2-Pin	FC	×	×
1490nm	WSLX-1490-1500m-M-H9-T-PD	1.5W	MMF	105um	9-Pin	FC	√	√
	WSLX-1490-002-M-H2	2W	MMF	105um	2-Pin	FC	×	×
1530nm	WSLX-1530-002-M-H2	2W	MMF	105um	2-Pin	FC	×	×
	WSLX-1530-002-M-H9-T-PD	2W	MMF	105um	9-Pin	FC	√	√
1550nm	WSLX-1550-002-M-H9-T-PD	2W	MMF	105um	9-Pin	FC	√	√
	WSLX-1550-2500m-M-H2	2.5W	MMF	105um	2-Pin	FC	×	×
1720nm	WSLX-1720-800m-M-H9-T-PD	800mW	MMF	105um	9-Pin	FC	√	√

Note: √:Yes, ○:Optional, ×:No.

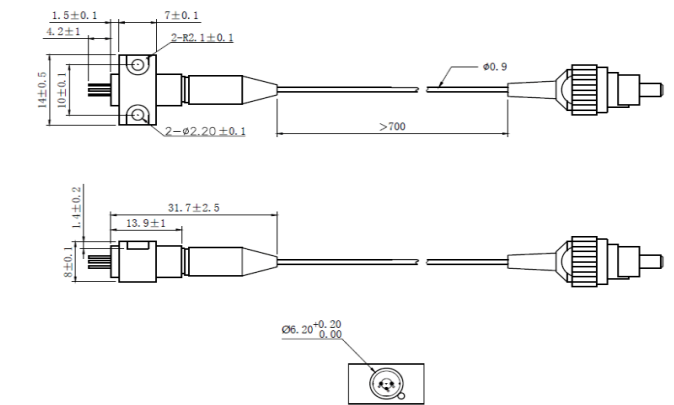
Wavelength	Part Number	Output Power	Fiber Type	Fiber Core	Package	Connector	PD	TEC
1720nm	WSLX-1720-001-M-H2	1W	MMF	105um	2-Pin	FC	×	×
1900nm	WSLX-1900-500m-M-H2	500mW	MMF	105um	2-Pin	FC	×	×
	WSLX-1900-500m-M-H9-T-PD	500mW	MMF	105um	9-Pin	FC	√	√
1920nm	WSLX-1920-500m-M-H2	500mW	MMF	105um	2-Pin	FC	×	×
	WSLX-1920-500m-M-H9-T-PD	500mW	MMF	105um	9-Pin	FC	√	√

Note: √:Yes, ○:Optional, ×:No.

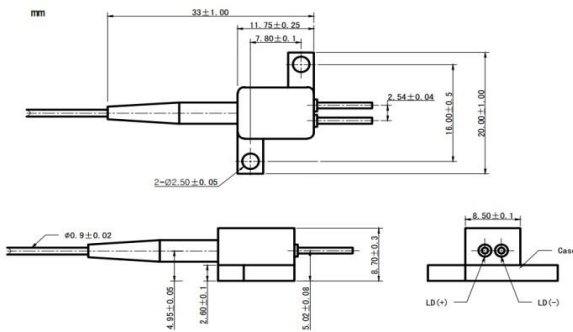
Coaxial Package View:



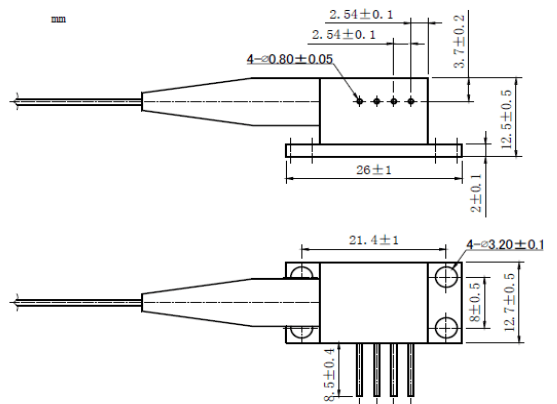
B8 Package View (with heat-sink) :



2-Pin Package View :

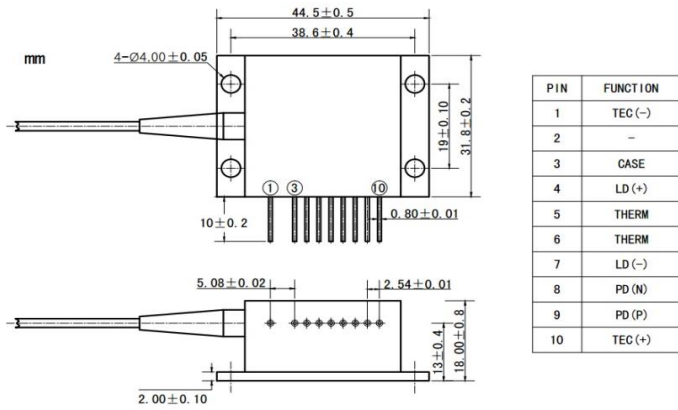


4-Pin Package View :

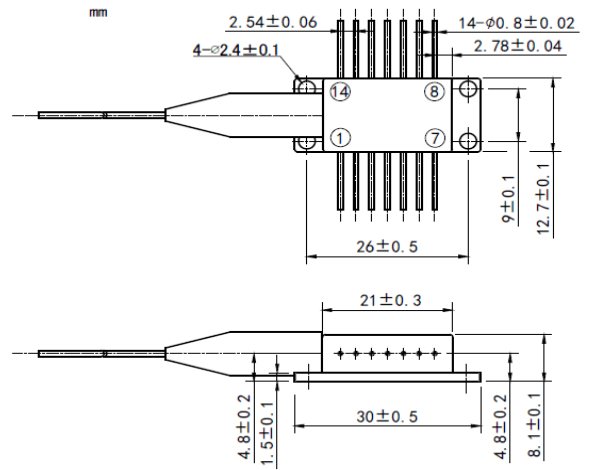




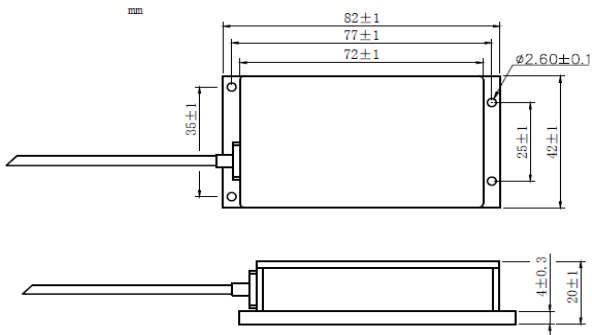
**9-Pin Package View :**



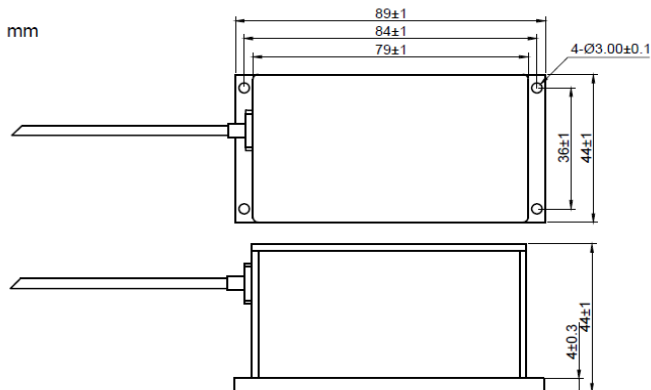
**14-Pin Package View :**



**P4 Package View :**



**P5 Package View :**



## Single Mode Laser Diode

### PRODUCT FEATURE

405nm~1650nm  
 Single Mode Beam Output  
 10mW~300mW Output Power  
 TO38 / TO18 / TO5 Package  
 Built-in Photodiodes Optional  
 Long Lifetime  
 High Stability



### PRODUCT OVERVIEW

Single Mode Laser Diode is the competitive product of WAVESPECTRUM.

We offer the high quality Laser Diode with single mode beam, the wavelength range is from 405nm to 1650nm and the output power ranges from 5mW to 300mW. The photodiode is optional for customers. Now the standard package can be TO38, TO18 and TO5 Package.

WAVESPECTRUM adopt AuSn solder technology to package the laser diode. To ensure the long-term reliability, each laser diode will undergo rigorous testing and aging in factory. Meanwhile the high-low storage temperature circulation is also necessary for each laser diode. We set the storage temperature range from -40°C to +85°C, and it lasts 10 cycles, which will ensure the long-term stability of laser diode.



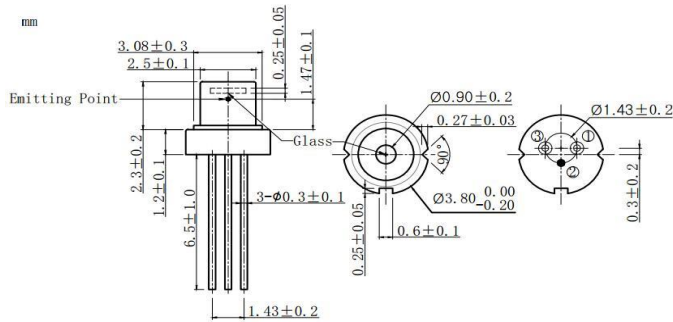
Wavelength	Part Number	Output Power	Mode Type	Laser Type	Package	PD	FAC
405nm	WSLD-405-010m-1-PD	10mW	SM	FP	TO18	√	×
	WSLD-405-150m-1(3.8mm)	150mW	SM	FP	TO38	×	×
	WSLD-405-150m-1(5.6mm)	150mW	SM	FP	TO18	×	×
	WSLD-405-200m-1	200mW	SM	FP	TO38	×	×
	WSLD-405-250m-1	250mW	SM	FP	TO18	×	×
	WSLD-405-300m-1(SM)	300mW	SM	FP	TO18	×	×
445nm	WSLD-445-050m-1	50mW	SM	FP	TO38	×	×
	WSLD-445-100m-1(3.8mm)	100mW	SM	FP	TO38	×	×
	WSLD-445-100m-1(5.6mm)	100mW	SM	FP	TO18	×	×
488nm	WSLD-488-050m-1	50mW	SM	FP	TO18	×	×
505nm	WSLD-505-030m-1-PD	30mW	SM	FP	TO18	√	×
	WSLD-505-050m-1	50mW	SM	FP	TO18	×	×
	WSLD-505-080m-1	80mW	SM	FP	TO18	×	×
520nm	WSLD-520-010m-1-PD	10mW	SM	FP	TO18	√	×
	WSLD-520-050m-1	50mW	SM	FP	TO38	×	×
	WSLD-520-050m-1-PD	50mW	SM	FP	TO18	√	×
	WSLD-520-080m-1	80mW	SM	FP	TO38	×	×
	WSLD-520-080m-1-PD	80mW	SM	FP	TO18	√	×
525nm	WSLD-525-080m-1-PD	80mW	SM	FP	TO18	√	×
635nm	WSLD-635-015m-1-PD	15mW	SM	FP	TO18	√	×
	WSLD-635-030m-1-PD	30mW	SM	FP	TO18	√	×
	WSLD-635-050m-1-PD	50mW	SM	FP	TO18	√	×
	WSLD-635-130m-1	130mW	SM	FP	TO38	×	×
	WSLD-635-180m-1	180mW	SM	FP	TO18	×	×
658nm	WSLD-650-050m-1-PD	50mW	SM	FP	TO18	√	×
	WSLD-650-100m-1	100mW	SM	FP	TO18	×	×
	WSLD-650-150m-1	150mW	SM	FP	TO18	×	×
	WSLD-650-180m-1	180mW	SM	FP	TO18	×	×
785nm	WSLD-785-100m-1-PD	100mW	SM	FP	TO18	√	×
	WSLD-785-100m-1-PD-R	100mW	SM	FP	TO18	√	×
	WSLD-785-120m-1-PD	120mW	SM	FP	TO18	√	×
808nm	WSLD-808-050m-2-PD	50mW	SM	FP	TO5	√	×
	WSLD-808-100m-2-PD	100mW	SM	FP	TO5	√	×
830nm	WSLD-830-050m-1-PD	50mW	SM	FP	TO18	√	×
	WSLD-830-100m-1-PD	100mW	SM	FP	TO18	√	×
	WSLD-830-150m-1-PD	150mW	SM	FP	TO18	√	×
	WSLD-830-200m-1-PD	200mW	SM	FP	TO18	√	×
	WSLD-830-250m-1-PD	250mW	SM	FP	TO18	√	×
850nm	WSLD-850-050m-1-PD	50mW	SM	FP	TO18	√	×
880nm	WSLD-880-010m-1-PD	10mW	SM	FP	TO18	√	×

Note: √:Yes, ○:Optional, ×:No.

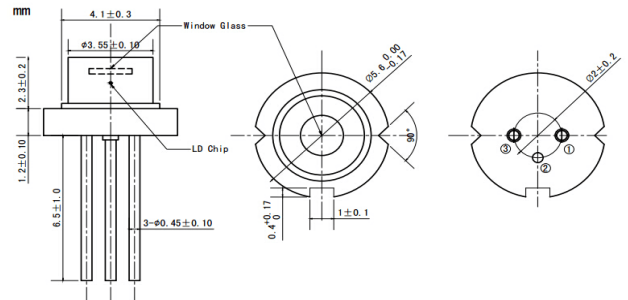
Wavelength	Part Number	Output Power	Mode Type	Laser Type	Package	PD	FAC
940nm	WSLD-940-200m-1-PD	200mW	SM	FP	TO18	√	×
980nm	WSLD-980-050m-1-PD	50mW	SM	FP	TO18	√	×
	WSLD-980-080m-1-PD	80mW	SM	FP	TO18	√	×
1064nm	WSLD-1064-050m-1-PD	50mW	SM	FP	TO18	√	×
	WSLD-1064-100m-2-PD	100mW	SM	FP	TO5	√	×
	WSLD-1064-150m-2-PD	150mW	SM	FP	TO5	√	×
	WSLD-1064-200m-2-PD	200mW	SM	FP	TO5	√	×
1310nm	WSLD-1310-020m-1-PD	20mW	SM	DFB	TO18	√	×
	WSLD-1310-020m-1-PD-F	20mW	SM	DFB	TO18	√	×
	WSLD-1310-030m-1-PD	30mW	SM	DFB	TO18	√	×
	WSLD-1310-030m-1-PD-F	30mW	SM	DFB	TO18	√	×
1550nm	WSLD-1550-015m-1-PD	15mW	SM	DFB	TO18	√	×
	WSLD-1550-015m-1-PD-F	15mW	SM	DFB	TO18	√	×
	WSLD-1550-020m-1-PD	20mW	SM	DFB	TO18	√	×
	WSLD-1550-020m-1-PD-F	20mW	SM	DFB	TO18	√	×

Note: √:Yes, ○:Optional, ×:No.

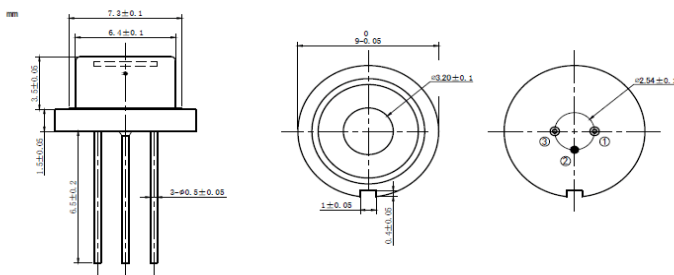
TO38 Package View :



TO18 Package View :



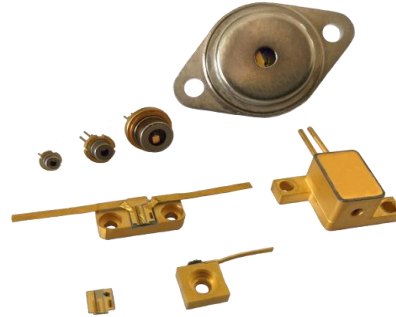
TO5 Package View :



## Multi-mode Laser Diode

### PRODUCT FEATURE

405nm~1920nm  
 Multi-mode Beam Output  
 300mW~15W Output Power  
 TO18 /TO5 /TO3 /C-mount/E-mount Package  
 FAC Lens Optional  
 Built-in Photodiode Optional  
 Long Lifetime  
 High Stability



### PRODUCT OVERVIEW

Multi-mode Laser Diode is the competitive product of WAVESPECTRUM.

We offer the high quality laser diode with multi-mode beam, the wavelength range is from 405nm to 1920nm and the output power is from 300mW to 15W. The photodiode is optional for the lasers. Meanwhile, the FAC Lens is optional. With FAC Lens, we can offer 1:1 Square Beam and 1:4 , 1:8 Line Shape Beam. The standard package can be TO18, TO5, TO3, C-mount , E-mount and H-mount package.

WAVESPECTRUM adopt AuSn solder technology to package the laser diode. To ensure the long-term reliability, each laser diode will undergo rigorous testing and aging in factory. Meanwhile the high-low storage temperature circulation is also necessary for each laser diode. We set the storage temperature range from -40°C to +85°C, and it lasts 10 cycles, which will ensure the long-term Stability of Laser Diode.



Wavelength	Part Number	Output Power	Mode Type	Laser Type	Package	PD	FAC
405nm	WSLD-405-300m-1	300mW	MM	FP	TO18	×	×
	WSLD-405-400m-1	400mW	MM	FP	TO18	×	×
445nm	WSLD-445-1500m-1	1.5W	MM	FP	TO18	×	×
	WSLD-445-4500m-2	4.5W	MM	FP	TO5	×	○
	WSLD-445-4500m-K	4.5W	MM	FP	TO5	×	×
	WSLD-445-4500m-2-FAC	4.5W	MM	FP	TO5	×	✓
520nm	WSLD-520-001-2	1W	MM	FP	TO5	×	○
	WSLD-520-001-K	1W	MM	FP	TO5	×	×
	WSLD-520-001-2-FAC	1W	MM	FP	TO5	×	✓
525nm	WSLD-525-001-2	1W	MM	FP	TO5	×	○
	WSLD-525-001-K	1W	MM	FP	TO5	×	×
	WSLD-525-001-2-FAC	1W	MM	FP	TO5	×	✓
635nm	WSLD-635-500m-C	500mW	MM	FP	C-mount	×	○
	WSLD-635-500m-1-FAC	500mW	MM	FP	TO18	×	✓
	WSLD-635-700m-1	700mW	MM	FP	TO18	×	×
	WSLD-635-001-2	1W	MM	FP	TO5	×	○
	WSLD-635-002-2	2W	MM	FP	TO5	×	○
	WSLD-635-001-2-FAC	1W	MM	FP	TO5	×	✓
	WSLD-635-002-2-FAC	2W	MM	FP	TO5	×	✓
658nm	WSLD-650-001-C	1W	MM	FP	C-mount	×	○
	WSLD-650-001-3	1W	MM	FP	TO3	×	○
	WSLD-650-001-E	1W	MM	FP	E-mount	×	○
680nm	WSLD-680-001-C	1W	MM	FP	C-mount	×	○
	WSLD-680-001-3	1W	MM	FP	TO3	×	○
	WSLD-680-001-E	1W	MM	FP	E-mount	×	○
785nm	WSLD-785-003-C	3W	MM	FP	C-mount	×	○
	WSLD-785-003-E	3W	MM	FP	E-mount	×	○
	WSLD-785-003-H	3W	MM	FP	H-mount	×	○
	WSLD-785-005-C	5W	MM	FP	C-mount	×	○
	WSLD-785-005-E	5W	MM	FP	E-mount	×	○
	WSLD-785-005-H	5W	MM	FP	H-mount	×	○
808nm	WSLD-808-300m-1-PD	300mW	MM	FP	TO18	✓	×
	WSLD-808-001-2-PD	1W	MM	FP	TO5	✓	○
	WSLD-808-002-2	2W	MM	FP	TO5	○	○
	WSLD-808-003-C	3W	MM	FP	C-mount	×	○
	WSLD-808-003-2	3W	MM	FP	TO5	○	○
	WSLD-808-003-3	3W	MM	FP	TO3	×	○
	WSLD-808-005-C	5W	MM	FP	C-mount	×	○
	WSLD-808-005-3	5W	MM	FP	TO3	×	○
	WSLD-808-005-E	5W	MM	FP	E-mount	×	○

Note: ✓:Yes, ○:Optional, ×:No.

Wavelength	Part Number	Output Power	Mode Type	Laser Type	Package	PD	FAC
808nm	WSLD-808-005-H	5W	MM	FP	H-mount	×	○
	WSLD-808-008-E	8W	MM	FP	E-mount	×	○
	WSLD-808-008-H	8W	MM	FP	H-mount	×	○
	WSLD-808-010-E	10W	MM	FP	E-mount	×	○
	WSLD-808-010-H	10W	MM	FP	H-mount	×	○
830nm	WSLD-830-001-2-PD	1W	MM	FP	TO5	√	○
	WSLD-830-002-2	2W	MM	FP	TO5	○	○
	WSLD-830-003-C	3W	MM	FP	C-mount	×	○
	WSLD-830-003-3	3W	MM	FP	TO3	×	○
	WSLD-830-003-E	3W	MM	FP	E-mount	×	○
	WSLD-830-003-H	3W	MM	FP	H-mount	×	○
850nm	WSLD-850-300m-1-PD	300mW	MM	FP	TO18	√	×
	WSLD-850-500m-1	500mW	MM	FP	TO18	×	×
	WSLD-850-500m-1-PD	500mW	MM	FP	TO18	√	×
	WSLD-850-800m-1	800mW	MM	FP	TO18	×	×
	WSLD-850-001-1	1W	MM	FP	TO18	×	×
860nm	WSLD-860-001-2-PD	1W	MM	FP	TO5	√	○
	WSLD-860-002-2	2W	MM	FP	TO5	○	○
	WSLD-860-003-2	3W	MM	FP	TO5	○	○
	WSLD-860-003-3	3W	MM	FP	TO3	×	○
	WSLD-860-003-C	3W	MM	FP	C-mount	×	○
	WSLD-860-003-E	3W	MM	FP	E-mount	×	○
880nm	WSLD-880-003-C	3W	MM	FP	C-mount	×	○
	WSLD-880-003-3	3W	MM	FP	TO3	×	○
	WSLD-880-003-E	3W	MM	FP	E-mount	×	○
	WSLD-880-003-H	3W	MM	FP	H-mount	×	○
	WSLD-880-008-E	8W	MM	FP	E-mount	×	○
	WSLD-880-008-H	8W	MM	FP	H-mount	×	○
915nm	WSLD-915-012-E	12W	MM	FP	E-mount	×	○
	WSLD-915-012-H	12W	MM	FP	H-mount	×	○
	WSLD-915-015-E	15W	MM	FP	E-mount	×	○
	WSLD-915-015-H	15W	MM	FP	H-mount	×	○
940nm	WSLD-940-001-2-PD	1W	MM	FP	TO5	√	○
	WSLD-940-002-2	2W	MM	FP	TO5	○	○
	WSLD-940-003-C	3W	MM	FP	C-mount	×	○
	WSLD-940-003-3	3W	MM	FP	TO3	×	○
	WSLD-940-005-C	5W	MM	FP	C-mount	×	○
	WSLD-940-005-3	5W	MM	FP	TO3	×	○
	WSLD-940-012-E	12W	MM	FP	E-mount	×	○
	WSLD-940-012-H	12W	MM	FP	H-mount	×	○

Note: √:Yes, ○:Optional, ×:No.

Wavelength	Part Number	Output Power	Mode Type	Laser Type	Package	PD	FAC
940nm	WSLD-940-015-E	15W	MM	FP	E-mount	×	○
	WSLD-940-015-H	15W	MM	FP	H-mount	×	○
980nm	WSLD-980-200m-1-PD	200mW	MM	FP	TO18	√	×
	WSLD-980-001-2-PD	1W	MM	FP	TO5	√	○
	WSLD-980-002-2	2W	MM	FP	TO5	○	○
	WSLD-980-003-C	3W	MM	FP	C-mount	×	○
	WSLD-980-003-3	3W	MM	FP	TO3	×	○
	WSLD-980-004-C	4W	MM	FP	C-mount	×	○
	WSLD-980-004-3	4W	MM	FP	TO3	×	○
	WSLD-980-005-C	5W	MM	FP	C-mount	×	○
	WSLD-980-005-3	5W	MM	FP	TO3	×	○
	WSLD-980-012-E	12W	MM	FP	E-mount	×	○
	WSLD-980-012-H	12W	MM	FP	H-mount	×	○
	WSLD-980-015-E	15W	MM	FP	E-mount	×	○
	WSLD-980-015-H	15W	MM	FP	H-mount	×	○
	1064nm	WSLD-1064-008-E	8W	MM	FP	E-mount	×
WSLD-1064-008-H		8W	MM	FP	H-mount	×	○
WSLD-1064-010-E		10W	MM	FP	E-mount	×	○
WSLD-1064-010-H		10W	MM	FP	H-mount	×	○
1210nm	WSLD-1210-1500m-C	1.5W	MM	FP	C-mount	×	○
	WSLD-1210-1500m-3	1.5W	MM	FP	TO3	×	○
	WSLD-1210-1500m-E	1.5W	MM	FP	E-mount	×	○
	WSLD-1210-1500m-H	1.5W	MM	FP	H-mount	×	○
1280nm	WSLD-1280-1500m-C	1.5W	MM	FP	C-mount	×	○
	WSLD-1280-1500m-3	1.5W	MM	FP	TO3	×	○
	WSLD-1280-1500m-E	1.5W	MM	FP	E-mount	×	○
	WSLD-1280-1500m-H	1.5W	MM	FP	H-mount	×	○
1310nm	WSLD-1310-1500m-C	1.5W	MM	FP	C-mount	×	○
	WSLD-1310-1500m-3	1.5W	MM	FP	TO3	×	○
	WSLD-1310-1500m-E	1.5W	MM	FP	E-mount	×	○
	WSLD-1310-1500m-H	1.5W	MM	FP	H-mount	×	○
1330nm	WSLD-1330-1500m-C	1.5W	MM	FP	C-mount	×	○
	WSLD-1330-1500m-3	1.5W	MM	FP	TO3	×	○
	WSLD-1330-1500m-E	1.5W	MM	FP	E-mount	×	○
	WSLD-1330-1500m-H	1.5W	MM	FP	H-mount	×	○
1450nm	WSLD-1450-002-E	2W	MM	FP	E-mount	×	○
	WSLD-1450-002-H	2W	MM	FP	H-mount	×	○
1470nm	WSLD-1470-001-C	1W	MM	FP	C-mount	×	○
	WSLD-1470-001-3	1W	MM	FP	TO3	×	○
	WSLD-1470-003-E	3W	MM	FP	E-mount	×	○

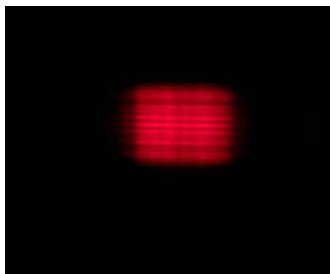
Note: √:Yes, ○:Optional, ×:No.



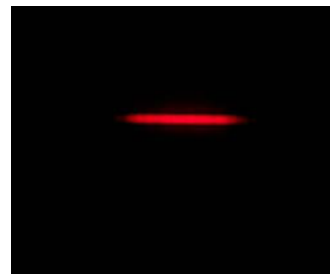
Wavelength	Part Number	Output Power	Mode Type	Laser Type	Package	PD	FAC
1470nm	WSLD-1470-003-H	3W	MM	FP	H-mount	×	○
1490nm	WSLD-1490-2500m-C	2.5W	MM	FP	C-mount	×	○
	WSLD-1490-2500m-3	2.5W	MM	FP	TO3	×	○
	WSLD-1490-2500m-E	2.5W	MM	FP	E-mount	×	○
	WSLD-1490-2500m-H	2.5W	MM	FP	H-mount	×	○
1530nm	WSLD-1530-002-E	2W	MM	FP	E-mount	×	○
	WSLD-1530-002-H	2W	MM	FP	H-mount	×	○
1550nm	WSLD-1550-003-E	3W	MM	FP	E-mount	×	○
	WSLD-1550-003-H	3W	MM	FP	H-mount	×	○
1720nm	WSLD-1720-001-C	1W	MM	FP	C-mount	×	○
	WSLD-1720-001-3	1W	MM	FP	TO3	×	○
	WSLD-1720-001-E	1W	MM	FP	E-mount	×	○
	WSLD-1720-001-H	1W	MM	FP	H-mount	×	○
1900nm	WSLD-1900-700m-C	700mW	MM	FP	C-mount	×	○
	WSLD-1900-700m-3	700mW	MM	FP	TO3	×	○
	WSLD-1900-700m-E	700mW	MM	FP	E-mount	×	○
	WSLD-1900-700m-H	700mW	MM	FP	H-mount	×	○
1920nm	WSLD-1920-700m-C	700mW	MM	FP	C-mount	×	○
	WSLD-1920-700m-3	700mW	MM	FP	TO3	×	○
	WSLD-1920-700m-E	700mW	MM	FP	E-mount	×	○
	WSLD-1920-700m-H	700mW	MM	FP	H-mount	×	○

Note: √:Yes, ○:Optional, ×:No.

**Beam Spot Shape:**

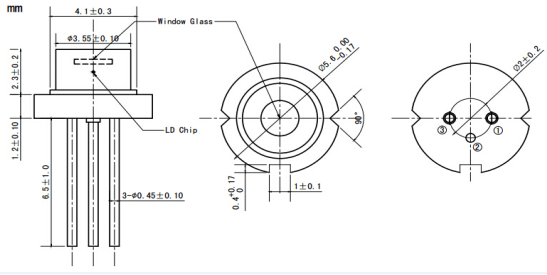


With FAC lens (1:1)

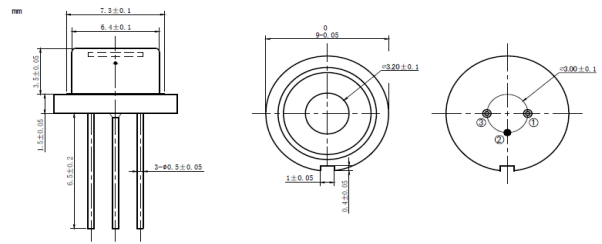


With FAC lens (1:4)

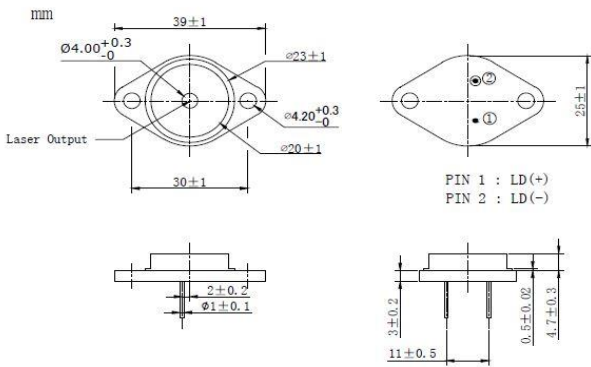
**TO18 Package View :**



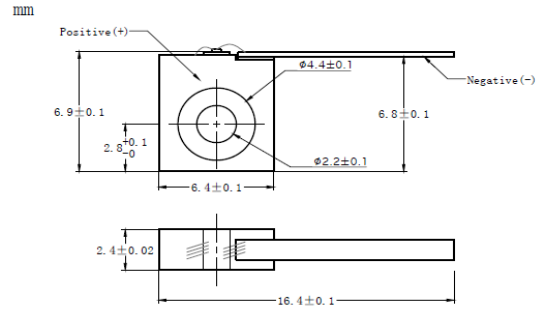
**TO5 Package View :**



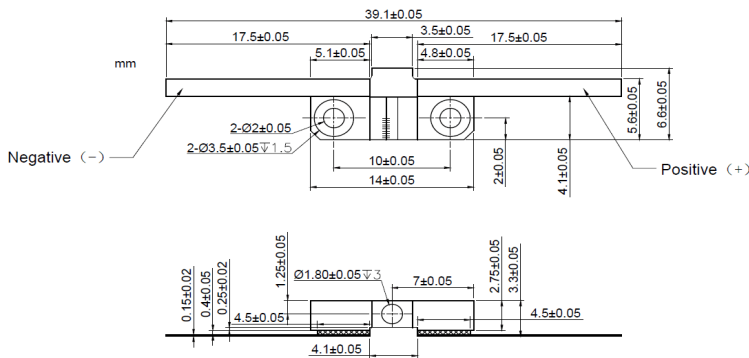
**TO3 Package View :**



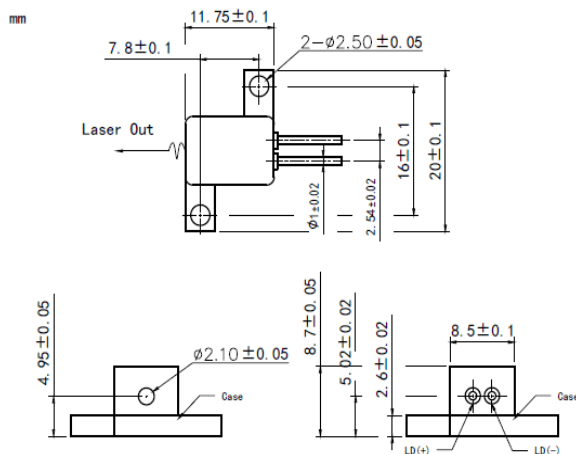
**C-mount Package View :**



**E-mount Package View :**



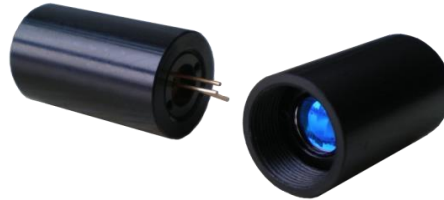
**H-mount Package View (Window Package) :**



## Collimated Laser Diode

### PRODUCT FEATURE

405nm~1650nm  
 Single mode and Multi-mode Beam Output  
 5mW~5W Output Power  
 Compact Package  
 Built-in Photodiode Optional  
 Long Lifetime  
 High Stability



### PRODUCT OVERVIEW

Collimated Laser Diode is the competitive product of WAVESPECTRUM.

We offer the high quality Collimated Laser Diode with Single mode and Multi-mode Beam. The wavelength ranges from 405nm to 1650nm and the output power is from 5mW to 5W. The Photodiode is an option for customers. Meanwhile, with the Aspheric lens, the collimated Laser Diode has a small divergence and perfect beam quality.

To ensure the long-term reliability, each Collimated laser diode will undergo rigorous testing and aging in factory. Meanwhile the high-low storage temperature circulation is also necessary for each laser diode. We set the storage temperature range from -40°C to +85°C, and it lasts 10 cycles, which will ensure the long-term Stability of Collimated Laser Diode.



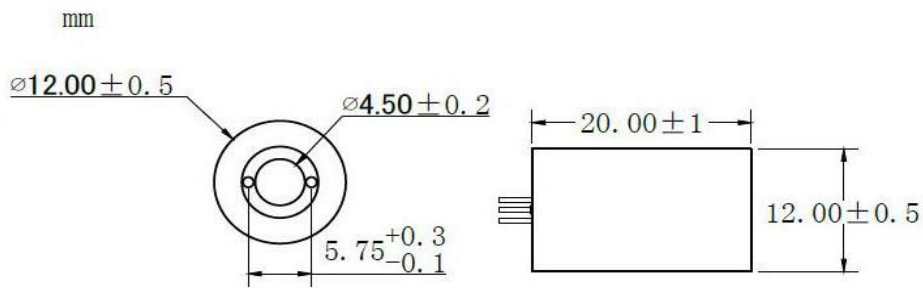
Wavelength	Part Number	Output Power	Mode Type	Photodiodes	Beam Divergence
405nm	WSLM-405-150m-K	150mW	Single Mode	×	≤1mrad
	WSLM-405-200m-K	200mW	Single Mode	×	≤1mrad
	WSLM-405-250m-K	250mW	Single Mode	×	≤1mrad
445nm	WSLM-445-050m-K	50mW	Single Mode	×	≤1mrad
	WSLM-445-080m-K	80mW	Single Mode	×	≤1mrad
488nm	WSLM-488-040m-K	40mW	Single Mode	×	≤1mrad
505nm	WSLM-505-050m-K	50mW	Single Mode	×	≤1mrad
520nm	WSLM-520-050m-K	50mW	Single Mode	×	≤1mrad
635nm	WSLM-635-010m-K	10mW	Single Mode	√	≤1mrad
	WSLM-635-040m-K	40mW	Single Mode	√	≤1mrad
	WSLM-635-150m-K	150mW	Single Mode	×	≤1mrad
	WSLM-635-500m-K	500mW	Multi-mode	×	≤10mrad
	WSLM-635-001-K	1W	Multi-mode	×	≤10mrad
658nm	WSLM-650-040m-K	40mW	Single Mode	√	≤1mrad
	WSLM-650-100m-K	100mW	Single Mode	×	≤1mrad
	WSLM-650-150m-K	150mW	Single Mode	×	≤1mrad
670nm	WSLM-670-010m-K	10mW	Single Mode	√	≤1mrad
685nm	WSLM-685-030m-K	30mW	Single Mode	√	≤1mrad
	WSLM-685-050m-K	50mW	Single Mode	√	≤1mrad
785nm	WSLM-785-015m-K	15mW	Single Mode	√	≤1mrad
	WSLM-785-050m-K	50mW	Single Mode	√	≤1mrad
	WSLM-785-080m-K	80mW	Single Mode	√	≤1mrad
808nm	WSLM-808-050m-K	50mW	Single Mode	√	≤1mrad
	WSLM-808-100m-K	100mW	Single Mode	√	≤1mrad
	WSLM-808-800m-K	800mW	Multi Mode	○	≤10mrad
830nm	WSLM-830-150m-K	150mW	Single Mode	√	≤1mrad
	WSLM-830-200m-K	200mW	Single Mode	√	≤1mrad
	WSLM-830-800m-K	800mW	Multimode	○	≤10mrad
850nm	WSLM-850-030m-K	30mW	Single Mode	√	≤1mrad
	WSLM-850-150m-K	150mW	Single Mode	√	≤1mrad
860nm	WSLM-860-800m-K	800mW	Multimode	○	≤10mrad
880nm	WSLM-880-005m-K	5mW	Single Mode	√	≤1mrad
905nm	WSLM-905-080m-K	80mW	Single Mode	√	≤1mrad
940nm	WSLM-940-150m-K	150mW	Single Mode	√	≤1mrad
	WSLM-940-800m-K	800mW	Multimode	○	≤10mrad
980nm	WSLM-980-030m-K	30mW	Single Mode	√	≤1mrad
	WSLM-980-080m-K	80mW	Single Mode	√	≤1mrad
	WSLM-980-800m-K	800mW	Multimode	○	≤10mrad
1064nm	WSLM-1064-040m-K	40mW	Single Mode	√	≤1mrad
	WSLM-1064-100m-K	100mW	Single Mode	√	≤1mrad

Note: √:Yes, ○:Optional, ×:No.

Wavelength	Part Number	Output Power	Mode Type	Photodiodes	Beam Divergence
1064nm	WSLM-1064-150m-K	150mW	Single Mode	√	≤1mrad
1310nm	WSLM-1310-015m-K	15mW	Single Mode	√	≤1mrad
	WSLM-1310-020m-K	20mW	Single Mode	√	≤1mrad
1550nm	WSLM-1550-010m-K	10mW	Single Mode	√	≤1mrad
	WSLM-1550-015m-K	15mW	Single Mode	√	≤1mrad

Note: √:Yes, ○:Optional, ×:No.

Package View :



## Turnkey Fiber Coupled Diode Laser System

### PRODUCT FEATURE

405nm~1920nm  
 Turnkey Laser System  
 SMF/PMF/MMF Optional  
 1mW~50W Output Power  
 Built-in TE Cooling & Driver  
 90V~240V AC Input  
 TTL/Analog Modulation  
 Long Lifetime  
 High Stability  
 Customized Wavelength/Power/Fiber Type



### PRODUCT OVERVIEW

Turnkey Fiber Coupled Diode Laser System is the most competitive product of WAVESPECTRUM.

We offer 405nm~1920nm Turnkey Fiber Coupled Laser Source with Single Mode Fiber (SMF), Multimode Fiber (MMF) and Polarization Maintaining Fiber (PMF) . The Output Power is from 1mW to 50W.

The Turnkey Fiber Coupled Diode Laser System contains the Fiber Coupled Laser Module, LD Driver and Temperature Control System. Just need Input 90V~240V AC can work the Laser Source, it is easy to use. To ensure the long-time reliability and power stability, each Laser System will undergo rigorous testing and aging in factory.



Wavelength	Part Number	Output Power Range	Fiber Type	Fiber Core	Supply Voltage	Connector	TEC	Analog	TTL
405nm	WSLS-405-015m-4	0 ~ 15mW	SM	3um	90V ~ 240VAC	FC/SMA	√	○	○
	WSLS-405-030m-4	0 ~ 30mW	SM	3um	90V ~ 240VAC	FC/SMA	√	○	○
	WSLS-405-050m-4	0 ~ 50mW	SM	3um	90V ~ 240VAC	FC/SMA	√	○	○
	WSLS-405-080m-4	0 ~ 80mW	SM	3um	90V ~ 240VAC	FC/SMA	√	○	○
	WSLS-405-100m-4	0 ~ 100mW	SM	3um	90V ~ 240VAC	FC/SMA	√	○	○
	WSLS-405-015m-PM	0 ~ 15mW	PM	3um	90V ~ 240VAC	FC	√	○	○
	WSLS-405-030m-PM	0 ~ 30mW	PM	3um	90V ~ 240VAC	FC	√	○	○
	WSLS-405-050m-PM	0 ~ 50mW	PM	3um	90V ~ 240VAC	FC	√	○	○
	WSLS-405-080m-PM	0 ~ 80mW	PM	3um	90V ~ 240VAC	FC	√	○	○
	WSLS-405-100m-PM	0 ~ 100mW	PM	3um	90V ~ 240VAC	FC	√	○	○
	WSLS-405-200m-M	0 ~ 200mW	MM	105um	90V ~ 240VAC	FC/SMA	√	○	○
	WSLS-405-300m-M	0 ~ 300mW	MM	105um	90V ~ 240VAC	FC/SMA	√	○	○
	WSLS-405-1200m-M	0 ~ 1.2W	MM	<400um	90V ~ 240VAC	FC/SMA	√	○	○
	WSLS-405-002-M	0 ~ 2W	MM	<400um	90V ~ 240VAC	FC/SMA	√	○	○
	WSLS-405-005-M	0 ~ 5W	MM	<650um	90V ~ 240VAC	FC/SMA	√	○	○
445nm	WSLS-445-020m-4	0 ~ 20mW	SM	3um	90V ~ 240VAC	FC/SMA	√	○	○
	WSLS-445-030m-4	0 ~ 30mW	SM	3um	90V ~ 240VAC	FC/SMA	√	○	○
	WSLS-445-040m-4	0 ~ 40mW	SM	3um	90V ~ 240VAC	FC/SMA	√	○	○
	WSLS-445-020m-PM	0 ~ 20mW	PM	3um	90V ~ 240VAC	FC	√	○	○
	WSLS-445-030m-PM	0 ~ 30mW	PM	3um	90V ~ 240VAC	FC	√	○	○
	WSLS-445-050m-M	0 ~ 50mW	MM	50um	90V ~ 240VAC	FC/SMA	√	○	○
	WSLS-445-001-M	0 ~ 1W	MM	105um	90V ~ 240VAC	FC/SMA	√	○	○
	WSLS-445-002-M	0 ~ 2W	MM	200um	90V ~ 240VAC	FC/SMA	√	○	○
	WSLS-445-3500m-M	0 ~ 3.5W	MM	200um	90V ~ 240VAC	FC/SMA	√	○	○
	WSLS-445-010-M	0 ~ 10W	MM	200um	90V ~ 240VAC	FC/SMA	√	○	○
	WSLS-445-020-M	0 ~ 20W	MM	400um	90V ~ 240VAC	FC/SMA	√	○	○
465nm	WSLS-465-002-M	0 ~ 2W	MM	105um	90V ~ 240VAC	FC/SMA	√	○	○
	WSLS-465-007-M	0 ~ 7W	MM	200um	90V ~ 240VAC	FC/SMA	√	○	○
	WSLS-465-015-M	0 ~ 15W	MM	400um	90V ~ 240VAC	FC/SMA	√	○	○
488nm	WSLS-488-015m-4	0 ~ 15mW	SM	3um	90V ~ 240VAC	FC/SMA	√	○	○
	WSLS-488-020m-4	0 ~ 20mW	SM	3um	90V ~ 240VAC	FC/SMA	√	○	○
	WSLS-488-015m-PM	0 ~ 15mW	PM	3um	90V ~ 240VAC	FC	√	○	○
	WSLS-488-020m-PM	0 ~ 20mW	PM	3um	90V ~ 240VAC	FC	√	○	○
	WSLS-488-040m-M	0 ~ 40mW	MM	105um	90V ~ 240VAC	FC/SMA	√	○	○
505nm	WSLS-505-010m-4	0 ~ 10mW	SM	3um	90V ~ 240VAC	FC/SMA	√	○	○
	WSLS-505-020m-4	0 ~ 20mW	SM	3um	90V ~ 240VAC	FC/SMA	√	○	○
	WSLS-505-010m-PM	0 ~ 10mW	PM	3um	90V ~ 240VAC	FC	√	○	○
	WSLS-505-020m-PM	0 ~ 20mW	PM	3um	90V ~ 240VAC	FC	√	○	○
	WSLS-505-030m-M	0 ~ 30mW	MM	105um	90V ~ 240VAC	FC/SMA	√	○	○
WSLS-505-050m-M	0 ~ 50mW	MM	105um	90V ~ 240VAC	FC/SMA	√	○	○	

Note: √:Yes, ○:Optional, ×:No.

Wavelength	Part Number	Output Power Range	Fiber Type	Fiber Core	Supply Voltage	Connector	TEC	Analog	TTL
520nm	WSLS-520-010m-4	0 ~ 10mW	SM	3um	90V ~ 240VAC	FC/SMA	√	○	○
	WSLS-520-020m-4	0 ~ 20mW	SM	3um	90V ~ 240VAC	FC/SMA	√	○	○
	WSLS-520-025m-4	0 ~ 25mW	SM	3um	90V ~ 240VAC	FC/SMA	√	○	○
	WSLS-520-010m-PM	0 ~ 10mW	PM	3um	90V ~ 240VAC	FC	√	○	○
	WSLS-520-020m-PM	0 ~ 20mW	PM	3um	90V ~ 240VAC	FC	√	○	○
	WSLS-520-025m-PM	0 ~ 25mW	PM	3um	90V ~ 240VAC	FC	√	○	○
	WSLS-520-050m-M	0 ~ 50mW	MM	105um	90V ~ 240VAC	FC/SMA	√	○	○
	WSLS-520-700m-M	0 ~ 700mW	MM	105um	90V ~ 240VAC	FC/SMA	√	○	○
	WSLS-520-002-M	0 ~ 2W	MM	105um	90V ~ 240VAC	FC/SMA	√	○	○
	WSLS-520-005-M	0 ~ 5W	MM	400um	90V ~ 240VAC	FC/SMA	√	○	○
525nm	WSLS-525-700m-M	0 ~ 700mW	MM	105um	90V ~ 240VAC	FC/SMA	√	○	○
	WSLS-525-002-M	0 ~ 2W	MM	200um	90V ~ 240VAC	FC/SMA	√	○	○
	WSLS-525-005-M	0 ~ 5W	MM	400um	90V ~ 240VAC	FC/SMA	√	○	○
635nm	WSLS-635-030m-4	0 ~ 30mW	SM	4um	90V ~ 240VAC	FC/SMA	√	○	○
	WSLS-635-050m-4	0 ~ 50mW	SM	4um	90V ~ 240VAC	FC/SMA	√	○	○
	WSLS-635-070m-4	0 ~ 70mW	SM	4um	90V ~ 240VAC	FC/SMA	√	○	○
	WSLS-635-030m-PM	0 ~ 30mW	PM	4um	90V ~ 240VAC	FC	√	○	○
	WSLS-635-050m-PM	0 ~ 50mW	PM	4um	90V ~ 240VAC	FC	√	○	○
	WSLS-635-070m-PM	0 ~ 70mW	PM	4um	90V ~ 240VAC	FC	√	○	○
	WSLS-635-100m-M	0 ~ 100mW	MM	105um	90V ~ 240VAC	FC/SMA	√	○	○
	WSLS-635-300m-M	0 ~ 300mW	MM	105um	90V ~ 240VAC	FC/SMA	√	○	○
	WSLS-635-001-M	0 ~ 1W	MM	105um	90V ~ 240VAC	FC/SMA	√	○	○
	WSLS-635-1800m-M	0 ~ 1.8W	MM	200um	90V ~ 240VAC	FC/SMA	√	○	○
	WSLS-635-003-M	0 ~ 3W	MM	<300um	90V ~ 240VAC	FC/SMA	√	○	○
	WSLS-635-005-M	0 ~ 5W	MM	<400um	90V ~ 240VAC	FC/SMA	√	○	○
	WSLS-635-007-M	0 ~ 7W	MM	<400um	90V ~ 240VAC	FC/SMA	√	○	○
658nm	WSLS-650-050m-4	0 ~ 50mW	SM	4um	90V ~ 240VAC	FC/SMA	√	○	○
	WSLS-650-080m-4	0 ~ 80mW	SM	4um	90V ~ 240VAC	FC/SMA	√	○	○
	WSLS-650-100m-4	0 ~ 100mW	SM	4um	90V ~ 240VAC	FC/SMA	√	○	○
	WSLS-650-030m-PM	0 ~ 30mW	PM	4um	90V ~ 240VAC	FC	√	○	○
	WSLS-650-050m-PM	0 ~ 50mW	PM	4um	90V ~ 240VAC	FC	√	○	○
	WSLS-650-080m-PM	0 ~ 80mW	PM	4um	90V ~ 240VAC	FC	√	○	○
	WSLS-650-100m-M	0 ~ 100mW	MM	105um	90V ~ 240VAC	FC/SMA	√	○	○
	WSLS-650-700m-M	0 ~ 700mW	MM	105um	90V ~ 240VAC	FC/SMA	√	○	○
	WSLS-650-002-M	0 ~ 2W	MM	<300um	90V ~ 240VAC	FC/SMA	√	○	○
	WSLS-650-005-M	0 ~ 5W	MM	<400um	90V ~ 240VAC	FC/SMA	√	○	○
	670nm	WSLS-670-003m-4	0 ~ 3mW	SM	3um	90V ~ 240VAC	FC/SMA	√	○
WSLS-670-005m-4		0 ~ 5mW	SM	3um	90V ~ 240VAC	FC/SMA	√	○	○
WSLS-670-003m-PM		0 ~ 3mW	PM	3um	90V ~ 240VAC	FC	√	○	○
WSLS-670-005m-PM		0 ~ 5mW	PM	3um	90V ~ 240VAC	FC	√	○	○

Note: √:Yes, ○:Optional, ×:No.



Wavelength	Part Number	Output Power Range	Fiber Type	Fiber Core	Supply Voltage	Connector	TEC	Analog	TTL
680nm	WSLS-680-700m-M	0 ~ 700mW	MM	105um	90V ~ 240VAC	FC/SMA	√	○	○
	WSLS-680-002-M	0 ~ 2W	MM	<300um	90V ~ 240VAC	FC/SMA	√	○	○
	WSLS-680-005-M	0 ~ 5W	MM	<400um	90V ~ 240VAC	FC/SMA	√	○	○
685nm	WSLS-685-010m-4	0 ~ 10mW	SM	4um	90V ~ 240VAC	FC/SMA	√	○	○
	WSLS-685-015m-4	0 ~ 15mW	SM	4um	90V ~ 240VAC	FC/SMA	√	○	○
	WSLS-685-010m-PM	0 ~ 10mW	PM	4um	90V ~ 240VAC	FC	√	○	○
	WSLS-685-015m-PM	0 ~ 15mW	PM	4um	90V ~ 240VAC	FC	√	○	○
	WSLS-685-030m-M	0 ~ 30mW	MM	105um	90V ~ 240VAC	FC/SMA	√	○	○
760nm	WSLS-760-1500m-M	0 ~ 1.5W	MM	105um	90V ~ 240VAC	FC/SMA	√	○	○
	WSLS-760-004-M	0 ~ 4W	MM	<300um	90V ~ 240VAC	FC/SMA	√	○	○
785nm	WSLS-785-030m-4	0 ~ 30mW	SM	5um	90V ~ 240VAC	FC/SMA	√	○	○
	WSLS-785-040m-4	0 ~ 40mW	SM	5um	90V ~ 240VAC	FC/SMA	√	○	○
	WSLS-785-030m-PM	0 ~ 30mW	PM	5um	90V ~ 240VAC	FC	√	○	○
	WSLS-785-040m-PM	0 ~ 40mW	PM	5um	90V ~ 240VAC	FC	√	○	○
	WSLS-785-003-M	0 ~ 3W	MM	105um	90V ~ 240VAC	FC/SMA	√	○	○
	WSLS-785-008-M	0 ~ 8W	MM	<300um	90V ~ 240VAC	FC/SMA	√	○	○
	WSLS-785-015-M	0 ~ 15W	MM	<400um	90V ~ 240VAC	FC/SMA	√	○	○
WSLS-785-020-M	0 ~ 20W	MM	<400um	90V ~ 240VAC	FC/SMA	√	○	○	
808nm	WSLS-808-030m-4	0 ~ 30mW	SM	5um	90V ~ 240VAC	FC/SMA	√	○	○
	WSLS-808-050m-4	0 ~ 50mW	SM	5um	90V ~ 240VAC	FC/SMA	√	○	○
	WSLS-808-020m-PM	0 ~ 20mW	PM	5um	90V ~ 240VAC	FC	√	○	○
	WSLS-808-040m-PM	0 ~ 40mW	PM	5um	90V ~ 240VAC	FC	√	○	○
	WSLS-808-150m-M	0 ~ 150mW	MM	105um	90V ~ 240VAC	FC/SMA	√	○	○
	WSLS-808-002-M	0 ~ 2W	MM	105um	90V ~ 240VAC	FC/SMA	√	○	○
	WSLS-808-003-M	0 ~ 3W	MM	105um	90V ~ 240VAC	FC/SMA	√	○	○
	WSLS-808-004-M	0 ~ 4W	MM	105um	90V ~ 240VAC	FC/SMA	√	○	○
	WSLS-808-005-M	0 ~ 5W	MM	105um	90V ~ 240VAC	FC/SMA	√	○	○
	WSLS-808-007-M	0 ~ 7W	MM	105um	90V ~ 240VAC	FC/SMA	√	○	○
	WSLS-808-012-M	0 ~ 12W	MM	<300um	90V ~ 240VAC	FC/SMA	√	○	○
	WSLS-808-015-M	0 ~ 15W	MM	<400um	90V ~ 240VAC	FC/SMA	√	○	○
	WSLS-808-020-M	0 ~ 20W	MM	<300um	90V ~ 240VAC	FC/SMA	√	○	○
830nm	WSLS-830-030m-4	0 ~ 30mW	SM	5um	90V ~ 240VAC	FC/SMA	√	○	○
	WSLS-830-050m-4	0 ~ 50mW	SM	5um	90V ~ 240VAC	FC/SMA	√	○	○
	WSLS-830-080m-4	0 ~ 80mW	SM	5um	90V ~ 240VAC	FC/SMA	√	○	○
	WSLS-830-100m-4	0 ~ 100mW	SM	5um	90V ~ 240VAC	FC/SMA	√	○	○
	WSLS-830-030m-PM	0 ~ 30mW	PM	5um	90V ~ 240VAC	FC	√	○	○
	WSLS-830-050m-PM	0 ~ 50mW	PM	5um	90V ~ 240VAC	FC	√	○	○
	WSLS-830-080m-PM	0 ~ 80mW	PM	5um	90V ~ 240VAC	FC	√	○	○
	WSLS-830-100m-PM	0 ~ 100mW	PM	5um	90V ~ 240VAC	FC	√	○	○
	WSLS-830-120m-M	0 ~ 120mW	MM	105um	90V ~ 240VAC	FC/SMA	√	○	○

Note: √:Yes, ○:Optional, ×:No.

Wavelength	Part Number	Output Power Range	Fiber Type	Fiber Core	Supply Voltage	Connector	TEC	Analog	TTL
830nm	WSLS-830-001-M	0 ~ 1W	MM	50um	90V ~ 240VAC	FC/SMA	√	○	○
	WSLS-830-002-M	0 ~ 2W	MM	105um	90V ~ 240VAC	FC/SMA	√	○	○
	WSLS-830-003-M	0 ~ 3W	MM	105um	90V ~ 240VAC	FC/SMA	√	○	○
	WSLS-830-008-M	0 ~ 8W	MM	<300um	90V ~ 240VAC	FC/SMA	√	○	○
	WSLS-830-010-M	0 ~ 10W	MM	<400um	90V ~ 240VAC	FC/SMA	√	○	○
	WSLS-830-020-M	0 ~ 20W	MM	<400um	90V ~ 240VAC	FC/SMA	√	○	○
850nm	WSLS-850-030m-4	0 ~ 30mW	SM	5um	90V ~ 240VAC	FC/SMA	√	○	○
	WSLS-850-050m-4	0 ~ 50mW	SM	5um	90V ~ 240VAC	FC/SMA	√	○	○
	WSLS-850-070m-4	0 ~ 70mW	SM	5um	90V ~ 240VAC	FC/SMA	√	○	○
	WSLS-850-030m-PM	0 ~ 30mW	PM	5um	90V ~ 240VAC	FC	√	○	○
	WSLS-850-050m-PM	0 ~ 50mW	PM	5um	90V ~ 240VAC	FC	√	○	○
	WSLS-850-070m-PM	0 ~ 70mW	PM	5um	90V ~ 240VAC	FC	√	○	○
	WSLS-850-120m-M	0 ~ 120mW	MM	105um	90V ~ 240VAC	FC/SMA	√	○	○
860nm	WSLS-860-002-M	0 ~ 2W	MM	105um	90V ~ 240VAC	FC/SMA	√	○	○
	WSLS-860-006-M	0 ~ 6W	MM	<300um	90V ~ 240VAC	FC/SMA	√	○	○
	WSLS-860-010-M	0 ~ 10W	MM	<400um	90V ~ 240VAC	FC/SMA	√	○	○
880nm	WSLS-880-002m-4	0 ~ 2mW	SM	5um	90V ~ 240VAC	FC/SMA	√	○	○
	WSLS-880-002m-PM	0 ~ 2mW	PM	5um	90V ~ 240VAC	FC	√	○	○
	WSLS-880-002-M	0 ~ 2W	MM	105um	90V ~ 240VAC	FC/SMA	√	○	○
	WSLS-880-003-M	0 ~ 3W	MM	105um	90V ~ 240VAC	FC/SMA	√	○	○
	WSLS-880-008-M	0 ~ 8W	MM	<300um	90V ~ 240VAC	FC/SMA	√	○	○
	WSLS-880-010-M	0 ~ 10W	MM	<400um	90V ~ 240VAC	FC/SMA	√	○	○
	WSLS-880-020-M	0 ~ 20W	MM	<400um	90V ~ 240VAC	FC/SMA	√	○	○
905nm	WSLS-905-020m-4	0 ~ 20mW	SM	5um	90V ~ 240VAC	FC/SMA	√	○	○
	WSLS-905-030m-4	0 ~ 30mW	SM	5um	90V ~ 240VAC	FC/SMA	√	○	○
	WSLS-905-020m-PM	0 ~ 20mW	PM	5um	90V ~ 240VAC	FC	√	○	○
	WSLS-905-030m-PM	0 ~ 30mW	PM	5um	90V ~ 240VAC	FC	√	○	○
	WSLS-905-050m-M	0 ~ 50mW	MM	105um	90V ~ 240VAC	FC/SMA	√	○	○
915nm	WSLS-915-002-M	0 ~ 2W	MM	105um	90V ~ 240VAC	FC/SMA	√	○	○
	WSLS-915-010-M	0 ~ 10W	MM	105um	90V ~ 240VAC	FC/SMA	√	○	○
	WSLS-915-012-M	0 ~ 12W	MM	105um	90V ~ 240VAC	FC/SMA	√	○	○
	WSLS-915-030-M	0 ~ 30W	MM	<300um	90V ~ 240VAC	FC/SMA	√	○	○
	WSLS-915-050-M	0 ~ 50W	MM	<400um	90V ~ 240VAC	FC/SMA	√	○	○
940nm	WSLS-940-030m-4	0 ~ 30mW	SM	5um	90V ~ 240VAC	FC/SMA	√	○	○
	WSLS-940-050m-4	0 ~ 50mW	SM	5um	90V ~ 240VAC	FC/SMA	√	○	○
	WSLS-940-070m-4	0 ~ 70mW	SM	5um	90V ~ 240VAC	FC/SMA	√	○	○
	WSLS-940-030m-PM	0 ~ 30mW	PM	5um	90V ~ 240VAC	FC	√	○	○
	WSLS-940-050m-PM	0 ~ 50mW	PM	5um	90V ~ 240VAC	FC	√	○	○
	WSLS-940-070m-PM	0 ~ 70mW	PM	5um	90V ~ 240VAC	FC	√	○	○
	WSLS-940-100m-M	0 ~ 100mW	MM	105um	90V ~ 240VAC	FC/SMA	√	○	○

Note: √:Yes, ○:Optional, ×:No.

Wavelength	Part Number	Output Power Range	Fiber Type	Fiber Core	Supply Voltage	Connector	TEC	Analog	TTL
940nm	WSLS-940-002-M	0 ~ 2W	MM	105um	90V ~ 240VAC	FC/SMA	√	○	○
	WSLS-940-010-M	0 ~ 10W	MM	105um	90V ~ 240VAC	FC/SMA	√	○	○
	WSLS-940-012-M	0 ~ 12W	MM	105um	90V ~ 240VAC	FC/SMA	√	○	○
	WSLS-940-030-M	0 ~ 30W	MM	<300um	90V ~ 240VAC	FC/SMA	√	○	○
	WSLS-940-050-M	0 ~ 50W	MM	<400um	90V ~ 240VAC	FC/SMA	√	○	○
980nm	WSLS-980-010m-4	0 ~ 10mW	SM	6um	90V ~ 240VAC	FC/SMA	√	○	○
	WSLS-980-020m-4	0 ~ 20mW	SM	6um	90V ~ 240VAC	FC/SMA	√	○	○
	WSLS-980-100m-M	0 ~ 100mW	MM	105um	90V ~ 240VAC	FC/SMA	√	○	○
	WSLS-980-002-M	0 ~ 2W	MM	105um	90V ~ 240VAC	FC/SMA	√	○	○
	WSLS-980-010-M	0 ~ 10W	MM	105um	90V ~ 240VAC	FC/SMA	√	○	○
	WSLS-980-012-M	0 ~ 12W	MM	105um	90V ~ 240VAC	FC/SMA	√	○	○
	WSLS-980-030-M	0 ~ 30W	MM	<300um	90V ~ 240VAC	FC/SMA	√	○	○
WSLS-980-050-M	0 ~ 50W	MM	<400um	90V ~ 240VAC	FC/SMA	√	○	○	
1064nm	WSLS-1064-010m-4	0 ~ 10mW	SM	6um	90V ~ 240VAC	FC/SMA	√	○	○
	WSLS-1064-030m-4	0 ~ 30mW	SM	6um	90V ~ 240VAC	FC/SMA	√	○	○
	WSLS-1064-050m-4	0 ~ 50mW	SM	6um	90V ~ 240VAC	FC/SMA	√	○	○
	WSLS-1064-010m-PM	0 ~ 10mW	PM	5um	90V ~ 240VAC	FC	√	○	○
	WSLS-1064-030m-PM	0 ~ 30mW	PM	5um	90V ~ 240VAC	FC	√	○	○
	WSLS-1064-050m-PM	0 ~ 50mW	PM	5um	90V ~ 240VAC	FC	√	○	○
	WSLS-1064-001-M	0 ~ 1W	MM	105um	90V ~ 240VAC	FC/SMA	√	○	○
	WSLS-1064-007-M	0 ~ 7W	MM	105um	90V ~ 240VAC	FC/SMA	√	○	○
	WSLS-1064-020-M	0 ~ 20W	MM	<300um	90V ~ 240VAC	FC/SMA	√	○	○
1210nm	WSLS-1210-001-M	0 ~ 1W	MM	105um	90V ~ 240VAC	FC/SMA	√	○	○
	WSLS-1210-003-M	0 ~ 3W	MM	<300um	90V ~ 240VAC	FC/SMA	√	○	○
1270nm	WSLS-1270-005m-9	0 ~ 5mW	SM	9um	90V ~ 240VAC	FC/SMA	√	○	○
	WSLS-1270-005m-PM	0 ~ 5mW	PM	9um	90V ~ 240VAC	FC	√	○	○
1280nm	WSLS-1280-001-M	0 ~ 1W	MM	105um	90V ~ 240VAC	FC/SMA	√	○	○
	WSLS-1280-003-M	0 ~ 3W	MM	<300um	90V ~ 240VAC	FC/SMA	√	○	○
1290nm	WSLS-1290-005m-9	0 ~ 5mW	SM	9um	90V ~ 240VAC	FC/SMA	√	○	○
	WSLS-1290-005m-PM	0 ~ 5mW	PM	9um	90V ~ 240VAC	FC	√	○	○
1310nm	WSLS-1310-005m-9	0 ~ 5mW	SM	9um	90V ~ 240VAC	FC/SMA	√	○	○
	WSLS-1310-010m-9	0 ~ 10mW	SM	9um	90V ~ 240VAC	FC/SMA	√	○	○
	WSLS-1310-015m-9	0 ~ 15mW	SM	9um	90V ~ 240VAC	FC/SMA	√	○	○
	WSLS-1310-005m-PM	0 ~ 5mW	PM	9um	90V ~ 240VAC	FC	√	○	○
	WSLS-1310-010m-PM	0 ~ 10mW	PM	9um	90V ~ 240VAC	FC	√	○	○
	WSLS-1310-015m-PM	0 ~ 15mW	PM	9um	90V ~ 240VAC	FC	√	○	○
	WSLS-1310-001-M	0 ~ 1W	MM	105um	90V ~ 240VAC	FC/SMA	√	○	○
WSLS-1310-003-M	0 ~ 3W	MM	<300um	90V ~ 240VAC	FC/SMA	√	○	○	
1330nm	WSLS-1330-005m-9	0 ~ 5mW	SM	9um	90V ~ 240VAC	FC/SMA	√	○	○
	WSLS-1330-005m-9-PM	0 ~ 5mW	PM	9um	90V ~ 240VAC	FC	√	○	○

Note: √:Yes, ○:Optional, ×:No.

Wavelength	Part Number	Output Power Range	Fiber Type	Fiber Core	Supply Voltage	Connector	TEC	Analog	TTL
1330nm	WSLS-1330-001-M	0 ~ 1W	MM	105um	90V ~ 240VAC	FC/SMA	√	○	○
	WSLS-1330-003-M	0 ~ 3W	MM	<300um	90V ~ 240VAC	FC/SMA	√	○	○
1350nm	WSLS-1350-005m-9	0 ~ 5mW	SM	9um	90V ~ 240VAC	FC/SMA	√	○	○
	WSLS-1350-005m-PM	0 ~ 5mW	PM	9um	90V ~ 240VAC	FC	√	○	○
1370nm	WSLS-1370-005m-9	0 ~ 5mW	SM	9um	90V ~ 240VAC	FC/SMA	√	○	○
	WSLS-1370-005m-PM	0 ~ 5mW	PM	9um	90V ~ 240VAC	FC	√	○	○
1390nm	WSLS-1390-005m-9	0 ~ 5mW	SM	9um	90V ~ 240VAC	FC/SMA	√	○	○
	WSLS-1390-005m-PM	0 ~ 5mW	PM	9um	90V ~ 240VAC	FC	√	○	○
1410nm	WSLS-1410-005m-9	0 ~ 5mW	SM	9um	90V ~ 240VAC	FC/SMA	√	○	○
	WSLS-1410-005m-PM	0 ~ 5mW	PM	9um	90V ~ 240VAC	FC	√	○	○
1430nm	WSLS-1430-005m-9	0 ~ 5mW	SM	9um	90V ~ 240VAC	FC/SMA	√	○	○
	WSLS-1430-005m-PM	0 ~ 5mW	PM	9um	90V ~ 240VAC	FC	√	○	○
1450nm	WSLS-1450-005m-9	0 ~ 5mW	SM	9um	90V ~ 240VAC	FC/SMA	√	○	○
	WSLS-1450-005m-9-PM	0 ~ 5mW	PM	9um	90V ~ 240VAC	FC	√	○	○
	WSLS-1450-002-M	0 ~ 2W	MM	105um	90V ~ 240VAC	FC/SMA	√	○	○
	WSLS-1450-007-M	0 ~ 7W	MM	<300um	90V ~ 240VAC	FC/SMA	√	○	○
	WSLS-1450-010-M	0 ~ 10W	MM	<400um	90V ~ 240VAC	FC/SMA	√	○	○
	WSLS-1450-015-M	0 ~ 15W	MM	<400um	90V ~ 240VAC	FC/SMA	√	○	○
1470nm	WSLS-1470-005m-9	0 ~ 5mW	SM	9um	90V ~ 240VAC	FC/SMA	√	○	○
	WSLS-1470-005m-PM	0 ~ 5mW	PM	9um	90V ~ 240VAC	FC	√	○	○
	WSLS-1470-001-M	0 ~ 1W	MM	105um	90V ~ 240VAC	FC/SMA	√	○	○
	WSLS-1470-002-M	0 ~ 2W	MM	105um	90V ~ 240VAC	FC/SMA	√	○	○
	WSLS-1470-007-M	0 ~ 7W	MM	<300um	90V ~ 240VAC	FC/SMA	√	○	○
	WSLS-1470-010-M	0 ~ 10W	MM	<400um	90V ~ 240VAC	FC/SMA	√	○	○
	WSLS-1470-015-M	0 ~ 15W	MM	<400um	90V ~ 240VAC	FC/SMA	√	○	○
1490nm	WSLS-1490-005m-9	0 ~ 5mW	SM	9um	90V ~ 240VAC	FC/SMA	√	○	○
	WSLS-1490-005m-PM	0 ~ 5mW	PM	9um	90V ~ 240VAC	FC	√	○	○
	WSLS-1490-002-M	0 ~ 2W	MM	105um	90V ~ 240VAC	FC/SMA	√	○	○
	WSLS-1490-006-M	0 ~ 6W	MM	<300um	90V ~ 240VAC	FC/SMA	√	○	○
1510nm	WSLS-1510-005m-9	0 ~ 5mW	SM	9um	90V ~ 240VAC	FC/SMA	√	○	○
	WSLS-1510-005m-PM	0 ~ 5mW	PM	9um	90V ~ 240VAC	FC	√	○	○
1530nm	WSLS-1530-005m-9	0 ~ 5mW	SM	9um	90V ~ 240VAC	FC/SMA	√	○	○
	WSLS-1530-005m-PM	0 ~ 5mW	PM	9um	90V ~ 240VAC	FC	√	○	○
	WSLS-1530-002-M	0 ~ 2W	MM	105um	90V ~ 240VAC	FC/SMA	√	○	○
	WSLS-1530-007-M	0 ~ 7W	MM	<300um	90V ~ 240VAC	FC/SMA	√	○	○
	WSLS-1530-010-M	0 ~ 10W	MM	<400um	90V ~ 240VAC	FC/SMA	√	○	○
	WSLS-1530-015-M	0 ~ 15W	MM	<400um	90V ~ 240VAC	FC/SMA	√	○	○
1550nm	WSLS-1550-005m-9	0 ~ 5mW	SM	9um	90V ~ 240VAC	FC/SMA	√	○	○
	WSLS-1550-008m-9	0 ~ 8mW	SM	9um	90V ~ 240VAC	FC/SMA	√	○	○
	WSLS-1550-010m-9	0 ~ 10mW	SM	9um	90V ~ 240VAC	FC/SMA	√	○	○

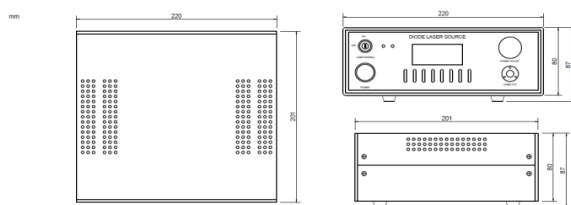
Note: √:Yes, ○:Optional, ×:No.

Wavelength	Part Number	Output Power Range	Fiber Type	Fiber Core	Supply Voltage	Connector	TEC	Analog	TTL
1550nm	WSLS-1550-005m-PM	0 ~ 5mW	PM	9um	90V ~ 240VAC	FC	√	○	○
	WSLS-1550-008m-PM	0 ~ 8mW	PM	9um	90V ~ 240VAC	FC	√	○	○
	WSLS-1550-010m-PM	0 ~ 10mW	PM	9um	90V ~ 240VAC	FC	√	○	○
	WSLS-1550-002-M	0 ~ 2W	MM	105um	90V ~ 240VAC	FC/SMA	√	○	○
	WSLS-1550-007-M	0 ~ 7W	MM	<300um	90V ~ 240VAC	FC/SMA	√	○	○
	WSLS-1550-010-M	0 ~ 10W	MM	<400um	90V ~ 240VAC	FC/SMA	√	○	○
	WSLS-1550-015-M	0 ~ 15W	MM	<400um	90V ~ 240VAC	FC/SMA	√	○	○
1570nm	WSLS-1570-005m-9	0 ~ 5mW	SM	9um	90V ~ 240VAC	FC/SMA	√	○	○
	WSLS-1570-005m-PM	0 ~ 5mW	PM	9um	90V ~ 240VAC	FC	√	○	○
1590nm	WSLS-1590-005m-9	0 ~ 5mW	SM	9um	90V ~ 240VAC	FC/SMA	√	○	○
	WSLS-1590-005m-PM	0 ~ 5mW	PM	9um	90V ~ 240VAC	FC	√	○	○
1610nm	WSLS-1610-005m-9	0 ~ 5mW	SM	9um	90V ~ 240VAC	FC/SMA	√	○	○
	WSLS-1610-005m-PM	0 ~ 5mW	PM	9um	90V ~ 240VAC	FC	√	○	○
1625nm	WSLS-1625-005m-9	0 ~ 5mW	SM	9um	90V ~ 240VAC	FC/SMA	√	○	○
	WSLS-1625-005m-PM	0 ~ 5mW	PM	9um	90V ~ 240VAC	FC	√	○	○
1650nm	WSLS-1650-005m-9	0 ~ 5mW	SM	9um	90V ~ 240VAC	FC/SMA	√	○	○
	WSLS-1650-005m-PM	0 ~ 5mW	PM	9um	90V ~ 240VAC	FC	√	○	○
1720nm	WSLS-1720-001-M	0 ~ 1W	MM	105um	90V ~ 240VAC	FC/SMA	√	○	○
	WSLS-1720-003-M	0 ~ 3W	MM	<300um	90V ~ 240VAC	FC/SMA	√	○	○
1900nm	WSLS-1900-500m-M	0 ~ 500mW	MM	105um	90V ~ 240VAC	FC/SMA	√	○	○
1920nm	WSLS-1920-500m-M	0 ~ 500mW	MM	105um	90V ~ 240VAC	FC/SMA	√	○	○

Note: √:Yes, ○:Optional, ×:No.

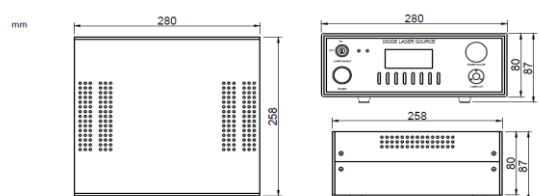
**A100 Package View :**

220mm\*201mm\*87mm



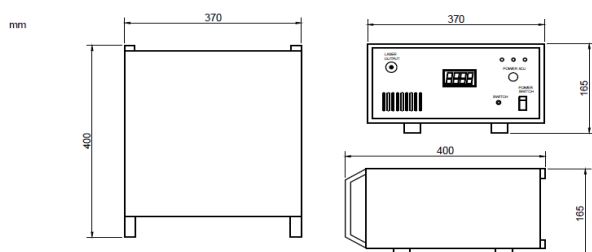
**A200 Package View :**

280mm\*258mm\*87mm



**A300 Package View :**

400mm\*370mm\*165mm



## OEM Fiber Coupled Diode Laser System

### PRODUCT FEATURE

405nm~1920nm  
 OEM Laser System  
 Integrated Package Size  
 SMF/PMF/MMF Optional  
 1mW~12W Output Power  
 Built-in TE Cooling & Driver  
 5V/12V /24V DC Input  
 TTL/Analog Modulation  
 Long Lifetime  
 High Stability  
 Customized Wavelength/Power/Fiber Type



### PRODUCT OVERVIEW

OEM Fiber Coupled Diode Laser System is the most competitive product of WAVESPECTRUM.

We offer 405nm~1920nm Fiber Coupled Laser Source with Single Mode Fiber (SMF), Multimode Fiber (MMF) and Polarization Maintaining Fiber (PMF) . The Output Power is from 1mW to 12W.

The OEM Fiber Coupled Diode Laser System contains the Fiber Coupled Laser Module, LD Driver and Temperature Control System. It is with integrated package design and small size. Just need Input 5V/12V/24V DC can work the Laser Source, it is easy to use. To ensure the long-time reliability and power stability, each Laser System will undergo rigorous testing and aging in factory.



Wavelength	Part Number	Output Power Range	Fiber Type	Fiber Core	Supply Voltage	Connector	TEC	Analog	TTL
405nm	WSLS-405-015m-4-DC	0 ~ 15mW	SM	3um	7.5VDC	FC/SMA	√	○	○
	WSLS-405-030m-4-DC	0 ~ 30mW	SM	3um	7.5VDC	FC/SMA	√	○	○
	WSLS-405-050m-4-DC	0 ~ 50mW	SM	3um	7.5VDC	FC/SMA	√	○	○
	WSLS-405-080m-4-DC	0 ~ 80mW	SM	3um	7.5VDC	FC/SMA	√	○	○
	WSLS-405-100m-4-DC	0 ~ 100mW	SM	3um	7.5VDC	FC/SMA	√	○	○
	WSLS-405-015m-PM-DC	0 ~ 15mW	PM	3um	7.5VDC	FC	√	○	○
	WSLS-405-030m-PM-DC	0 ~ 30mW	PM	3um	7.5VDC	FC	√	○	○
	WSLS-405-050m-PM-DC	0 ~ 50mW	PM	3um	7.5VDC	FC	√	○	○
	WSLS-405-080m-PM-DC	0 ~ 80mW	PM	3um	7.5VDC	FC	√	○	○
	WSLS-405-100m-PM-DC	0 ~ 100mW	PM	3um	7.5VDC	FC	√	○	○
	WSLS-405-200m-M-DC	0 ~ 200mW	MM	105um	7.5VDC	FC/SMA	√	○	○
	WSLS-405-300m-M-DC	0 ~ 300mW	MM	105um	7.5VDC	FC/SMA	√	○	○
	WSLS-405-1200m-M-DC	0 ~ 1.2W	MM	<400um	24VDC	FC/SMA	√	○	○
	WSLS-405-002-M-DC	0 ~ 2W	MM	<400um	24VDC	FC/SMA	√	○	○
	WSLS-405-005-M-DC	0 ~ 5W	MM	<650um	24VDC	FC/SMA	NO	○	○
WSLS-405-010-M-DC	0 ~ 10W	MM	<1000um	24VDC	FC/SMA	NO	○	○	
445nm	WSLS-445-020m-4-DC	0 ~ 20mW	SM	3um	7.5VDC	FC/SMA	√	○	○
	WSLS-445-030m-4-DC	0 ~ 30mW	SM	3um	7.5VDC	FC/SMA	√	○	○
	WSLS-445-040m-4-DC	0 ~ 40mW	SM	3um	7.5VDC	FC/SMA	√	○	○
	WSLS-445-020m-PM-DC	0 ~ 20mW	PM	3um	7.5VDC	FC	√	○	○
	WSLS-445-030m-PM-DC	0 ~ 30mW	PM	3um	7.5VDC	FC	√	○	○
	WSLS-445-050m-M-DC	0 ~ 50mW	MM	50um	7.5VDC	FC/SMA	√	○	○
	WSLS-445-001-M-DC	0 ~ 1W	MM	105um	7.5VDC	FC/SMA	√	○	○
WSLS-445-3500m-M-DC	0 ~ 3.5W	MM	200um	7.5VDC	FC/SMA	√	○	○	
465nm	WSLS-465-002-M-DC	0 ~ 2W	MM	105um	7.5VDC	FC/SMA	√	○	○
488nm	WSLS-488-015m-4-DC	0 ~ 15mW	SM	3um	7.5VDC	FC/SMA	√	○	○
	WSLS-488-020m-4-DC	0 ~ 20mW	SM	3um	7.5VDC	FC/SMA	√	○	○
	WSLS-488-015m-PM-DC	0 ~ 15mW	PM	3um	7.5VDC	FC	√	○	○
	WSLS-488-020m-PM-DC	0 ~ 20mW	PM	3um	7.5VDC	FC	√	○	○
	WSLS-488-040m-M-DC	0 ~ 40mW	MM	105um	7.5VDC	FC/SMA	√	○	○
505nm	WSLS-505-010m-4-DC	0 ~ 10mW	SM	3um	7.5VDC	FC/SMA	√	○	○
	WSLS-505-020m-4-DC	0 ~ 20mW	SM	3um	7.5VDC	FC/SMA	√	○	○
	WSLS-505-010m-PM-DC	0 ~ 10mW	PM	3um	7.5VDC	FC	√	○	○
	WSLS-505-020m-PM-DC	0 ~ 20mW	PM	3um	7.5VDC	FC	√	○	○
	WSLS-505-030m-M-DC	0 ~ 30mW	MM	105um	7.5VDC	FC/SMA	√	○	○
WSLS-505-050m-M-DC	0 ~ 50mW	MM	105um	7.5VDC	FC/SMA	√	○	○	
520nm	WSLS-520-010m-4-DC	0 ~ 10mW	SM	3um	7.5VDC	FC/SMA	√	○	○
	WSLS-520-020m-4-DC	0 ~ 20mW	SM	3um	7.5VDC	FC/SMA	√	○	○
	WSLS-520-025m-4-DC	0 ~ 25mW	SM	3um	7.5VDC	FC/SMA	√	○	○
	WSLS-520-010m-PM-DC	0 ~ 10mW	PM	3um	7.5VDC	FC	√	○	○

Note: √:Yes, ○:Optional, ×:No.

Wavelength	Part Number	Output Power Range	Fiber Type	Fiber Core	Supply Voltage	Connector	TEC	Analog	TTL
520nm	WSLS-520-020m-PM-DC	0 ~ 20mW	PM	3um	7.5VDC	FC	√	○	○
	WSLS-520-025m-PM-DC	0 ~ 25mW	PM	3um	7.5VDC	FC	√	○	○
	WSLS-520-050m-M-DC	0 ~ 50mW	MM	105um	7.5VDC	FC/SMA	√	○	○
	WSLS-520-700m-M-DC	0 ~ 700mW	MM	105um	7.5VDC	FC/SMA	√	○	○
525nm	WSLS-525-700m-M-DC	0 ~ 700mW	MM	105um	7.5VDC	FC/SMA	√	○	○
635nm	WSLS-635-030m-4-DC	0 ~ 30mW	SM	4um	5VDC	FC/SMA	√	○	○
	WSLS-635-050m-4-DC	0 ~ 50mW	SM	4um	5VDC	FC/SMA	√	○	○
	WSLS-635-070m-4-DC	0 ~ 70mW	SM	4um	5VDC	FC/SMA	√	○	○
	WSLS-635-030m-PM-DC	0 ~ 30mW	PM	4um	5VDC	FC	√	○	○
	WSLS-635-050m-PM-DC	0 ~ 50mW	PM	4um	5VDC	FC	√	○	○
	WSLS-635-070m-PM-DC	0 ~ 70mW	PM	4um	5VDC	FC	√	○	○
	WSLS-635-100m-M-DC	0 ~ 100mW	MM	105um	5VDC	FC/SMA	√	○	○
	WSLS-635-300m-M-DC	0 ~ 300mW	MM	105um	5VDC	FC/SMA	√	○	○
	WSLS-635-001-M-DC	0 ~ 1W	MM	105um	5VDC	FC/SMA	√	○	○
	WSLS-635-1800m-M-DC	0 ~ 1.8W	MM	200um	5VDC	FC/SMA	√	○	○
658nm	WSLS-650-050m-4-DC	0 ~ 50mW	SM	4um	5VDC	FC/SMA	√	○	○
	WSLS-650-080m-4-DC	0 ~ 80mW	SM	4um	5VDC	FC/SMA	√	○	○
	WSLS-650-100m-4-DC	0 ~ 100mW	SM	4um	5VDC	FC/SMA	√	○	○
	WSLS-650-030m-PM-DC	0 ~ 30mW	PM	4um	5VDC	FC	√	○	○
	WSLS-650-050m-PM-DC	0 ~ 50mW	PM	4um	5VDC	FC	√	○	○
	WSLS-650-080m-PM-DC	0 ~ 80mW	PM	4um	5VDC	FC	√	○	○
	WSLS-650-100m-M-DC	0 ~ 100mW	MM	105um	5VDC	FC/SMA	√	○	○
	WSLS-650-700m-M-DC	0 ~ 700mW	MM	105um	5VDC	FC/SMA	√	○	○
670nm	WSLS-670-003m-4-DC	0 ~ 3mW	SM	3um	5VDC	FC/SMA	√	○	○
	WSLS-670-005m-4-DC	0 ~ 5mW	SM	3um	5VDC	FC/SMA	√	○	○
	WSLS-670-003m-PM-DC	0 ~ 3mW	PM	3um	5VDC	FC	√	○	○
	WSLS-670-005m-PM-DC	0 ~ 5mW	PM	3um	5VDC	FC	√	○	○
680nm	WSLS-680-700m-M-DC	0 ~ 700mW	MM	105um	5VDC	FC/SMA	√	○	○
685nm	WSLS-685-010m-4-DC	0 ~ 10mW	SM	4um	5VDC	FC/SMA	√	○	○
	WSLS-685-015m-4-DC	0 ~ 15mW	SM	4um	5VDC	FC/SMA	√	○	○
	WSLS-685-010m-PM-DC	0 ~ 10mW	PM	4um	5VDC	FC	√	○	○
	WSLS-685-015m-PM-DC	0 ~ 15mW	PM	4um	5VDC	FC	√	○	○
	WSLS-685-030m-M-DC	0 ~ 30mW	MM	105um	5VDC	FC/SMA	√	○	○
760nm	WSLS-760-1500m-M-DC	0 ~ 1.5W	MM	105um	5VDC	FC/SMA	√	○	○
785nm	WSLS-785-030m-4-DC	0 ~ 30mW	SM	5um	5VDC	FC/SMA	√	○	○
	WSLS-785-040m-4-DC	0 ~ 40mW	SM	5um	5VDC	FC/SMA	√	○	○
	WSLS-785-030m-PM-DC	0 ~ 30mW	PM	5um	5VDC	FC	√	○	○
	WSLS-785-040m-PM-DC	0 ~ 40mW	PM	5um	5VDC	FC	√	○	○
	WSLS-785-003-M-DC	0 ~ 3W	MM	105um	5VDC	FC/SMA	√	○	○
808nm	WSLS-808-030m-4-DC	0 ~ 30mW	SM	5um	5VDC	FC/SMA	√	○	○

Note: √:Yes, ○:Optional, ×:No.



Wavelength	Part Number	Output Power Range	Fiber Type	Fiber Core	Supply Voltage	Connector	TEC	Analog	TTL
808nm	WSLS-808-050m-4-DC	0 ~ 50mW	SM	5um	5VDC	FC/SMA	√	○	○
	WSLS-808-020m-PM-DC	0 ~ 20mW	PM	5um	5VDC	FC	√	○	○
	WSLS-808-040m-PM-DC	0 ~ 40mW	PM	5um	5VDC	FC	√	○	○
	WSLS-808-150m-M-DC	0 ~ 150mW	MM	105um	5VDC	FC/SMA	√	○	○
	WSLS-808-002-M-DC	0 ~ 2W	MM	105um	5VDC	FC/SMA	√	○	○
	WSLS-808-003-M-DC	0 ~ 3W	MM	105um	5VDC	FC/SMA	√	○	○
	WSLS-808-004-M-DC	0 ~ 4W	MM	105um	12VDC	FC/SMA	√	○	○
	WSLS-808-005-M-DC	0 ~ 5W	MM	105um	12VDC	FC/SMA	√	○	○
WSLS-808-007-M-DC	0 ~ 7W	MM	105um	12VDC	FC/SMA	√	○	○	
830nm	WSLS-830-030m-4-DC	0 ~ 30mW	SM	5um	5VDC	FC/SMA	√	○	○
	WSLS-830-050m-4-DC	0 ~ 50mW	SM	5um	5VDC	FC/SMA	√	○	○
	WSLS-830-080m-4-DC	0 ~ 80mW	SM	5um	5VDC	FC/SMA	√	○	○
	WSLS-830-100m-4-DC	0 ~ 100mW	SM	5um	5VDC	FC/SMA	√	○	○
	WSLS-830-030m-PM-DC	0 ~ 30mW	PM	5um	5VDC	FC	√	○	○
	WSLS-830-050m-PM-DC	0 ~ 50mW	PM	5um	5VDC	FC	√	○	○
	WSLS-830-080m-PM-DC	0 ~ 80mW	PM	5um	5VDC	FC	√	○	○
	WSLS-830-100m-PM-DC	0 ~ 100mW	PM	5um	5VDC	FC	√	○	○
	WSLS-830-120m-M-DC	0 ~ 120mW	MM	105um	5VDC	FC/SMA	√	○	○
	WSLS-830-001-M-DC	0 ~ 1W	MM	50um	5VDC	FC/SMA	√	○	○
	WSLS-830-002-M-DC	0 ~ 2W	MM	105um	5VDC	FC/SMA	√	○	○
	WSLS-830-003-M-DC	0 ~ 3W	MM	105um	5VDC	FC/SMA	√	○	○
850nm	WSLS-850-030m-4-DC	0 ~ 30mW	SM	5um	5VDC	FC/SMA	√	○	○
	WSLS-850-050m-4-DC	0 ~ 50mW	SM	5um	5VDC	FC/SMA	√	○	○
	WSLS-850-070m-4-DC	0 ~ 70mW	SM	5um	5VDC	FC/SMA	√	○	○
	WSLS-850-030m-PM-DC	0 ~ 30mW	PM	5um	5VDC	FC	√	○	○
	WSLS-850-050m-PM-DC	0 ~ 50mW	PM	5um	5VDC	FC	√	○	○
	WSLS-850-070m-PM-DC	0 ~ 70mW	PM	5um	5VDC	FC	√	○	○
	WSLS-850-120m-M-DC	0 ~ 120mW	MM	105um	5VDC	FC/SMA	√	○	○
860nm	WSLS-860-002-M-DC	0 ~ 2W	MM	105um	5VDC	FC/SMA	√	○	○
880nm	WSLS-880-002m-4-DC	0 ~ 2mW	SM	5um	5VDC	FC/SMA	√	○	○
	WSLS-880-002m-PM-DC	0 ~ 2mW	PM	5um	5VDC	FC	√	○	○
	WSLS-880-002-M-DC	0 ~ 2W	MM	105um	5VDC	FC/SMA	√	○	○
	WSLS-880-003-M-DC	0 ~ 3W	MM	105um	5VDC	FC/SMA	√	○	○
905nm	WSLS-905-020m-4-DC	0 ~ 20mW	SM	5um	5VDC	FC/SMA	√	○	○
	WSLS-905-030m-4-DC	0 ~ 30mW	SM	5um	5VDC	FC/SMA	√	○	○
	WSLS-905-020m-PM-DC	0 ~ 20mW	PM	5um	5VDC	FC	√	○	○
	WSLS-905-030m-PM-DC	0 ~ 30mW	PM	5um	5VDC	FC	√	○	○
	WSLS-905-050m-M-DC	0 ~ 50mW	MM	105um	5VDC	FC/SMA	√	○	○
915nm	WSLS-915-002-M-DC	0 ~ 2W	MM	105um	5VDC	FC/SMA	√	○	○
	WSLS-915-010-M-DC	0 ~ 10W	MM	105um	12VDC	FC/SMA	√	○	○

Note: √:Yes, ○:Optional, ×:No.

Wavelength	Part Number	Output Power Range	Fiber Type	Fiber Core	Supply Voltage	Connector	TEC	Analog	TTL
915nm	WSLS-915-012-M-DC	0 ~ 12W	MM	105um	12VDC	FC/SMA	√	○	○
940nm	WSLS-940-030m-4-DC	0 ~ 30mW	SM	5um	5VDC	FC/SMA	√	○	○
	WSLS-940-050m-4-DC	0 ~ 50mW	SM	5um	5VDC	FC/SMA	√	○	○
	WSLS-940-070m-4-DC	0 ~ 70mW	SM	5um	5VDC	FC/SMA	√	○	○
	WSLS-940-030m-PM-DC	0 ~ 30mW	PM	5um	5VDC	FC	√	○	○
	WSLS-940-050m-PM-DC	0 ~ 50mW	PM	5um	5VDC	FC	√	○	○
	WSLS-940-070m-PM-DC	0 ~ 70mW	PM	5um	5VDC	FC	√	○	○
	WSLS-940-100m-M-DC	0 ~ 100mW	MM	105um	5VDC	FC/SMA	√	○	○
	WSLS-940-002-M-DC	0 ~ 2W	MM	105um	5VDC	FC/SMA	√	○	○
	WSLS-940-010-M-DC	0 ~ 10W	MM	105um	12VDC	FC/SMA	√	○	○
	WSLS-940-012-M-DC	0 ~ 12W	MM	105um	12VDC	FC/SMA	√	○	○
980nm	WSLS-980-010m-4-DC	0 ~ 10mW	SM	6um	5VDC	FC/SMA	√	○	○
	WSLS-980-020m-4-DC	0 ~ 20mW	SM	6um	5VDC	FC/SMA	√	○	○
	WSLS-980-100m-M-DC	0 ~ 100mW	MM	105um	5VDC	FC/SMA	√	○	○
	WSLS-980-002-M-DC	0 ~ 2W	MM	105um	5VDC	FC/SMA	√	○	○
	WSLS-980-010-M-DC	0 ~ 10W	MM	105um	12VDC	FC/SMA	√	○	○
	WSLS-980-012-M-DC	0 ~ 12W	MM	105um	12VDC	FC/SMA	√	○	○
1064nm	WSLS-1064-010m-4-DC	0 ~ 10mW	SM	6um	5VDC	FC/SMA	√	○	○
	WSLS-1064-030m-4-DC	0 ~ 30mW	SM	6um	5VDC	FC/SMA	√	○	○
	WSLS-1064-050m-4-DC	0 ~ 50mW	SM	6um	5VDC	FC/SMA	√	○	○
	WSLS-1064-010m-PM-DC	0 ~ 10mW	PM	5um	5VDC	FC	√	○	○
	WSLS-1064-030m-PM-DC	0 ~ 30mW	PM	5um	5VDC	FC	√	○	○
	WSLS-1064-050m-PM-DC	0 ~ 50mW	PM	5um	5VDC	FC	√	○	○
	WSLS-1064-001-M-DC	0 ~ 1W	MM	105um	5VDC	FC/SMA	√	○	○
	WSLS-1064-007-M-DC	0 ~ 7W	MM	105um	12VDC	FC/SMA	√	○	○
1210nm	WSLS-1210-001-M-DC	0 ~ 1W	MM	105um	5VDC	FC/SMA	√	○	○
1270nm	WSLS-1270-005m-9-DC	0 ~ 5mW	SM	9um	5VDC	FC/SMA	√	○	○
	WSLS-1270-005m-PM-DC	0 ~ 5mW	PM	9um	5VDC	FC	√	○	○
1280nm	WSLS-1280-001-M-DC	0 ~ 1W	MM	105um	5VDC	FC/SMA	√	○	○
1290nm	WSLS-1290-005m-9-DC	0 ~ 5mW	SM	9um	5VDC	FC/SMA	√	○	○
	WSLS-1290-005m-PM-DC	0 ~ 5mW	PM	9um	5VDC	FC	√	○	○
1310nm	WSLS-1310-005m-9-DC	0 ~ 5mW	SM	9um	5VDC	FC/SMA	√	○	○
	WSLS-1310-010m-9-DC	0 ~ 10mW	SM	9um	5VDC	FC/SMA	√	○	○
	WSLS-1310-015m-9-DC	0 ~ 15mW	SM	9um	5VDC	FC/SMA	√	○	○
	WSLS-1310-005m-PM-DC	0 ~ 5mW	PM	9um	5VDC	FC	√	○	○
	WSLS-1310-010m-PM-DC	0 ~ 10mW	PM	9um	5VDC	FC	√	○	○
	WSLS-1310-015m-PM-DC	0 ~ 15mW	PM	9um	5VDC	FC	√	○	○
	WSLS-1310-001-M-DC	0 ~ 1W	MM	105um	5VDC	FC/SMA	√	○	○
1330nm	WSLS-1330-005m-9-DC	0 ~ 5mW	SM	9um	5VDC	FC/SMA	√	○	○
	WSLS-1330-005m-PM-DC	0 ~ 5mW	PM	9um	5VDC	FC	√	○	○

Note: √:Yes, ○:Optional, ×:No.

Wavelength	Part Number	Output Power Range	Fiber Type	Fiber Core	Supply Voltage	Connector	TEC	Analog	TTL
1330nm	WSLS-1330-001-M-DC	0 ~ 1W	MM	105um	5VDC	FC/SMA	√	○	○
1350nm	WSLS-1350-005m-9-DC	0 ~ 5mW	SM	9um	5VDC	FC/SMA	√	○	○
	WSLS-1350-005m-PM-DC	0 ~ 5mW	PM	9um	5VDC	FC	√	○	○
1370nm	WSLS-1370-005m-9-DC	0 ~ 5mW	SM	9um	5VDC	FC/SMA	√	○	○
	WSLS-1370-005m-PM-DC	0 ~ 5mW	PM	9um	5VDC	FC	√	○	○
1390nm	WSLS-1390-005m-9-DC	0 ~ 5mW	SM	9um	5VDC	FC/SMA	√	○	○
	WSLS-1390-005m-PM-DC	0 ~ 5mW	PM	9um	5VDC	FC	√	○	○
1410nm	WSLS-1410-005m-9-DC	0 ~ 5mW	SM	9um	5VDC	FC/SMA	√	○	○
	WSLS-1410-005m-PM-DC	0 ~ 5mW	PM	9um	5VDC	FC	√	○	○
1430nm	WSLS-1430-005m-9-DC	0 ~ 5mW	SM	9um	5VDC	FC/SMA	√	○	○
	WSLS-1430-005m-PM-DC	0 ~ 5mW	PM	9um	5VDC	FC	√	○	○
1450nm	WSLS-1450-005m-9-DC	0 ~ 5mW	SM	9um	5VDC	FC/SMA	√	○	○
	WSLS-1450-005m-PM-DC	0 ~ 5mW	PM	9um	5VDC	FC	√	○	○
	WSLS-1450-002-M-DC	0 ~ 2W	MM	105um	12VDC	FC/SMA	√	○	○
1470nm	WSLS-1470-005m-9-DC	0 ~ 5mW	SM	9um	5VDC	FC/SMA	√	○	○
	WSLS-1470-005m-PM-DC	0 ~ 5mW	PM	9um	5VDC	FC	√	○	○
	WSLS-1470-001-M-DC	0 ~ 1W	MM	105um	5VDC	FC/SMA	√	○	○
	WSLS-1470-002-M-DC	0 ~ 2W	MM	105um	12VDC	FC/SMA	√	○	○
1490nm	WSLS-1490-005m-9-DC	0 ~ 5mW	SM	9um	5VDC	FC/SMA	√	○	○
	WSLS-1490-005m-PM-DC	0 ~ 5mW	PM	9um	5VDC	FC	√	○	○
	WSLS-1490-002-M-DC	0 ~ 2W	MM	105um	12VDC	FC/SMA	√	○	○
1510nm	WSLS-1510-005m-9-DC	0 ~ 5mW	SM	9um	5VDC	FC/SMA	√	○	○
	WSLS-1510-005m-PM-DC	0 ~ 5mW	PM	9um	5VDC	FC	√	○	○
1530nm	WSLS-1530-005m-9-DC	0 ~ 5mW	SM	9um	5VDC	FC/SMA	√	○	○
	WSLS-1530-005m-PM-DC	0 ~ 5mW	PM	9um	5VDC	FC	√	○	○
	WSLS-1530-002-M-DC	0 ~ 2W	MM	105um	12VDC	FC/SMA	√	○	○
1550nm	WSLS-1550-005m-9-DC	0 ~ 5mW	SM	9um	5VDC	FC/SMA	√	○	○
	WSLS-1550-008m-9-DC	0 ~ 8mW	SM	9um	5VDC	FC/SMA	√	○	○
	WSLS-1550-010m-9-DC	0 ~ 10mW	SM	9um	5VDC	FC/SMA	√	○	○
	WSLS-1550-005m-PM-DC	0 ~ 5mW	PM	9um	5VDC	FC	√	○	○
	WSLS-1550-008m-PM-DC	0 ~ 8mW	PM	9um	5VDC	FC	√	○	○
	WSLS-1550-010m-PM-DC	0 ~ 10mW	PM	9um	5VDC	FC	√	○	○
	WSLS-1550-002-M-DC	0 ~ 2W	MM	105um	12VDC	FC/SMA	√	○	○
1570nm	WSLS-1570-005m-9-DC	0 ~ 5mW	SM	9um	5VDC	FC/SMA	√	○	○
	WSLS-1570-005m-PM-DC	0 ~ 5mW	PM	9um	5VDC	FC	√	○	○
1590nm	WSLS-1590-005m-9-DC	0 ~ 5mW	SM	9um	5VDC	FC/SMA	√	○	○
	WSLS-1590-005m-PM-DC	0 ~ 5mW	PM	9um	5VDC	FC	√	○	○
1610nm	WSLS-1610-005m-9-DC	0 ~ 5mW	SM	9um	5VDC	FC/SMA	√	○	○
	WSLS-1610-005m-PM-DC	0 ~ 5mW	PM	9um	5VDC	FC	√	○	○
1625nm	WSLS-1625-005m-9-DC	0 ~ 5mW	SM	9um	5VDC	FC/SMA	√	○	○

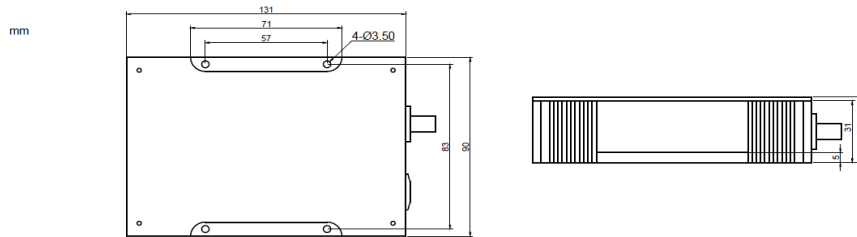
Note: √:Yes, ○:Optional, ×:No.

Wavelength	Part Number	Output Power Range	Fiber Type	Fiber Core	Supply Voltage	Connector	TEC	Analog	TTL
1625nm	WSLS-1625-005m-PM-DC	0 ~ 5mW	PM	9um	5VDC	FC	√	○	○
1650nm	WSLS-1650-005m-9-DC	0 ~ 5mW	SM	9um	5VDC	FC/SMA	√	○	○
	WSLS-1650-005m-PM-DC	0 ~ 5mW	PM	9um	5VDC	FC	√	○	○
1720nm	WSLS-1720-001-M-DC	0 ~ 1W	MM	105um	12VDC	FC/SMA	√	○	○
1900nm	WSLS-1900-500m-M-DC	0 ~ 500mW	MM	105um	12VDC	FC/SMA	√	○	○
1920nm	WSLS-1920-500m-M-DC	0 ~ 500mW	MM	105um	12VDC	FC/SMA	√	○	○

Note: √:Yes, ○:Optional, ×:No.

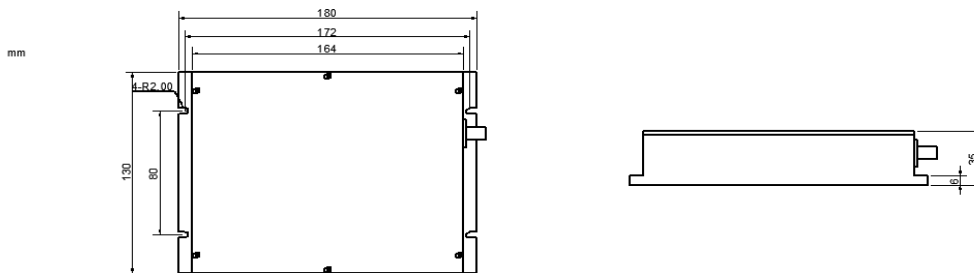
**D100 Package View :**

131mm\*90mm\*33mm



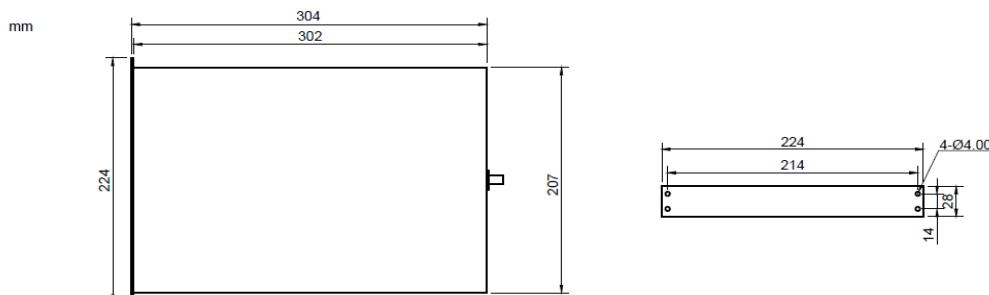
**D200 Package View :**

180mm\*130mm\*35mm



**D300 Package View :**

304mm\*224mm\*207mm



## Fiber Receptacle Laser Module

### PRODUCT FEATURE

405nm~1650nm Optional  
 5mW~200mW Output Power  
 Suit for 9um/50um/ 105um/200um Fiber Core  
 SC/FC/SMA905 Receptacle Connector Optional  
 Coaxial Package  
 Long Lifetime  
 High Stability  
 Customized Wavelength/Power/Fiber Core



### PRODUCT OVERVIEW

Fiber Receptacle Laser Module is the competitive product of WAVESPECTRUM.

We offer 405nm~1650nm Fiber Receptacle Laser Module, Which is suit for 9um,50um,105um,200um,400um fiber core, the output power ranges from 5mW to 200mW. Meanwhile, the Receptacle Connector can be SC, FC or SMA905. WAVESPECTRUM also offer the Customized Solution for Fiber Receptacle Laser Modules, such as Customized Wavelength, Customized Power and Customized Fiber Core to meet the special needs of customers.

WAVESPECTRUM use laser welding technology to guarantee the long-term reliability of the laser structure. To ensure the long-term reliability, each laser diode will undergo rigorous testing and aging in the factory. Meanwhile the high-low storage temperature circulation is also necessary for each laser diode. We set the storage temperature range from -40°C to +85°C, and it lasts 10 cycles, which will ensure the long-term reliability of the coupling structure.



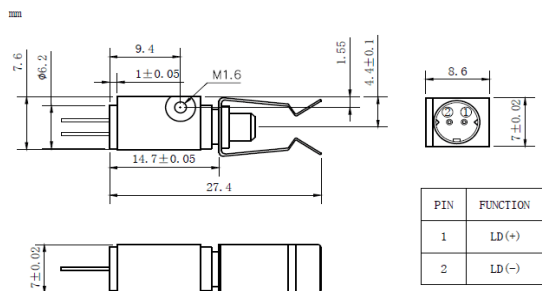
Wavelength	Part Number	Output Power	Receptacle Connector	Fiber Core	Laser Type	PD	Package
405nm	WSLR-405-200m-M	200mW	FC/SC	50um/105um	FP	×	Coaxial
	WSLR-405-300m-M	300mW	FC/SC	50um/105um	FP	×	Coaxial
	WSLR-405-350m-M	350mW	FC/SC	50um/105um	FP	×	Coaxial
445nm	WSLR-445-050m-M	50mW	FC	50um/105um	FP	×	Coaxial
	WSLR-445-001-M	1W	FC/SC	105um	FP	×	Coaxial
488nm	WSLR-488-030m-M	30mW	FC	50um/105um	FP	×	Coaxial
505nm	WSLR-505-050m-M	50mW	FC	50um/105um	FP	×	Coaxial
520nm	WSLR-520-050m-M	50mW	FC	50um/105um	FP	×	Coaxial
	WSLR-520-050m-M-PD	50mW	FC	50um/105um	FP	√	Coaxial
635nm	WSLR-635-005m-M-PD	5mW	FC	50um/105um	FP	√	Coaxial
	WSLR-635-030m-M-PD	30mW	FC	50um/105um	FP	√	Coaxial
	WSLR-635-100m-M	100mW	FC	50um/105um	FP	×	Coaxial
	WSLR-635-250m-M	250mW	FC	105um	FP	×	Coaxial
658nm	WSLR-650-030m-M-PD	30mW	FC	50um/105um	FP	√	Coaxial
	WSLR-650-100m-M	100mW	FC	50um/105um	FP	×	Coaxial
	WSLR-650-120m-M	120mW	FC	50um/105um	FP	×	Coaxial
670nm	WSLR-670-005m-M-PD	5mW	FC	50um/105um	FP	√	Coaxial
685nm	WSLR-685-030m-M-PD	30mW	FC	50um/105um	FP	√	Coaxial
785nm	WSLR-785-050m-M-PD	50mW	FC	50um/105um	FP	√	Coaxial
808nm	WSLR-808-150m-M-PD	150mW	FC	105um	FP	√	Coaxial
	WSLR-808-200m-M-PD	200mW	FC	105um	FP	√	Coaxial
830nm	WSLR-830-100m-M-PD	100mW	FC	50um/105um	FP	√	Coaxial
	WSLR-830-150m-M-PD	150mW	FC	50um/105um	FP	√	Coaxial
850nm	WSLR-850-100m-M-PD	100mW	FC	50um/105um	FP	√	Coaxial
880nm	WSLR-880-005m-M-PD	5mW	FC	50um/105um	FP	√	Coaxial
905nm	WSLR-905-050m-M-PD	50mW	FC	50um/105um	FP	√	Coaxial
940nm	WSLR-940-100m-M-PD	100mW	FC	105um	FP	√	Coaxial
980nm	WSLR-980-100m-M-PD	100mW	FC	105um	FP	√	Coaxial
1064nm	WSLR-1064-030m-M-PD	30mW	FC	50um/105um	FP	√	Coaxial
1270nm	WSLR-1270-002m-9-DFB-PD	2mW	FC/SC	9um	DFB	√	Coaxial
	WSLR-1270-005m-9-DFB-PD	5mW	FC/SC	9um	DFB	√	Coaxial
1290nm	WSLR-1290-002m-9-DFB-PD	2mW	FC/SC	9um	DFB	√	Coaxial
	WSLR-1290-005m-9-DFB-PD	5mW	FC/SC	9um	DFB	√	Coaxial
1310nm	WSLR-1310-001m-9-FP-PD	1mW	FC/SC	9um	FP	√	Coaxial
	WSLR-1310-002m-9-DFB-PD	2mW	FC/SC	9um	DFB	√	Coaxial
	WSLR-1310-005m-9-DFB-PD	5mW	FC/SC	9um	DFB	√	Coaxial
1330nm	WSLR-1330-002m-9-DFB-PD	2mW	FC/SC	9um	DFB	√	Coaxial
	WSLR-1330-005m-9-DFB-PD	5mW	FC/SC	9um	DFB	√	Coaxial
1350nm	WSLR-1350-002m-9-DFB-PD	2mW	FC/SC	9um	DFB	√	Coaxial
	WSLR-1350-005m-9-DFB-PD	5mW	FC/SC	9um	DFB	√	Coaxial

Note: √:Yes, ○:Optional, ×:No.

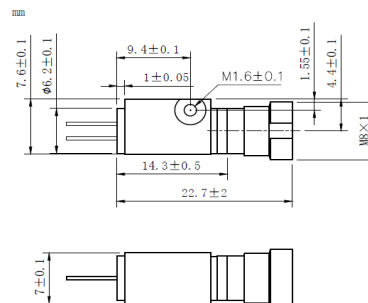
Wavelength	Part Number	Output Power	Receptacle Connector	Fiber Core	Laser Type	PD	Package
1370nm	WSLR-1370-002m-9-DFB-PD	2mW	FC/SC	9um	DFB	√	Coaxial
	WSLR-1370-005m-9-DFB-PD	5mW	FC/SC	9um	DFB	√	Coaxial
1390nm	WSLR-1390-002m-9-DFB-PD	2mW	FC/SC	9um	DFB	√	Coaxial
	WSLR-1390-005m-9-DFB-PD	5mW	FC/SC	9um	DFB	√	Coaxial
1410nm	WSLR-1410-002m-9-DFB-PD	2mW	FC/SC	9um	DFB	√	Coaxial
	WSLR-1410-005m-9-DFB-PD	5mW	FC/SC	9um	DFB	√	Coaxial
1430nm	WSLR-1430-002m-9-DFB-PD	2mW	FC/SC	9um	DFB	√	Coaxial
	WSLR-1430-005m-9-DFB-PD	5mW	FC/SC	9um	DFB	√	Coaxial
1450nm	WSLR-1450-002m-9-DFB-PD	2mW	FC/SC	9um	DFB	√	Coaxial
	WSLR-1450-005m-9-DFB-PD	5mW	FC/SC	9um	DFB	√	Coaxial
1470nm	WSLR-1470-002m-9-DFB-PD	2mW	FC/SC	9um	DFB	√	Coaxial
	WSLR-1470-005m-9-DFB-PD	5mW	FC/SC	9um	DFB	√	Coaxial
1490nm	WSLR-1490-002m-9-DFB-PD	2mW	FC/SC	9um	DFB	√	Coaxial
	WSLR-1490-005m-9-DFB-PD	5mW	FC/SC	9um	DFB	√	Coaxial
1510nm	WSLR-1510-002m-9-DFB-PD	2mW	FC/SC	9um	DFB	√	Coaxial
	WSLR-1510-005m-9-DFB-PD	5mW	FC/SC	9um	DFB	√	Coaxial
1530nm	WSLR-1530-002m-9-DFB-PD	2mW	FC/SC	9um	DFB	√	Coaxial
	WSLR-1530-005m-9-DFB-PD	5mW	FC/SC	9um	DFB	√	Coaxial
1550nm	WSLR-1550-001m-9-FP-PD	1mW	FC/SC	9um	FP	√	Coaxial
	WSLR-1550-002m-9-DFB-PD	2mW	FC/SC	9um	DFB	√	Coaxial
	WSLR-1550-005m-9-DFB-PD	5mW	FC/SC	9um	DFB	√	Coaxial
1570nm	WSLR-1570-002m-9-DFB-PD	2mW	FC/SC	9um	DFB	√	Coaxial
	WSLR-1570-005m-9-DFB-PD	5mW	FC/SC	9um	DFB	√	Coaxial
1590nm	WSLR-1590-002m-9-DFB-PD	2mW	FC/SC	9um	DFB	√	Coaxial
	WSLR-1590-005m-9-DFB-PD	5mW	FC/SC	9um	DFB	√	Coaxial
1610nm	WSLR-1610-002m-9-DFB-PD	2mW	FC/SC	9um	DFB	√	Coaxial
	WSLR-1610-005m-9-DFB-PD	5mW	FC/SC	9um	DFB	√	Coaxial
1625nm	WSLR-1625-002m-9-DFB-PD	2mW	FC/SC	9um	DFB	√	Coaxial
	WSLR-1625-005m-9-DFB-PD	5mW	FC/SC	9um	DFB	√	Coaxial
1650nm	WSLR-1650-002m-9-DFB-PD	2mW	FC/SC	9um	DFB	√	Coaxial
	WSLR-1650-005m-9-DFB-PD	5mW	FC/SC	9um	DFB	√	Coaxial

Note: √:Yes, ○:Optional, ×:No.

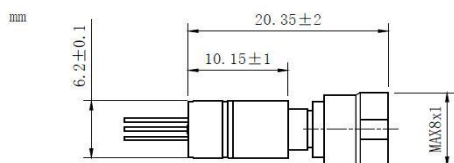
**405nm SC Package View :**



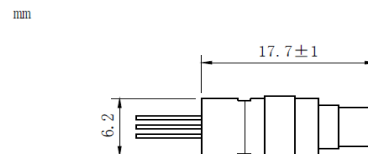
**405nm FC Package View :**



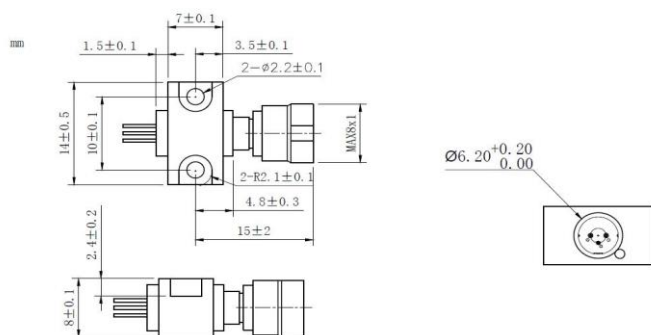
**Coaxial FC Package View :**



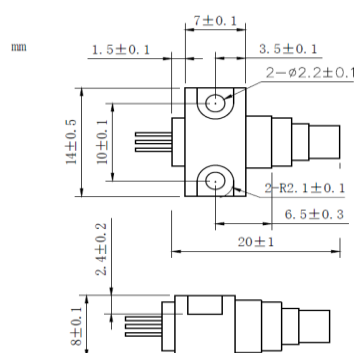
**Coaxial TOSA Package View :**



**B8 FC Package View :**



**B8 TOSA Package View :**





## 405nm High Power Fiber Coupled Laser Source

### PRODUCT FEATURE

405nm Laser Source  
 Up to 10W Output Power  
 Multimode Fiber  
 Built-in Driver  
 AC/DC Input  
 TE Cooling /Water Cooling Optional  
 TTL/Analog Modulation  
 Long Lifetime  
 High Stability



### PRODUCT OVERVIEW

405nm High Power Fiber Coupled Laser Source is the most competitive product of WAVESPECTRUM.

It contains LD Driver and Temperature Control System. The output power upto 10W. Just need Input 90V~240V AC or 24V DC can work the Laser Source, it is easy to use. To ensure the long-time reliability and power stability, each Laser System will undergo rigorous testing and aging in factory.

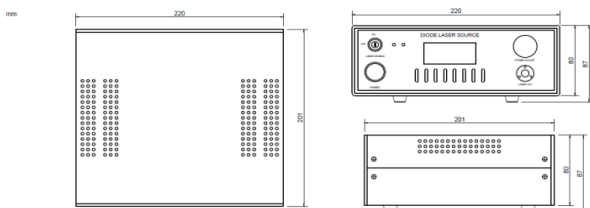


Wavelength	Part Number	Output Power	Fiber Core	Connector	Power Supply	Cooling	TTL	Analog
405nm	WSLS-405-200m-M-DC	200mW	50um/105um	FC	7.5VDC	TEC	○	○
	WSLS-405-200m-M	200mW	50um/105um	FC	90V~240VAC	TEC	○	○
	WSLS-405-350m-M-DC	350mW	50um/105um	FC	7.5VDC	TEC	○	○
	WSLS-405-350m-M	350mW	50um/105um	FC	90V~240VAC	TEC	○	○
	WSLS-405-1200m-M-DC	1.2W	<400um	FC	24VDC	TEC	○	○
	WSLS-405-1200m-M	1.2W	<400um	FC	90V~240VAC	TEC	○	○
	WSLS-405-002-M-DC	2W	<400um	FC	24VDC	TEC	○	○
	WSLS-405-002-M	2W	<400um	FC	90V~240VAC	TEC	○	○
	WSLS-405-005-M-DC	5W	<650um	FC	24VDC	Water	○	○
	WSLS-405-005-M	5W	<650um	FC	90V~240VAC	TEC	○	○
	WSLS-405-010-M-DC	10W	<800um	FC	24VDC	Water	○	○

Note: √:Yes, ○:Optional, ×:No.

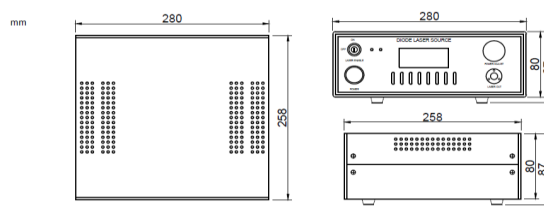
**A100 Package View :**

220mm\*201mm\*87mm



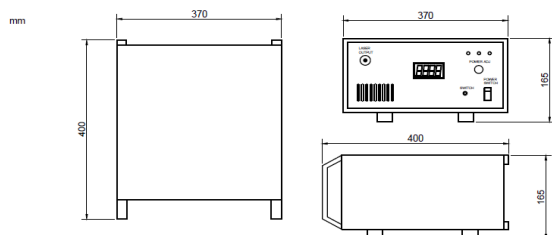
**A200 Package View :**

280mm\*258mm\*87mm



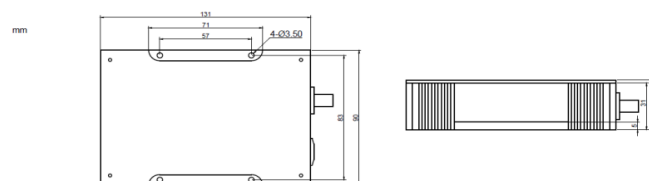
**A300 Package View :**

400mm\*370mm\*165mm



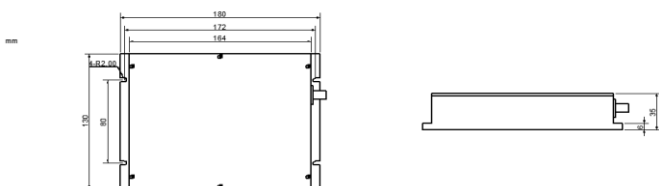
**D100 Package View :**

131mm\*90mm\*33mm



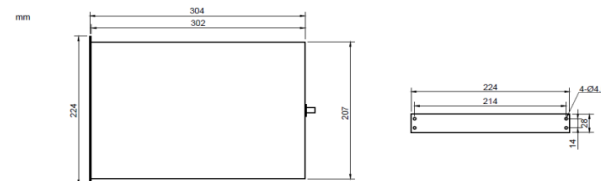
**D200 Package View :**

180mm\*130mm\*35mm



**D300 Package View :**

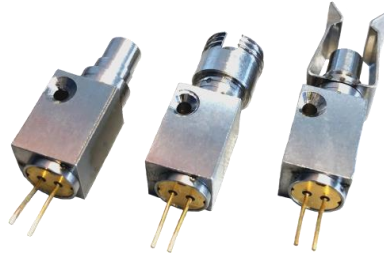
304mm\*224mm\*207mm



## 405nm Fiber Receptacle Laser Module

### PRODUCT FEATURE

405nm  
 Up to 350mW Output Power  
 Suit for 25um/50um Fiber Core  
 SC/FC/SMA905 Receptacle Connector  
 Coaxial Package  
 Design for CTP Application  
 Long Lifetime  
 High Stability



### PRODUCT OVERVIEW

405nm Receptacle Laser Module is the competitive product of WAVESPECTRUM.

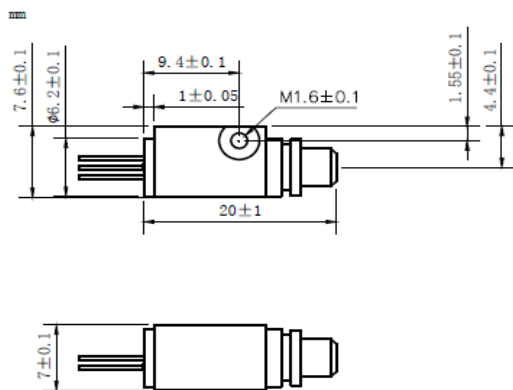
We offer 405nm Fiber Receptacle Laser Module, Which is suit for 25um , 50um fiber core, the output power upto 350mW. Meanwhile, the Receptacle Connector can be SC, FC or SMA905. It mainly used for CTP and medical application. WAVESPECTRUM also offer the Customized Solution for 405nm Fiber Receptacle Laser Modules, such as Customized Power and Customized Fiber Core to meet the special needs of customers.

WAVESPECTRUM use laser welding technology to guarantee the long-term reliability of the laser structure. To ensure the long-term reliability, each laser diode will undergo rigorous testing and aging in the factory. Meanwhile the high-low storage temperature circulation is also necessary for each laser diode. We set the storage temperature range from -40°C to +85°C, and it lasts 10 cycles, which will ensure the long-term reliability of the coupling structure.

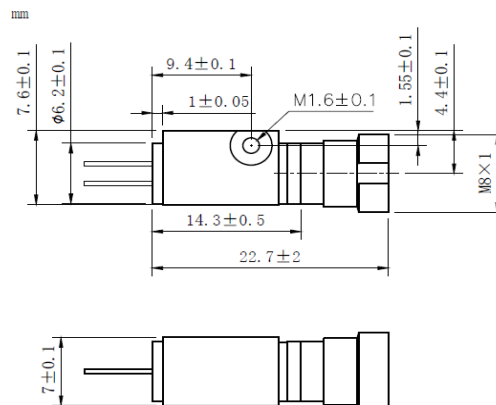


Wavelength	Part Number	Output Power	Fiber Core	Receptacle Connector
405nm	WSLR-405-200m-M	200mW	25um/40um/50um	FC/SC
	WSLR-405-300m-M	300mW	25um/40um/50um	FC/SC
	WSLR-405-350m-M	350mW	50um	FC/SC

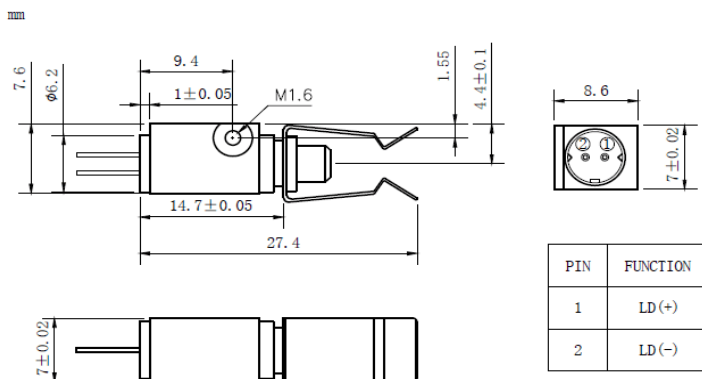
TOSA Packing View:



FC Package View :



SC Package View :



## Red & Green Aiming Beam for Fiber Laser

### PRODUCT FEATURE

Red(635nm/650nm) & Green(505nm/520nm)Laser Optional  
 4um/9um Fiber Core Optional  
 Up to 100mW Output Power  
 1000nm~1100nm Anti-reflection Function  
 Coaxial Package  
 Aiming Beam for Fiber Laser or Medical Application  
 Long Lifetime  
 High Stability



### PRODUCT OVERVIEW

Red & Green Aiming Beam is the competitive product of WAVESPECTRUM.

We offer Red and Green Aiming Beam for Fiber Laser and Medical application. The wavelength can be 635nm,650nm, 505nm and 520nm. The Fiber Core can be 4um or 9um. For Fiber Laser Aiming Beam, the 1000nm~1100nm Anti-reflection Function is optional.

WAVESPECTRUM also offer the Customized Solution for Aiming Beam, such as Customized Wavelength, Customized Power and Customized Fiber Core to meet the special needs of customers.

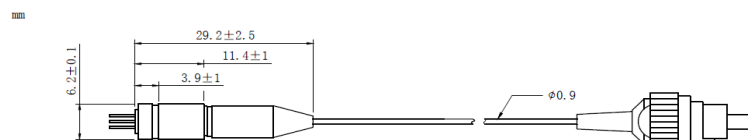
WAVESPECTRUM use laser welding technology to guarantee the long-term reliability of the laser structure. To ensure the long-term reliability, each laser diode will undergo rigorous testing and aging in the factory. Meanwhile the high-low storage temperature circulation is also necessary for each laser diode. We set the storage temperature range from -40°C to +85°C, and it lasts 10 cycles, which will ensure the long-term reliability of the coupling structure.



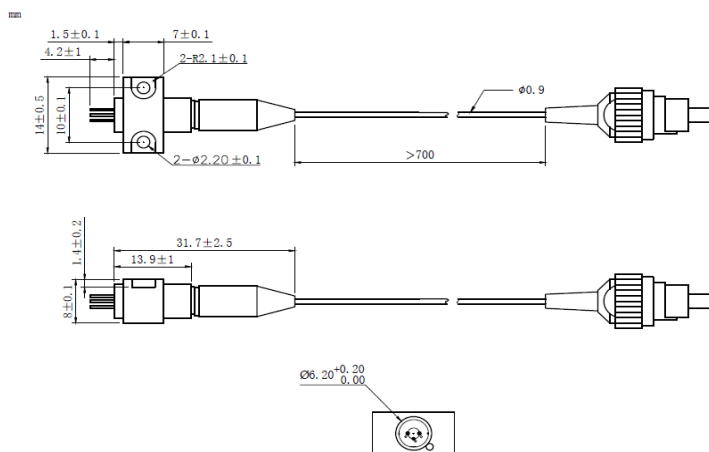
Wavelength	Part Number	Output Power	Fiber Type	Fiber Core	Color	1060nm Anti-reflection	Package	Connector
520nm	WSLP-520-030m-9-R	30mW	SMF-28	9um	Green	√	Coaxial	FC
	WSLP-520-020m-4-R	20mW	Single Mode	3um	Green	√	Coaxial	FC
635nm	WSLP-635-050m-9-R	50mW	SMF-28	9um	Red	√	Coaxial	FC
	WSLP-635-080m-9-R	80mW	SMF-28	9um	Red	√	Coaxial	FC
	WSLP-635-100m-9-R	100mW	SMF-28	9um	Red	√	Coaxial	FC
	WSLP-635-050m-4-R	50mW	Single Mode	4um	Red	√	Coaxial	FC
658nm	WSLP-650-020m-9	20mW	SMF-28	9um	Red	×	Coaxial	FC
	WSLP-650-040m-9	40mW	SMF-28	9um	Red	×	Coaxial	FC
	WSLP-650-020m-4	20mW	Single Mode	4um	Red	×	Coaxial	FC
	WSLP-650-040m-4	40mW	Single Mode	4um	Red	×	Coaxial	FC
	WSLP-650-050m-9-R	50mW	SMF-28	9um	Red	√	Coaxial	FC
	WSLP-650-080m-9-R	80mW	SMF-28	9um	Red	√	Coaxial	FC
	WSLP-650-100m-9-R	100mW	SMF-28	9um	Red	√	Coaxial	FC
	WSLP-650-050m-4-R	50mW	Single Mode	4um	Red	√	Coaxial	FC

Note: √:Yes, ○:Optional, ×:No.

**Coaxial Package View :**



**B8 Package View :**



## Triplex (RGB) Fiber Coupled White Laser Module

### PRODUCT FEATURE

RGB (635nm+445nm+520nm) Solution  
 SMF/MMF/PMF Optional  
 White Laser Output  
 Built-in TE Cooler Optional  
 Long Lifetime  
 High Stability



### PRODUCT OVERVIEW

Triplex (RGB) Fiber Coupled White Laser Module is the competitive product of WAVESPECTRUM.

We couple the Red (635nm), Green (520nm) and Blue (445nm) Laser into one piece of fiber to get the white Laser. The Fiber Type can be Single mode Fiber (SMF), Multimode Fiber (MMF) and Polarization Maintaining Fiber (PMF). The fiber core can be 4um, 9um, 105um, etc. The output power can be up to 200mW. By controlling the ratio of RGB Laser, we can get the perfect white laser. Meanwhile, by adjusting the ratio, various colors of laser also can be obtained.

WAVESPECTRUM also offer the Customized Solution for Triplex Laser Modules, such as Customized Wavelength, Customized Power and Customized Fiber Core to meet the special needs of customers.

WAVESPECTRUM use laser welding technology to guarantee the long-term reliability of the laser structure. To ensure the long-term reliability, each laser diode will undergo rigorous testing and aging in the factory. Meanwhile the high-low storage temperature circulation is also necessary for each laser diode. We set the storage temperature range from -40°C to +85°C, and it lasts 10 cycles, which will ensure the long-term reliability of the coupling structure.



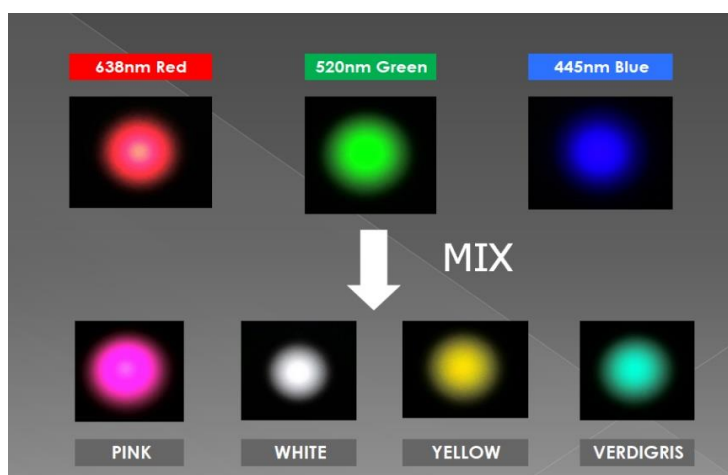
Fiber Type	Part Number	Port-1	Port-2	Port-3	Connector	Fiber Core	TEC
Single Mode	Triplex-WSLX-445/010m-520/010m-635/010m-4-H-T	638nm/10mW	520nm/10mW	445nm/10mW	FC	3um	✓
Single Mode	Triplex-WSLX-445/015m-520/015m-635/015m-4-H-T	638nm/15mW	520nm/15mW	445nm/15mW	FC	3um	✓
SMF-28	Triplex-WSLX-445/030m-520/030m-635/030m-9-H-T	638nm/30mW	520nm/30mW	445nm/30mW	FC	9um	✓
Multimode	Triplex-WSLX-445/050m-520/050m-635/050m-M-H-T	638nm/50mW	520nm/50mW	445nm/50mW	FC	105um	✓

Note: ✓:Yes, ○:Optional, ×:No.

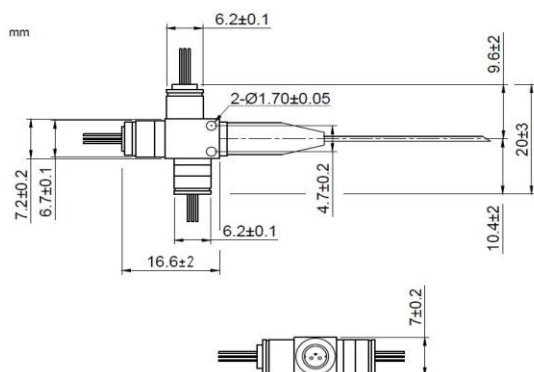
Various Wavelength Optional		
Port-1	405nm   445nm   488nm	Blue Laser
Port-2	505nm   520nm   525nm	Green Laser
Port-3	638nm   658nm   670nm   685nm	Red Laser

Various Fiber Type Optional	
SMF	3um
PMF	3um
MMF	9um   50um   105um   200um

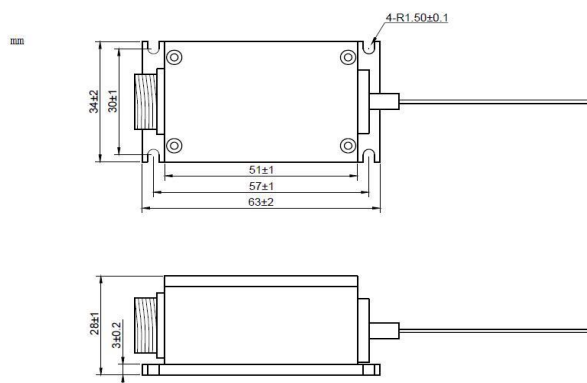
Laser Beam With SMF:



Triplex Package View :



Triplex HHL Package View :





## Triplex (RGB) Fiber Coupled White Laser System

### PRODUCT FEATURE

RGB (635nm+445nm+520nm) Turnkey Laser System  
 White Laser Output  
 SMF/PMF/MMF Optional  
 Each Wavelength Independent Control  
 Built-in Driver and TE Cooling  
 90V~240V AC Input  
 TTL/Analog Modulation  
 Long Lifetime  
 High Stability  
 Customized Wavelength/Power/Fiber Type



### PRODUCT OVERVIEW

Triplex (RGB) Fiber Coupled White Laser System is the competitive product of WAVESPECTRUM.

The Triplex Laser System contains the Fiber Coupled Laser Module, LD Driver and Temperature Control System. Just need input 90V~240V AC can work the Laser Source, it is easy to use. Meanwhile, the 635nm, 520nm and 445nm Laser are controlled Independently.

We couple the Red (635nm), Green (520nm) and Blue (445nm) Laser into one piece of fiber to get the white laser.

The Fiber Type can be Single mode Fiber (SMF) , Multimode Fiber (MMF) and Polarization Maintaining Fiber (PMF) . The fiber core can be 4um, 9um, 105um, etc. By controlling the ratio of RGB Laser, we can get the perfect white laser. Meanwhile, by adjusting the ratio, various colors of laser also can be obtained.

To ensure the long-time reliability and power stability, each Laser System will undergo rigorous testing and aging in factory.

WAVESPECTRUM also offer the Customized Solution for Triplex Laser System, such as Customized Wavelength, Customized Power and Customized Fiber Core to meet the special needs of customers.



Fiber Type	Part Number	Wavelength-1	Wavelength-2	Wavelength-3	Fiber Core	Analog	TTL
Single Mode	Triplex-WLSL-445/010m-520/010m-635/010m-4-H	638nm/10mW	520nm/10mW	445nm/10mW	3um	<input type="radio"/>	<input type="radio"/>
Single Mode	Triplex-WLSL-445/015m-520/015m-635/015m-4-H	638nm/15mW	520nm/15mW	445nm/15mW	3um	<input type="radio"/>	<input type="radio"/>
SMF-28	Triplex-WLSL-445/030m-520/030m-635/030m-9-H	638nm/30mW	520nm/30mW	445nm/30mW	9um	<input type="radio"/>	<input type="radio"/>
Multimode	Triplex-WLSL-445/050m-520/050m-635/050m-M-H	638nm/50mW	520nm/50mW	445nm/50mW	105um	<input type="radio"/>	<input type="radio"/>

Power supply: 90V~240VAC | Connector:FC | Built-in TE Cooling | Case Model: A-200

Note: √:Yes, ○:Optional, ×:No.

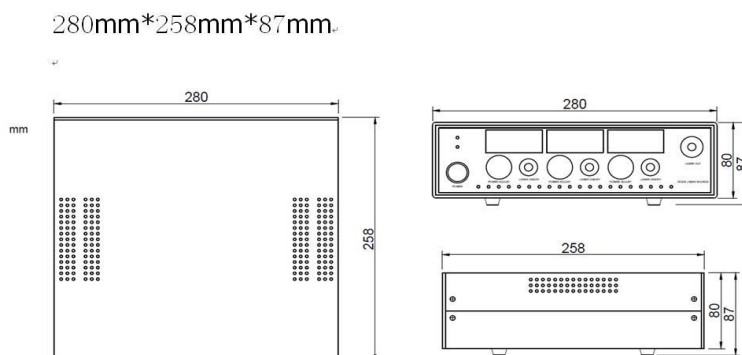
Various Wavelength Optional		
Port-1	405nm   445nm   488nm	Blue Laser
Port-2	505nm   520nm   525nm	Green Laser
Port-3	638nm   658nm   670nm   685nm	Red Laser

Various Fiber Type Optional	
SMF	3um
PMF	3um
MMF	9um   50um   105um   200um

Laser Beam With SMF:



Triplex Laser System Packing View (A200):



## 3-wavelength (Multi-wavelength) Fiber Coupled Laser System

### PRODUCT FEATURE

- Dual/Tri/Multi-wavelength Output Optional
- Any Wavelength Combination is Optional(405nm-1920nm)
- Upto 10 Wavelength Solution
- Multimode Fiber Output
- Built-in TE Cooling & Driver
- 90V~240V AC Input
- Each Wavelength Independent Control
- TTL/Analog Modulation Optional
- Long Lifetime
- High Stability
- Customized Wavelength/Power



### PRODUCT OVERVIEW

3-wavelength (Multi-wavelength )Fiber Coupled Laser System is the competitive product of WAVESPECTRUM.

We offer Dual-wavelength Laser System , Tri-wavelength Laser System and Multi-wavelength Laser System, you can choose any wavelength combination from 405nm to 1920nm range. The quantity of wavelength upto 10pcs. The output power for each wavelength is customized. The wavelength combination is also customized.

The 3-wavelength (Multi-wavelength )Fiber Coupled Laser System contains the Fiber Coupled Laser Module, LD Driver and Temperature Control System. Just need Input 90V~240V AC can work the Laser Source, it is easy to use. Meanwhile, each wavelength can be independently controlled. To ensure the long-time reliability and power stability, each Laser system will undergo rigorous testing and aging in factory.



Dual-wavelength Fiber Coupled Laser System						
Part Number	Wavelength		Output Power	Fiber Core	Case Model	Power Supply
WSLS-980/030-H-A	Wavelength-1	980nm	0~30W	< 400um	A-300	90V~240VAC
	Wavelength-2	650nm	0~10mW			
WSLS-635/700m-1470/012-H	Wavelength-1	635nm	0~700mW	< 400um	A-300	90V~240VAC
	Wavelength-2	1470nm	0~12W			
Note	(1) The Wavelength is optional, customer can choose any 2 wavelength from 405nm~1920nm. (2) The Output Power is customized for each wavelength.					

Tri-wavelength Fiber Coupled Laser System						
Part Number	Wavelength		Output Power	Fiber Core	Case Model	Power Supply
WSLS-650/700m-980nm/010-1470/002-H	Wavelength-1	650nm	0~700mW	< 300um	A-300	90V~240VAC
	Wavelength-2	980nm	0~10W			
	Wavelength-3	1470nm	0~2W			
WSLS-808/012-980/012-635/001-H	Wavelength-1	808nm	0~12W	< 400um	A-300	90V~240VAC
	Wavelength-2	980nm	0~12W			
	Wavelength-3	635nm	0~1W			
WSLS-445/001-520/700m-635/001-H	Wavelength-1	445nm	0~1W	< 300um	A-200	90V~240VAC
	Wavelength-2	520nm	0~700mW			
	Wavelength-3	635nm	0~1W			
Note	(1) The Wavelength is optional, customer can choose any 3 wavelength from 405nm~1920nm. (2) The Output Power is customized for each wavelength.					

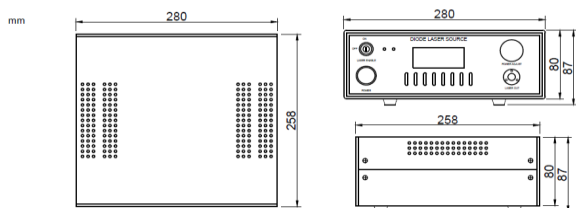
Note

The Multi-wavelength solution is available, you can choose any wavelength combination from 405nm to 1920nm range. The detailed wavelength list is below:

405nm	445nm	465nm	488nm	505nm	515nm	520nm	525nm	635nm	650nm	660nm	670nm	680nm
685nm	760nm	785nm	790nm	808nm	830nm	850nm	860nm	880nm	905nm	915nm	940nm	980nm
1064nm	1210nm	1270nm	1280nm	1290nm	1310nm	1330nm	1350nm	1370nm	1390nm	1410nm	1430nm	1450nm
1470nm	1490nm	1510nm	1530nm	1550nm	1570nm	1590nm	1610nm	1625nm	1650nm	1720nm	1900nm	1920nm

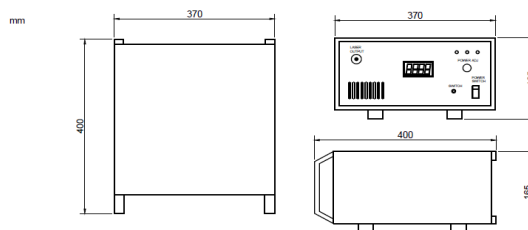
A200 Packing View:

280mm\*258mm\*87mm



A300 Packing View:

400mm\*370mm\*165mm



## 3-channel (Multi-channel) Fiber Coupled Laser System

### PRODUCT FEATURE

Dual/Tri/Multi-channel Output Optional  
 The Wavelength of Each Channel is Optional from 405nm to 1920nm  
 The Fiber Type of Each Channel is Optional from SMF/MMF/PMF  
 The Quantity of Channel is Optional  
 Upto 10 Channel  
 Built-in TE Cooling & Driver  
 90V~240V AC Input  
 Each Channel Independent Control  
 TTL/Analog Modulation Optional  
 Long Lifetime  
 High Stability  
 Customized Wavelength/Power/Fiber Type



### PRODUCT OVERVIEW

3-channel (Multi-channel) Fiber Coupled Laser System is the competitive product of WAVESPECTRUM.

We offer Dual-channel Laser System , Tri-channel Laser System and Multi-channel Laser System. You can choose the wavelength for each channel from 405nm to 1920nm. You can choose the fiber type for each channel from SMF, MMF and PMF. You can choose the output power for each channel. You can choose the quantity of channel. The quantity of channel upto 10pcs.

The 3-channel (Multi-channel) Fiber Coupled Laser System contains the Fiber Coupled Laser Module, LD Driver and Temperature Control System. Just need input 90V~240V AC can work the Laser Source, it is easy to use. Meanwhile, Each channel can be independently controlled. To ensure the long-time reliability and power stability, each Laser System will undergo rigorous testing and aging in factory.



Part Number	Wavelength		Output Power	Power Supply	Fiber Core	Fiber Type	Case Model
WSLS-405/050m/4-445/030m/4-488/020m/4-H-CH3	Channel-1	405nm	0~50mW	90V~240VAC	3um	SMF	A-200
	Channel-2	445nm	0~30mW		3um	SMF	
	Channel-3	488nm	0~20mW		3um	SMF	
WSLS-635/050m/PM-650/050m/PM-785/050m/PM-CH3	Channel-1	635nm	0~50mW	90V~240VAC	4um	PMF	A-200
	Channel-2	650nm	0~50mW		4um	PMF	
	Channel-3	785nm	0~50mW		5um	PMF	
WSLS-808/003/M-830/003/M-880/003/M-CH3	Channel-1	808nm	0~3W	90V~240VAC	105um	MMF	A-200
	Channel-2	830nm	0~3W		105um	MMF	
	Channel-3	880nm	0~3W		105um	MMF	
WSLS-635/050m/4-635/400m/M-635/050m/PM-CH3	Channel-1	635nm	0~50mW	90V~240VAC	4um	SMF	A-200
	Channel-2	635nm	0~400mW		105um	MMF	
	Channel-3	635nm	0~50mW		4um	PMF	
WSLS-670/005m/4-670/005m/4-670/005m/4-CH3	Channel-1	670nm	0~5mW	90V~240VAC	4um	SMF	A-200
	Channel-2	670nm	0~5mW		4um	SMF	
	Channel-3	670nm	0~5mW		4um	SMF	
Note	(1) The Wavelength is optional for each channel from 405nm~1920nm. (2) The Output Power is customized for each channel. (3) The Fiber Type is optional from SMF/PMF/MMF for each channel.						

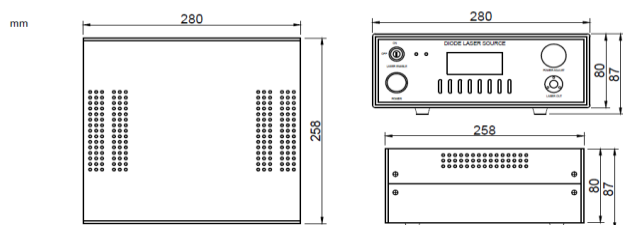
**Note**  
 The Multi-channel solution is available.  
 You can choose any wavelength from 405nm to 1920nm range for each channel.  
 You can choose any fiber type from SMF/PMF/MMF for each channel.  
 You can choose the quantity of channel, which upto 10pcs.

The detailed wavelength list is below:

405nm	445nm	465nm	488nm	505nm	515nm	520nm	525nm	635nm	650nm	660nm	670nm	680nm
685nm	760nm	785nm	790nm	808nm	830nm	850nm	860nm	880nm	905nm	915nm	940nm	980nm
1064nm	1210nm	1270nm	1280nm	1290nm	1310nm	1330nm	1350nm	1370nm	1390nm	1410nm	1430nm	1450nm
1470nm	1490nm	1510nm	1530nm	1550nm	1570nm	1590nm	1610nm	1625nm	1650nm	1720nm	1900nm	1920nm

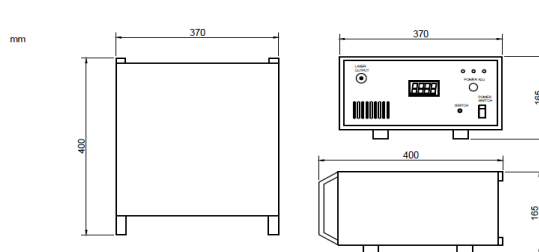
**A200 Packing View:**

280mm\*258mm\*87mm



**A300 Packing View:**

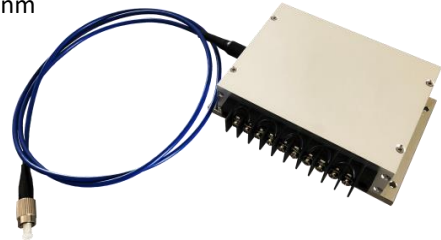
400mm\*370mm\*165mm



## Multi-wavelength Fiber Coupled Laser Module

### PRODUCT FEATURE

Dual/Tri/Multi-wavelength Solution Optional  
 Any Wavelength Combination is optional from 405nm to 1920nm  
 Multimode Fiber Output  
 400um Fiber Core  
 Built-in TE Cooler Optional  
 Built-in Photodiode Optional  
 Long Lifetime  
 High Stability  
 Customized Wavelength/Power/Fiber Core



### PRODUCT OVERVIEW

Multi-wavelength Fiber Coupled Laser Module is the competitive product of WAVESPECTRUM.

We offer Dual-wavelength Laser Module, Tri-wavelength Laser Module and Multi-wavelength Laser Module , you can choose any wavelength combination from 405nm to 1920nm range. This Laser Module is mainly used for Medical Application. We can integrate the TE Cooler and Photodiode into the Laser Module. The Output Power for each wavelength is customized. The wavelength combination is also customized.

WAVESPECTRUM use laser welding technology to guarantee the long-term reliability of the laser structure. To ensure the long-term reliability, each laser module will undergo rigorous testing and aging in the factory. Meanwhile the high-low storage temperature circulation is also necessary for each laser module. We set the storage temperature range from -40°C to +85°C, and it lasts 10 cycles, which will ensure the long-term reliability of the coupling structure.



Dual-wavelength Fiber Coupled Laser module							
Part Number	Wavelength	Output Power	Fiber Core	Package	Connector	TEC	PD
WSLB-650/100m-980/030-H-T	λ-1 658nm	100mW	<400um	P2	FC/SMA905	√	○
	λ-2 980nm	30W					
WSLB-635/300m-808/012-H-T	λ-1 635nm	300mW	<400um	P2	FC/SMA905	√	○
	λ-2 808nm	12W					
WSLB-650/500m-1470/012-H-T	λ-1 658nm	500mW	<400um	P2	FC/SMA905	√	○
	λ-2 1470nm	12W					
Note	(1) The Wavelength is optional, customer can choose any 2 wavelength from 405nm~1920nm. (2) The Output Power is customized for each wavelength.						

Note: √:Yes, ○:Optional, ×:No.

Tri-wavelength Fiber Coupled Laser Module							
Part Number	Wavelength	Output Power	Fiber Core	Package	Connector	TEC	PD
WSLB-635/100m-808/007-980/007-H-T	λ-1 635nm	100mW	<300um	P2	FC/SMA905	√	○
	λ-2 808nm	7W					
	λ-3 980nm	7W					
WSLB-635/001-808/012-980/012-H-T	λ-1 635nm	1W	<400um	P2	FC/SMA905	√	○
	λ-2 808nm	12W					
	λ-3 980nm	12W					
WSLB-650/100m-940/012-980/012-H-T	λ-1 658nm	100mW	<300um	P2	FC/SMA905	√	○
	λ-2 940nm	12W					
	λ-3 980nm	12W					
Note	(1) The Wavelength is optional, customer can choose any 3 wavelength from 405nm~1920nm. (2) The Output Power is customized for each wavelength.						

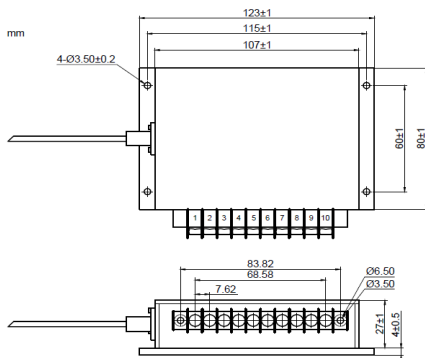
Note: √:Yes, ○:Optional, ×:No.

Note

The Multi-wavelength solution is available, you can choose any wavelength combination from 405nm to 1920nm range. The detailed wavelength list is below:

405nm	445nm	465nm	488nm	505nm	515nm	520nm	525nm	635nm	650nm	660nm	670nm	680nm
685nm	760nm	785nm	790nm	808nm	830nm	850nm	860nm	880nm	905nm	915nm	940nm	980nm
1064nm	1210nm	1270nm	1280nm	1290nm	1310nm	1330nm	1350nm	1370nm	1390nm	1410nm	1430nm	1450nm
1470nm	1490nm	1510nm	1530nm	1550nm	1570nm	1590nm	1610nm	1625nm	1650nm	1720nm	1900nm	1920nm

P2 Packing View:

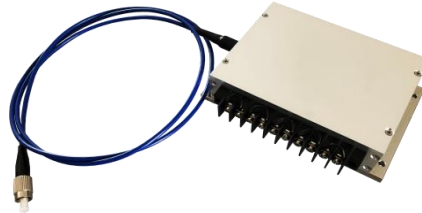




## High Power Fiber Bundled Laser Module

### PRODUCT FEATURE

405nm~1920nm Optional  
 Multimode Fiber Output  
 300um/400um Fiber Core  
 Upto 50W Output Power  
 Built-in TE Cooler Optional  
 Built-in Photodiode Optional  
 Aiming Beam is optional for IR Laser  
 Long Lifetime  
 High Stability  
 Customized Wavelength/Power/Fiber Core



### PRODUCT OVERVIEW

Fiber Bundled Laser Module is the competitive product of WAVESPECTRUM.

We bundle multiple Pigtailed Laser Module to get high power output. The wavelength can be chosen from 405nm to 1920nm range. The output power upto 50W. Meanwhile, the TE Cooler and Photodiode is optional. We can integrate the Red or Green Aiming Beam into the IR Laser Module.

WAVESPECTRUM use laser welding technology to guarantee the long-term reliability of the laser structure. To ensure the long-term reliability, each laser module will undergo rigorous testing and aging in the factory. Meanwhile the high-low storage temperature circulation is also necessary for each laser module. We set the storage temperature range from -40°C to +85°C, and it lasts 10 cycles, which will ensure the long-term reliability of the coupling structure.



Wavelength	Part Number	Output Power	Fiber Core	Package	Connector	Aiming Beam	TEC	PD
405nm	WSLB-405-1200m-H-T	1.2W	<400um	P2	FC/SMA905	○	√	○
	WSLB-405-002-H-T	2W	<400um	P2	FC/SMA905	○	√	○
	WSLB-405-005-H	5W	<800um	P3	FC/SMA905	○	○	○
	<b>WSLB-405-XXX-XXX</b>	<b>Customized</b>	<b>Customized</b>	<b>Customized</b>	<b>Customized</b>	○	○	○
445nm	WSLB-445-010-H-T	10W	<300um	P2	FC/SMA905	○	√	○
	WSLB-445-015-H-T	15W	<400um	P2	FC/SMA905	○	√	○
	<b>WSLB-445-XXX-XXX</b>	<b>Customized</b>	<b>Customized</b>	<b>Customized</b>	<b>Customized</b>	○	○	○
465nm	WSLB-465-006-H-T	6W	<300um	P2	FC/SMA905	○	√	○
	WSLB-465-010-H-T	10W	<400um	P2	FC/SMA905	○	√	○
	<b>WSLB-465-XXX-XXX</b>	<b>Customized</b>	<b>Customized</b>	<b>Customized</b>	<b>Customized</b>	○	○	○
520nm	WSLB-520-002-H-T	2W	<300um	P2	FC/SMA905	○	√	○
	WSLB-520-3500m-H-T	3.5W	<400um	P2	FC/SMA905	○	√	○
	<b>WSLB-520-XXX-XXX</b>	<b>Customized</b>	<b>Customized</b>	<b>Customized</b>	<b>Customized</b>	○	○	○
525nm	WSLB-525-002-H-T	2W	<300um	P2	FC/SMA905	○	√	○
	WSLB-525-3500m-H-T	3.5W	<400um	P2	FC/SMA905	○	√	○
	<b>WSLB-525-XXX-XXX</b>	<b>Customized</b>	<b>Customized</b>	<b>Customized</b>	<b>Customized</b>	○	○	○
635nm	WSLB-635-003-H-T	3W	<300um	P2	FC/SMA905	○	√	○
	WSLB-635-005-H-T	5W	<400um	P2	FC/SMA905	○	√	○
	<b>WSLB-635-XXX-XXX</b>	<b>Customized</b>	<b>Customized</b>	<b>Customized</b>	<b>Customized</b>	○	○	○
658nm	WSLB-650-002-H-T	2W	<300um	P2	FC/SMA905	○	√	○
	WSLB-650-3500m-H-T	3.5W	<400um	P2	FC/SMA905	○	√	○
	WSLB-650-005-H-T	5W	<400um	P2	FC/SMA905	○	√	○
	<b>WSLB-650-XXX-XXX</b>	<b>Customized</b>	<b>Customized</b>	<b>Customized</b>	<b>Customized</b>	○	○	○
680nm	WSLB-680-002-H-T	2W	<300um	P2	FC/SMA905	○	√	○
	WSLB-680-3500m-H-T	3.5W	<400um	P2	FC/SMA905	○	√	○
	WSLB-680-005-H-T	5W	<400um	P2	FC/SMA905	○	√	○
	<b>WSLB-680-XXX-XXX</b>	<b>Customized</b>	<b>Customized</b>	<b>Customized</b>	<b>Customized</b>	○	○	○
760nm	WSLB-760-004-H-T	4W	<300um	P2	FC/SMA905	○	√	○
	WSLB-760-010-H-T	10W	<400um	P2	FC/SMA905	○	√	○
	<b>WSLB-760-XXX-XXX</b>	<b>Customized</b>	<b>Customized</b>	<b>Customized</b>	<b>Customized</b>	○	○	○
785nm	WSLB-785-010-H-T	10W	<300um	P2	FC/SMA905	○	√	○
	WSLB-785-020-H-T	20W	<400um	P2	FC/SMA905	○	√	○
	<b>WSLB-785-XXX-XXX</b>	<b>Customized</b>	<b>Customized</b>	<b>Customized</b>	<b>Customized</b>	○	○	○
808nm	WSLB-808-012-H-T	12W	<300um	P2	FC/SMA905	○	√	○
	WSLB-808-020-H-T	20W	<300um	P2	FC/SMA905	○	√	○
	<b>WSLB-808-XXX-XXX</b>	<b>Customized</b>	<b>Customized</b>	<b>Customized</b>	<b>Customized</b>	○	○	○
830nm	WSLB-830-009-H-T	9W	<300um	P2	FC/SMA905	○	√	○
	WSLB-830-012-H-T	12W	<400um	P2	FC/SMA905	○	√	○
	WSLB-830-020-H-T	20W	<400um	P2	FC/SMA905	○	√	○
	<b>WSLB-830-XXX-XXX</b>	<b>Customized</b>	<b>Customized</b>	<b>Customized</b>	<b>Customized</b>	○	○	○

Note: √:Yes, ○:Optional, ×:No.

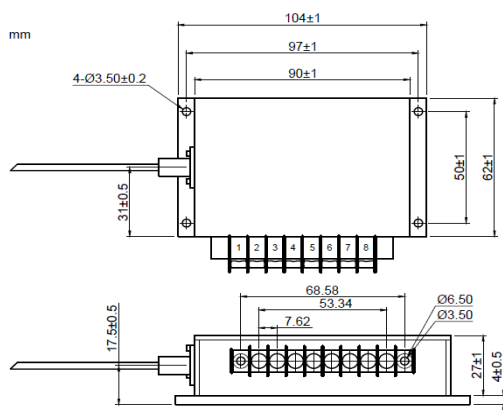
Wavelength	Part Number	Output Power	Fiber Core	Package	Connector	Aiming Beam	TEC	PD
860nm	WSLB-860-006-H-T	6W	< 300um	P2	FC/SMA905	○	√	○
	WSLB-860-010-H-T	10W	< 400um	P2	FC/SMA905	○	√	○
	<b>WSLB-860-XXX-XXX</b>	<b>Customized</b>	<b>Customized</b>	<b>Customized</b>	<b>Customized</b>	○	○	○
880nm	WSLB-880-009-H-T	9W	< 300um	P2	FC/SMA905	○	√	○
	WSLB-880-012-H-T	12W	< 400um	P2	FC/SMA905	○	√	○
	WSLB-880-020-H-T	20W	< 400um	P2	FC/SMA905	○	√	○
	<b>WSLB-880-XXX-XXX</b>	<b>Customized</b>	<b>Customized</b>	<b>Customized</b>	<b>Customized</b>	○	○	○
915nm	WSLB-915-030-H-T	30W	< 300um	P2	FC/SMA905	○	√	○
	<b>WSLB-915-XXX-XXX</b>	<b>Customized</b>	<b>Customized</b>	<b>Customized</b>	<b>Customized</b>	○	○	○
940nm	WSLB-940-030-H-T	30W	< 300um	P2	FC/SMA905	○	√	○
	<b>WSLB-940-XXX-XXX</b>	<b>Customized</b>	<b>Customized</b>	<b>Customized</b>	<b>Customized</b>	○	○	○
980nm	WSLB-980-030-H-T	30W	< 300um	P2	FC/SMA905	○	√	○
	<b>WSLB-980-XXX-XXX</b>	<b>Customized</b>	<b>Customized</b>	<b>Customized</b>	<b>Customized</b>	○	○	○
1064nm	WSLB-1064-020-H-T	20W	< 300um	P2	FC/SMA905	○	√	○
	<b>WSLB-1064-XXX-XXX</b>	<b>Customized</b>	<b>Customized</b>	<b>Customized</b>	<b>Customized</b>	○	○	○
1210nm	WSLB-1210-003-H-T	3W	< 300um	P2	FC/SMA905	○	√	○
	<b>WSLB-1210-XXX-XXX</b>	<b>Customized</b>	<b>Customized</b>	<b>Customized</b>	<b>Customized</b>	○	○	○
1280nm	WSLB-1280-003-H-T	3W	< 300um	P2	FC/SMA905	○	√	○
	<b>WSLB-1280-XXX-XXX</b>	<b>Customized</b>	<b>Customized</b>	<b>Customized</b>	<b>Customized</b>	○	○	○
1310nm	WSLB-1310-003-H-T	3W	< 300um	P2	FC/SMA905	○	√	○
	<b>WSLB-1310-XXX-XXX</b>	<b>Customized</b>	<b>Customized</b>	<b>Customized</b>	<b>Customized</b>	○	○	○
1330nm	WSLB-1330-003-H-T	3W	< 300um	P2	FC/SMA905	○	√	○
	<b>WSLB-1330-XXX-XXX</b>	<b>Customized</b>	<b>Customized</b>	<b>Customized</b>	<b>Customized</b>	○	○	○
1450nm	WSLX-1450-007-H-T	7W	< 300um	P2	FC/SMA905	○	√	○
	WSLX-1450-010-H-T	10W	< 400um	P2	FC/SMA905	○	√	○
	WSLX-1450-012-H-T	12W	< 400um	P2	FC/SMA905	○	√	○
	WSLX-1450-015-H-T	15W	< 400um	P2	FC/SMA905	○	√	○
	<b>WSLX-1450-XXX-XX</b>	<b>Customized</b>	<b>Customized</b>	<b>Customized</b>	<b>Customized</b>	○	○	○
1470nm	WSLX-1470-007-H-T	7W	< 300um	P2	FC/SMA905	○	√	○
	WSLX-1470-010-H-T	10W	< 400um	P2	FC/SMA905	○	√	○
	WSLX-1470-012-H-T	12W	< 400um	P2	FC/SMA905	○	√	○
	WSLX-1470-015-H-T	15W	< 400um	P2	FC/SMA905	○	√	○
	<b>WSLX-1470-XXX-XX</b>	<b>Customized</b>	<b>Customized</b>	<b>Customized</b>	<b>Customized</b>	○	○	○
1490nm	WSLX-1490-006-H-T	6W	< 300um	P2	FC/SMA905	○	√	○
	<b>WSLX-1490-XXX-XX</b>	<b>Customized</b>	<b>Customized</b>	<b>Customized</b>	<b>Customized</b>	○	○	○
1530nm	WSLX-1530-007-H-T	7W	< 300um	P2	FC/SMA905	○	√	○
	WSLX-1530-010-H-T	10W	< 400um	P2	FC/SMA905	○	√	○
	WSLX-1530-012-H-T	12W	< 400um	P2	FC/SMA905	○	√	○
	WSLX-1530-015-H-T	15W	< 400um	P2	FC/SMA905	○	√	○
	<b>WSLX-1530-XXX-XX</b>	<b>Customized</b>	<b>Customized</b>	<b>Customized</b>	<b>Customized</b>	○	○	○

Note: √:Yes, ○:Optional, ×:No.

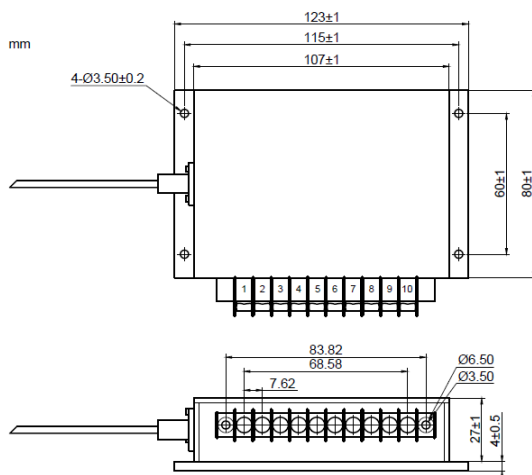
Wavelength	Part Number	Output Power	Fiber Core	Package	Connector	Aiming Beam	TEC	PD
1550nm	WSLX-1550-007-H-T	7W	< 300um	P2	FC/SMA905	○	√	○
	WSLX-1550-010-H-T	10W	< 400um	P2	FC/SMA905	○	√	○
	WSLX-1550-012-H-T	12W	< 400um	P2	FC/SMA905	○	√	○
	WSLX-1550-015-H-T	15W	< 400um	P2	FC/SMA905	○	√	○
	WSLX-1550-XXX-XX	Customized	Customized	Customized	Customized	○	○	○
1720nm	WSLB-1720-003-H-T	3W	< 300um	P2	FC/SMA905	○	√	○
	WSLB-1720-XXX-XXX	Customized	Customized	Customized	Customized	○	○	○
1900nm	WSLB-1900-002-H-T	2W	< 400um	P2	FC/SMA905	○	√	○
	WSLB-1900-XXX-XXX	Customized	Customized	Customized	Customized	○	○	○
1920nm	WSLB-1920-002-H-T	2W	< 400um	P2	FC/SMA905	○	√	○
	WSLB-1920-XXX-XXX	Customized	Customized	Customized	Customized	○	○	○

Note: √:Yes, ○:Optional, ×:No.

P1 Packing View:



P2 Packing View:



## Photodiode

### PRODUCT FEATURE

InGaAs Photodiode  
 850nm~1700nm Response Spectrum  
 55um~5000um Response Area  
 TO/Coaxial/Receptacle Package Optional  
 Array Package Optional  
 High Modulation Frequency  
 Low Noise



### PRODUCT OVERVIEW

InGaAs photodiode response for 850nm to 1700nm range, the sensitive diameter is from 55um to 5000um and the modulation speed upto 5GHz. The standard package can be TO-Can, Coaxial and Fiber Receptacle Package. For the special application, the Array Package is optional.

To ensure the long-term reliability, each photodiode will undergo rigorous testing and aging in factory. Meanwhile the high-low storage temperature circulation is also necessary for each photodiode. We set the storage temperature range from -40°C to +85°C, and it lasts 10 cycles, which will ensure the long-term stability of photodiode.

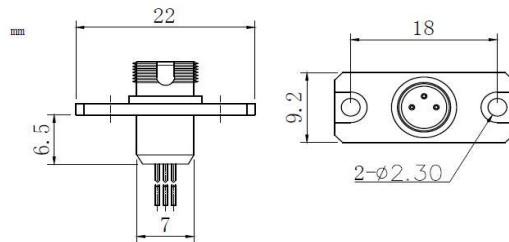


TO-can Photodiode						
No.	Part Number	Detector Type	Sensitive Area	Response Spectrum	Package	
1	WSPD-IGA-80-1	InGaAs	80um	850nm~1700nm	TO46	
2	WSPD-IGA-300-1	InGaAs	300um	850nm~1700nm	TO46	
3	WSPD-IGA-500-1	InGaAs	500um	850nm~1700nm	TO46	
4	WSPD-IGA-1000-1	InGaAs	1000um	850nm~1700nm	TO46	
5	WSPD-IGA-2000-2	InGaAs	2000um	850nm~1700nm	TO5	
6	WSPD-IGA-3000-2	InGaAs	3000um	850nm~1700nm	TO5	
7	WSPD-IGA-5000-2	InGaAs	5000um	850nm~1700nm	TO5	

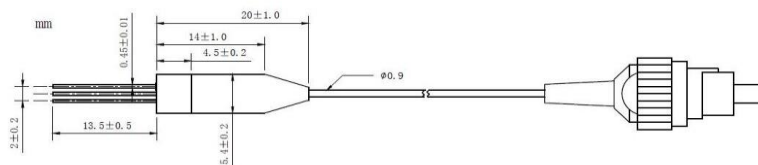
Coaxial Pigtailed Photodiode						
No.	Part Number	Detector Type	Sensitive Area	Response Spectrum	Fiber Core	Package
1	WSPP-IGA-55-9	InGaAs	55um	850nm~1700nm	9um	Coaxial
2	WSPP-IGA-80-9	InGaAs	80um	850nm~1700nm	9um	Coaxial
3	WSPP-IGA-300-9	InGaAs	300um	850nm~1700nm	9um	Coaxial
4	WSPP-IGA-500-9	InGaAs	500um	850nm~1700nm	9um	Coaxial
5	WSPP-IGA-1000-9	InGaAs	1000um	850nm~1700nm	9um	Coaxial
6	WSPP-IGA-2000-9	InGaAs	2000um	850nm~1700nm	9um	Coaxial
7	WSPP-IGA-3000-9	InGaAs	3000um	850nm~1700nm	9um	Coaxial
<b>Note</b>	<b>50um,62.5um and105um Multi-mode Fiber Optional</b>					

Note: √:Yes, ○:Optional, ×:No.

**Receptacle Packing View:**



**Coaxial Packing View:**





WE FOCUS ON LASER



Wavespectrum Laser Group Limited

Address : 2# Haitai Innovation 6th Road, Xiqing Dist, 300392, TianJin, China

Web : [www.wavespectrum-laser.com.cn](http://www.wavespectrum-laser.com.cn)

Email : [sales@wavespectrum-laser.com.cn](mailto:sales@wavespectrum-laser.com.cn)

Tel : 86-022-87931118

Fax : 86-022-86392109