
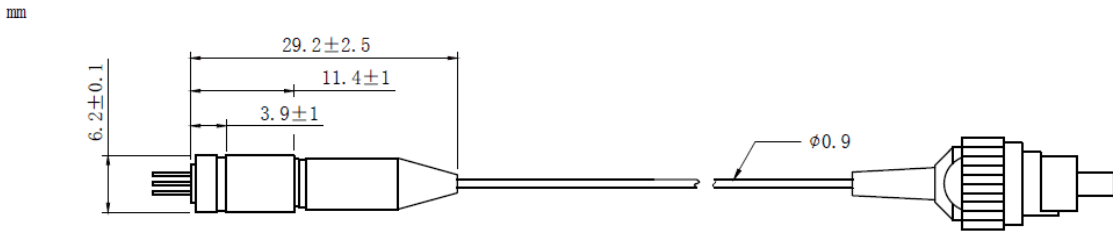
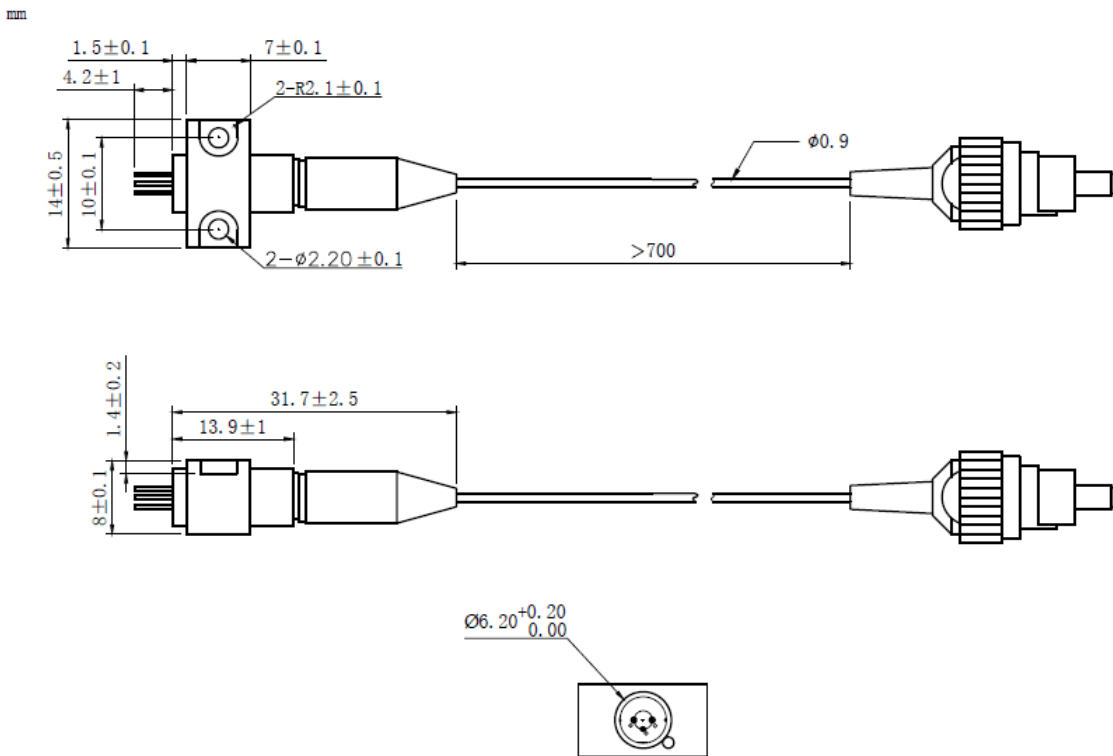
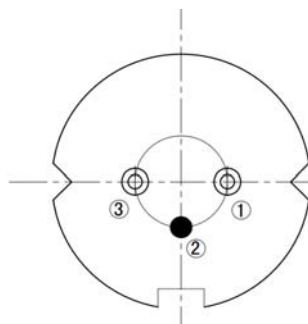


**980nm 30mW SM Coaxial Pigtailed Laser Diode with 6um SMF | Built-in PD**
**976nm~980nm 30mW SM Fiber Coupled LD with Single Mode Fiber (SM Fiber) | With Photodiode**
**WSLP-980-030m-4-PD**
**Wavespectrum Laser Group**
**www.wavespectrum-laser.com**

980nm Pigtailed Diode Laser		30mW/SM Fiber		en.wavespectrum-laser.com.cn	
PARAMETER	SYMBOL	VALUE		UNIT	
Reverse Voltage	$V_r$	2.0		V	
Operating Temperature	$T_{op}$	-10~+50		°C	
Storage Temperature	$T_{stg}$	-40~+85		°C	
Lead soldering temperature (10 sec.)	$T_{is}$	260		°C	
<b>Features:</b> <ul style="list-style-type: none"> <li>● 976nm</li> <li>● 6um SM Fiber</li> <li>● Coaxial or B82 Package</li> <li>● Built-in PD</li> </ul>					
<b>Applications:</b> <ul style="list-style-type: none"> <li>● Medical Laser Treatment</li> <li>● Others</li> </ul>					
<b>Specifications</b>		<b>WSLP-980-030m-4-PD</b>			
		Min	Type	Max	
Center Wavelength@25°C		±5nm	976nm	±15nm	
Recommended Operating Temperature		25°C			
Output Power		----	30mW	----	
Fiber Type		Single Mode Fiber			
Fiber Core		6um			
Monitor Current		----	0.2mA	----	
PD Reverse Voltage		----	----	30V	
Fiber Connector		FC/SC/SMA905			
Fiber Length		----	80cm	100cm	
Threshold Current (Typ.)		----	20mA	50mA	
Operating Current (Typ.)		----	130mA	150mA	
Operating Voltage		----	1.9V	2.7V	
Package Style		Coaxial or B82			
Photodiodes		Built-in			



**Coaxial Package View: (Part Number: WSLP-980-030m-4-PD)**

**B82 Package View: (Part Number: WSLP-980-030m-4-B-PD)**

**PIN Bottom View:**


<b>PIN 1</b>	<b>LD(-)</b>
<b>PIN 2</b>	<b>LD(+)&amp;PD(-), CASE</b>
<b>PIN 3</b>	<b>PD(+)</b>



Electrically shorten LD module and store in non-extreme conditions.  
Suggest using the constant current power supply.

