
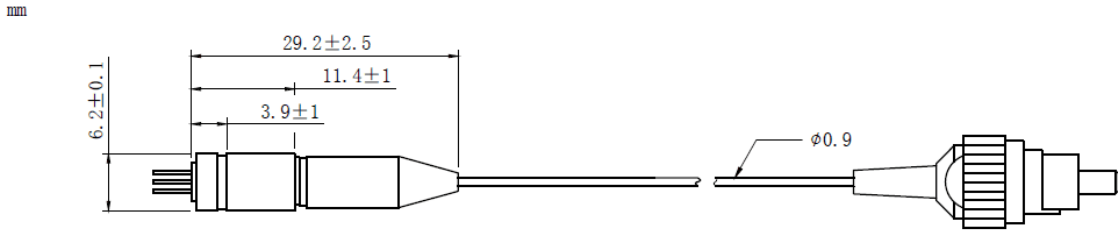
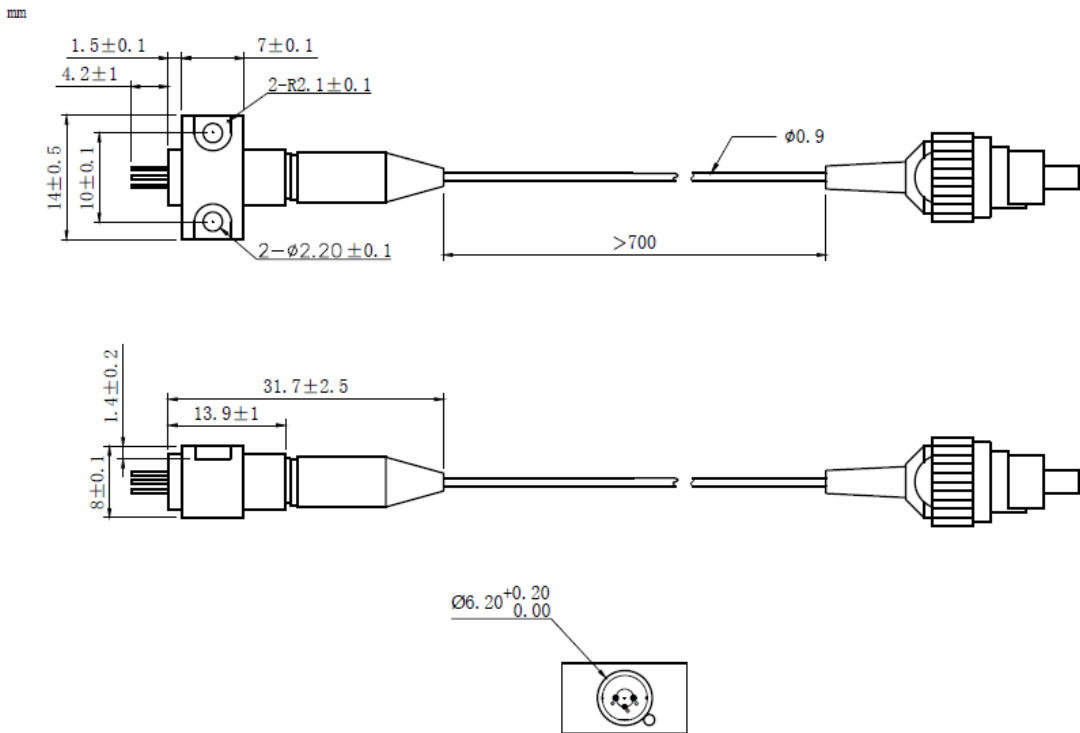
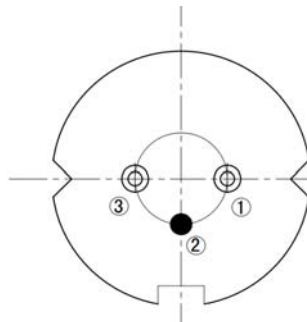


980nm 10mW~15mW SM Coaxial Pigtailed Laser Diode with 6um SMF | Built-in PD
976nm~980nm 10mW SM Fiber Coupled LD with Single Mode Fiber (SM Fiber) | With Photodiode
WSLP-980-010m-4-PD
Wavespectrum Laser Group
www.wavespectrum-laser.com

980nm Pigtailed Diode Laser		10mW/SM Fiber		en.wavespectrum-laser.com.cn	
PARAMETER	SYMBOL	VALUE		UNIT	
Reverse Voltage	V_r	2.0		V	
Operating Temperature	T_{op}	-10~+50		°C	
Storage Temperature	T_{stg}	-40~+85		°C	
Lead soldering temperature (10 sec.)	T_{is}	260		°C	
Features: <ul style="list-style-type: none"> 976nm 6um SM Fiber Coaxial or B82 Package Built-in PD 					
Applications: <ul style="list-style-type: none"> Medical Laser Treatment Others 					
Specifications		WSLP-980-010m-4-PD			
		Min	Type	Max	
Center Wavelength@25°C		±5nm	976nm	±15nm	
Recommended Operating Temperature		25°C			
Output Power		----	10mW	----	
Fiber Type		Single Mode Fiber			
Fiber Core		6um			
Monitor Current		----	0.2mA	----	
PD Reverse Voltage		----	----	30V	
Fiber Connector		FC/SC/SMA905			
Fiber Length		----	80cm	100cm	
Threshold Current (Typ.)		----	15mA	35mA	
Operating Current (Typ.)		----	90mA	100mA	
Operating Voltage		----	1.7V	2.5V	
Package Style		Coaxial or B82			
Photodiodes		Built-in			



Coaxial Package View: (Part Number: WSLP-980-010m-4-PD)

B82 Package View: (Part Number: WSLP-980-010m-4-B-PD)

PIN Bottom View:


PIN 1	LD(-)
PIN 2	LD(+)&PD(-), CASE
PIN 3	PD(+)



Electrically shorten LD module and store in non-extreme conditions.
Suggest using the constant current power supply.

