


830nm 50mW~60mW SM Fiber Coupled LD with 9um Fiber (SMF-28) | Built-in Photodiode

820nm~830nm~840nm 50mW High Power Coaxial Pigtailed Laser Diode with SMF28 Fiber | With PD

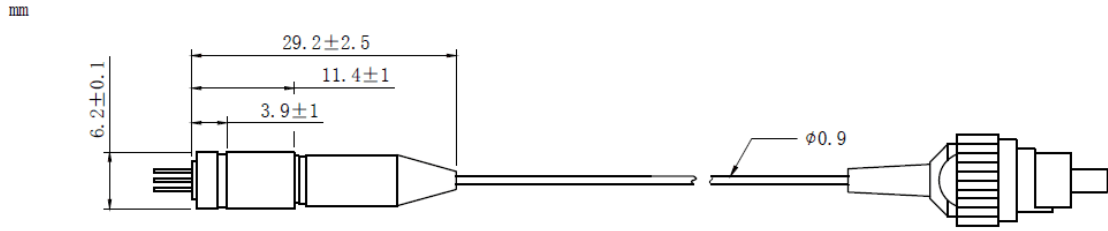
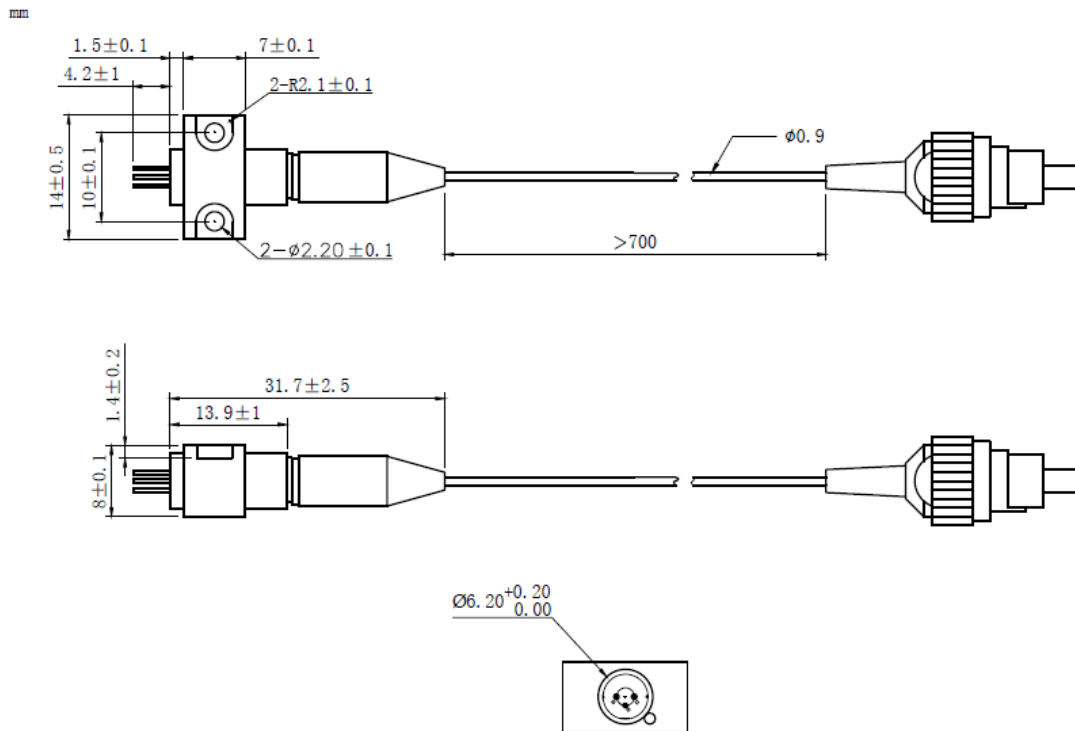
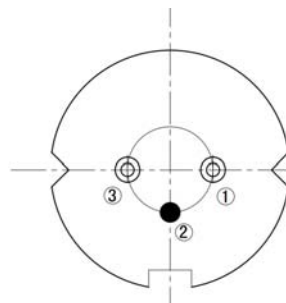
WSLP-830-050m-9-PD

Wavespectrum Laser Group

www.wavespectrum-laser.com

830nm Pigtailed Diode Laser		50mW/9um		Wavespectrum Laser Group	
PARAMETER	SYMBOL	VALUE	UNIT		
Reverse Voltage	V_r	2.0		V	
Operating Temperature	T_{op}	-10~+60		°C	
Storage Temperature	T_{stg}	-40~+85		°C	
Lead soldering temperature (10 sec.)	T_{is}	260		°C	
Features: <ul style="list-style-type: none"> 830nm With 9um Fiber Coaxial or B82 Package Built-in PD 					
Applications: <ul style="list-style-type: none"> Medical Laser Treatment Others 					
Specifications		WSLP-830-050m-9-PD			
	Min	Type		Max	
Center Wavelength@25°C	±5nm	830nm		±15nm	
Recommended Operating Temperature	25°C				
Output Power	----	50mW		----	
Fiber Type	SMF-28				
Fiber Core	9um				
Monitor Current	----	0.3mA		----	
PD Reverse Voltage	----	----		30V	
Fiber Connector	FC/SC/SMA905				
Fiber Length	----	80cm		100cm	
Threshold Current (Typ.)	----	25mA		55mA	
Operating Current (Typ.)	----	180mA		200mA	
Operating Voltage	----	2.3V		2.8V	
Package Style	Coaxial or B82				
PD	Built-in				



Coaxial Package View: (Part Number: WSLP-830-050m-9-PD)

B82 Package View: (Part Number: WSLP-830-050m-9-B-PD)

PIN Bottom View:


1	LD(-)
2	LD(+)&PD(-)
3	PD(+)



Electrically shorten LD module and store in non-extreme conditions.
Suggest using the constant current power supply.

