
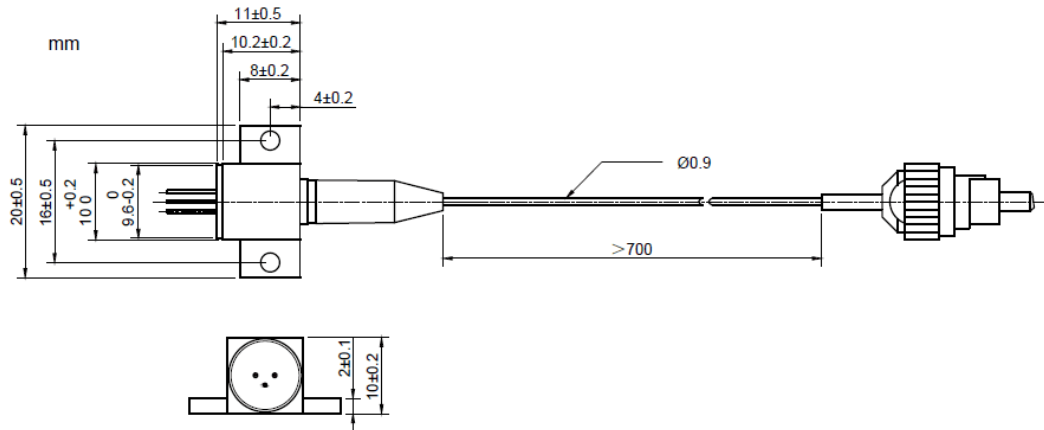
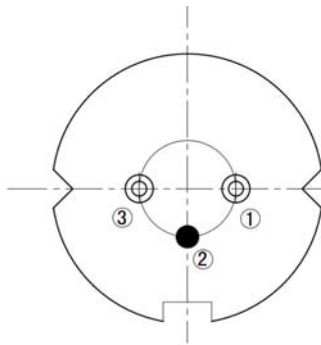


**808nm~810nm 30mW SM Pigtailed Laser diode with Coaxial Package | Built-in Photodiode**
**808nm 30mW SM Fiber Coupled LD with Single Mode Fiber (SM Fiber) | With PD**
**WSLP-808-030m-4-PD**
**Wavespectrum Laser Group**
**www.wavespectrum-laser.com**

808nm Pigtailed Diode Laser		30mW/SM Fiber		en.wavespectrum-laser.com.cn
PARAMETER	SYMBOL	VALUE	UNIT	
Reverse Voltage	$V_r$	2.0	V	
Operating Temperature	$T_{op}$	-10~+50	°C	
Storage Temperature	$T_{stg}$	-40~+85	°C	
Lead soldering temperature (10 sec.)	$T_{is}$	260	°C	
<b>Features:</b> <ul style="list-style-type: none"> <li>● 808nm</li> <li>● With SM Fiber</li> <li>● B15 Package</li> <li>● Built-in PD</li> </ul>				
<b>Applications:</b> <ul style="list-style-type: none"> <li>● Medical Laser Treatment</li> <li>● Others</li> </ul>				
<b>Specifications</b>	<b>WSLP-808-030m-4-PD</b>			
	Min	Type	Max	
Center Wavelength@25°C	±5nm	808nm	±10nm	
Recommended Operating Temperature	25°C			
Output Power	----	30mW	----	
Fiber Type	Single Mode Fiber			
Fiber Core	5um			
Monitor Current	----	0.1mA	----	
PD Reverse Voltage	----	----	30V	
Fiber Connector	FC/SC/SMA905			
Fiber Length	----	80cm	100cm	
Threshold Current (Typ.)	----	25mA	60mA	
Operating Current (Typ.)	----	120mA	140mA	
Operating Voltage	----	2.0V	2.4V	
Package Style	B15			
PD	Built-in			



**B15 Package View:**

**PIN Bottom View:**


1	LD(-)
2	LD(+)&PD(-)
3	PD(+)

Electrically shorten LD module and store in non-extreme conditions.  
 Suggest using the constant current power supply.

