


670nm 5mW SM Coaxial Pigtailed Laser Diode with 9um SMF| Built-in Photodiode| Heat-sink Optional

670nm~675nm 5mW SM Fiber Coupled LD with SMF-28 Fiber | With PD | 9um Fiber Core

WSLP-670-005m-9-PD

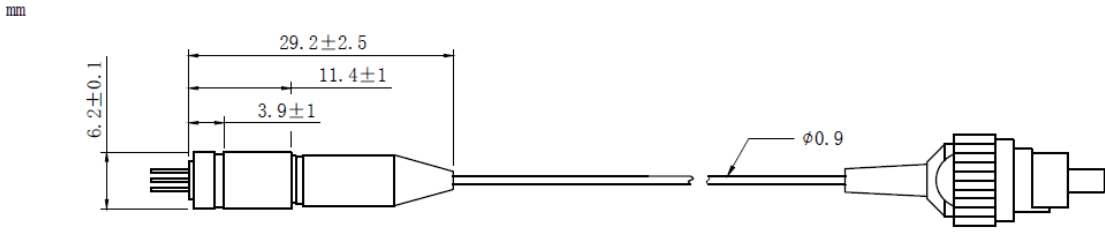
Wavespectrum Laser Group

www.wavespectrum-laser.com

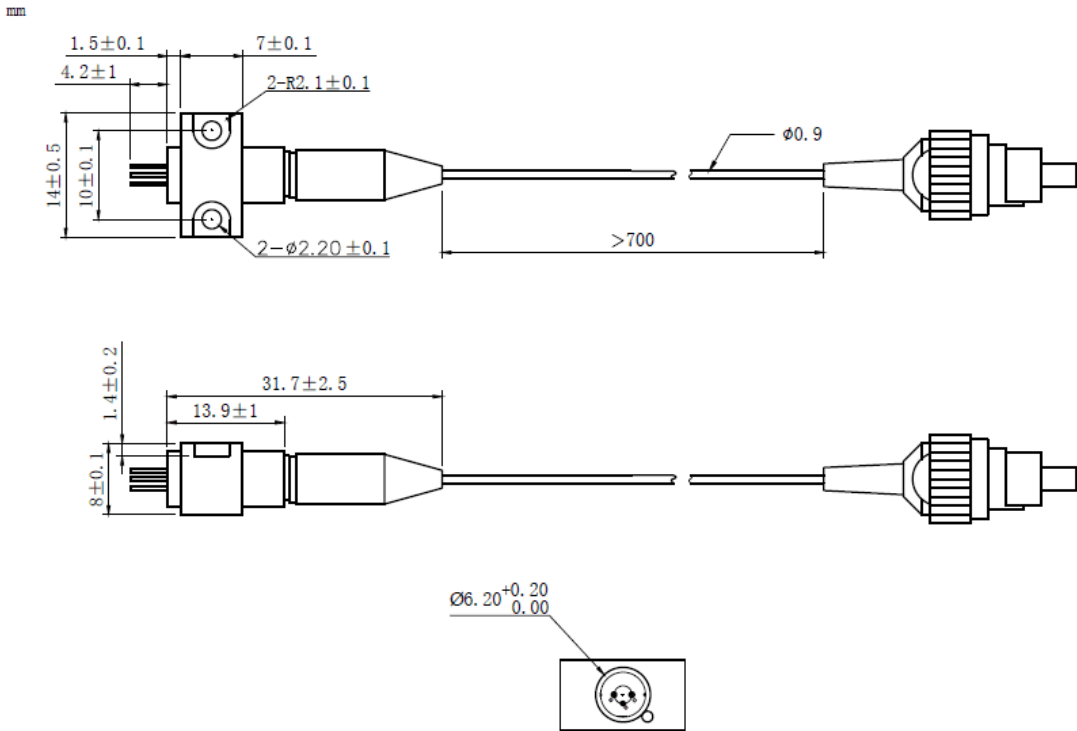
670nm Pigtailed Diode Laser 5mW/9um		en.wavespectrum-laser.com.cn	
PARAMETER	SYMBOL	VALUE	UNIT
Reverse Voltage	V_r	2.0	V
Operating Temperature	T_{op}	-10~+60	°C
Storage Temperature	T_{stg}	-40~+85	°C
Lead soldering temperature (10 sec.)	T_{is}	260	°C
Features: <ul style="list-style-type: none"> • 670nm • With 9um Fiber • Coaxial or B82 Package • Built-in PD 			
Applications: <ul style="list-style-type: none"> • Medical Laser Treatment • Others 			
Specifications	WSLP-670-005m-9-PD		
	Min	Type	Max
Center Wavelength@25°C	±5nm	670nm	±10nm
Recommended Operating Temperature	25°C		
Output Power	----	5mW	----
Fiber Type	SMF-28		
Fiber Core	9um		
Monitor Current	----	0.5mA	----
PD Reverse Voltage	----	----	30V
Fiber Connector	FC/SC/SMA905		
Fiber Length	----	80cm	100cm
Threshold Current (Typ.)	----	20mA	30mA
Operating Current (Typ.)	----	35mA	40mA
Operating Voltage	----	2.3V	2.8V
Package Style	Coaxial or B82		
PD	Built-in		



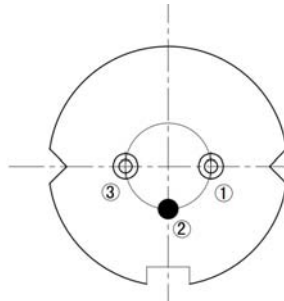
Coaxial Package View: (Part Number: WSLP-670-005m-9-PD)



B82 Package View: (Part Number: WSLP-670-005m-9-B-PD)



PIN Bottom View:



1	LD(-)
2	LD(+)&PD(-)
3	PD(+)



Electrically shorten LD module and store in non-extreme conditions.
Suggest using the constant current power supply.

