

650nm~660nm 80mW SM Coaxial Pigtailed Laser Diode with Polarization Maintaining Fiber (PM Fiber)

658nm 80mW High Power PM Fiber Coupled Diode Laser Module| Polarization Maintaining Fiber (PMF)

WSLP-650-080m-PM

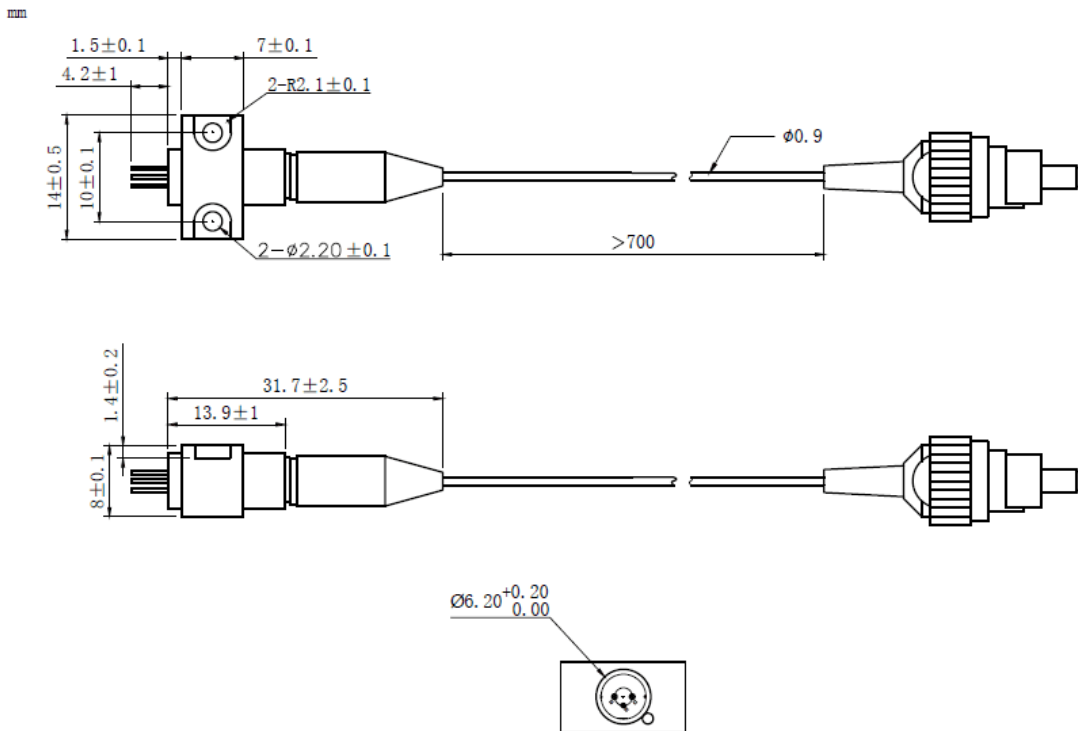
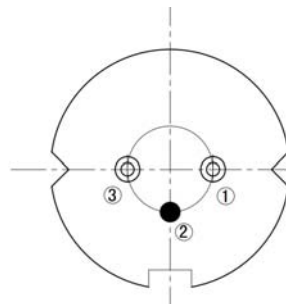
Wavespectrum Laser Group

www.wavespectrum-laser.com

658nm Pigtailed Diode Laser		80mW/PM Fiber		en.wavespectrum-laser.com.cn	
PARAMETER	SYMBOL	VALUE		UNIT	
Reverse Voltage	$V_r$	2.0		V	
Operating Temperature	$T_{op}$	-10~+60		°C	
Storage Temperature	$T_{stg}$	-40~+85		°C	
Lead soldering temperature (10 sec.)	$T_{is}$	260		°C	
<b>Features:</b> <ul style="list-style-type: none"> <li>650nm</li> <li>4um PM Fiber</li> <li>High Stability</li> <li>High Polarization Extinction Ratio</li> </ul>					
<b>Applications:</b> <ul style="list-style-type: none"> <li>Medical Laser Treatment</li> <li>Others</li> </ul>					
<b>Specifications</b>		<b>WSLP-650-080m-PM</b>			
	Min	Type	Max		
Center Wavelength@25°C	±5nm	658nm	±10nm		
Recommended Operating Temperature	25°C				
Output Power	----	80mW	----		
Fiber Type	Polarization Maintaining Fiber				
Fiber Core	4um				
Polarization Extinction Ratio	13dB	15dB			
Fiber Length	----	80cm	100cm		
Threshold Current	----	55mA	85mA		
Operating Current	----	220mA	240mA		
Operating Voltage	----	2.8V	3.5V		
Fiber Connector	FC/APC				
Package Style	Coaxial or B82				
High Polarization Extinction Ratio (PER) Version Laser Module is also available, please contact us.					



**Coaxial Package View: (Part Number: WSLP-650-080m-PM)**

**B82 Package View: (Part Number: WSLP-650-080m-PM-B)**

**PIN Bottom View:**


<b>1</b>	<b>LD(+)</b>
<b>2</b>	<b>LD(-)</b>
<b>3</b>	<b>NC</b>



Electrically shorten LD module and store in non-extreme conditions.  
Suggest using the constant current power supply.

