
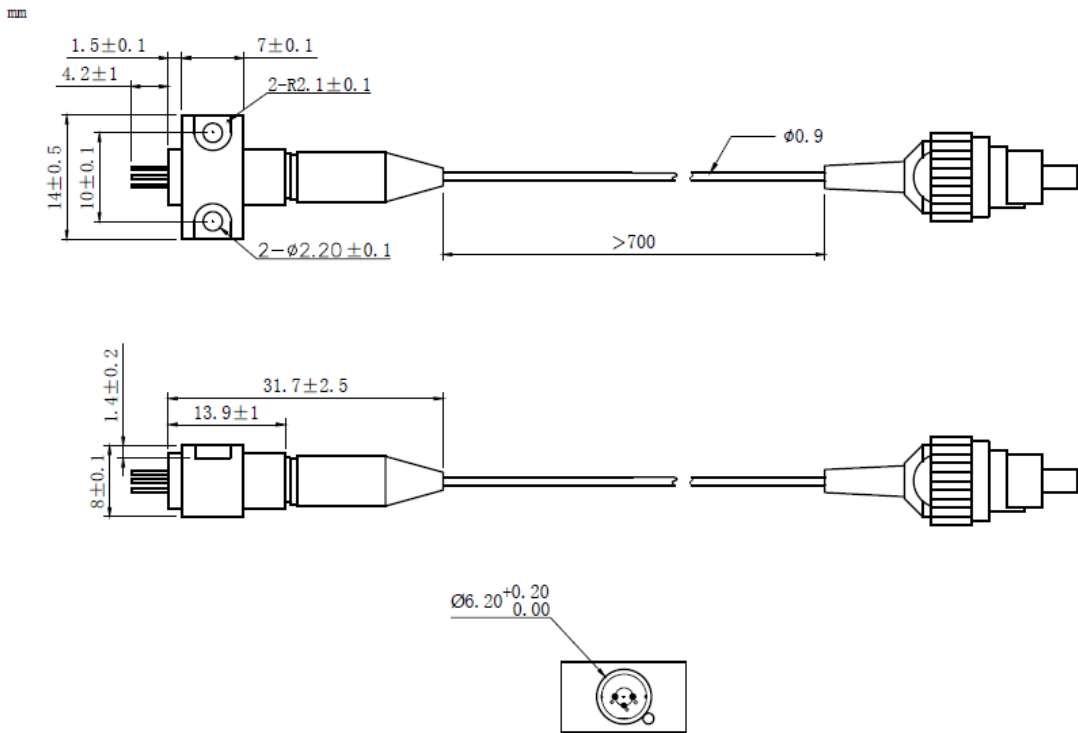
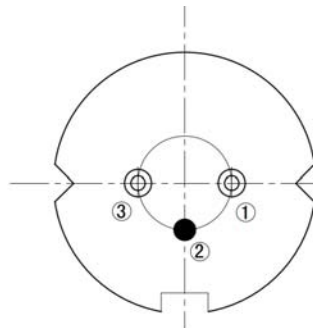


**635nm 20mW PM Fiber Coupled Laser Diode with Coaxial Package | Red Laser Diode**  
**635nm~638nm 20mW Coaxial Pigtailed LD with Polarization Maintaining Fiber (SM Fiber)**  
 WSLP-635-020m-PM      Wavespectrum Laser Group      www.wavespectrum-laser.com

635nm Pigtailed Diode Laser		20mW/PM Fiber		en.wavespectrum-laser.com.cn	
PARAMETER	SYMBOL	VALUE	UNIT		
Reverse Voltage	$V_r$	2.0		V	
Operating Temperature	$T_{op}$	-10~+60		°C	
Storage Temperature	$T_{stg}$	-40~+85		°C	
Lead soldering temperature (10 sec.)	$T_{is}$	260		°C	
<b>Features:</b> <ul style="list-style-type: none"> <li>● 635nm</li> <li>● PM Fiber</li> <li>● High Reliability</li> <li>● High Polarization Extinction Ratio</li> </ul> <b>Applications:</b> <ul style="list-style-type: none"> <li>● Biological Instruments</li> <li>● Analytical Equipment</li> <li>● Others</li> </ul>					
<b>Specifications</b>	<b>WSLP-635-020m-PM</b>				
	Min	Type	Max		
Center Wavelength@25°C	630nm	638nm	645nm		
Recommended work Temperature	25°C				
Output Power	----	20mW	----		
Fiber Type	Polarization Maintaining Fiber				
Fiber Core	4um				
Polarization Extinction Ratio	13dB	15dB	----		
Monitor Current	----	----	----		
Fiber Connector	FC/APC				
Fiber Length	----	80cm	100cm		
Threshold Current	----	50mA	75mA		
Operating Current	----	180mA	200mA		
Operating Voltage	----	2.8V	3.2V		
Package Style	Coaxial or B82				



**Coaxial Package View: (Part Number: WSLP-635-020m-PM)**

**B82 Package View: (Part Number: WSLP-635-020m-PM-B)**

**PIN Bottom View:**


<b>1</b>	<b>LD(+)</b>
<b>2</b>	<b>GND</b>
<b>3</b>	<b>LD(-)</b>



Electrically shorten LD module and store in non-extreme conditions.  
Suggest using the constant current power supply.

