
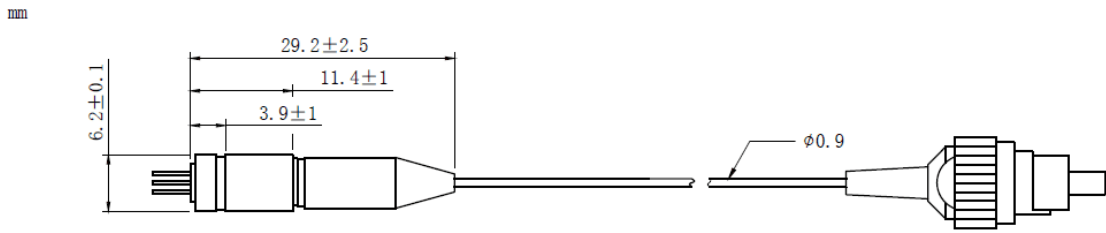
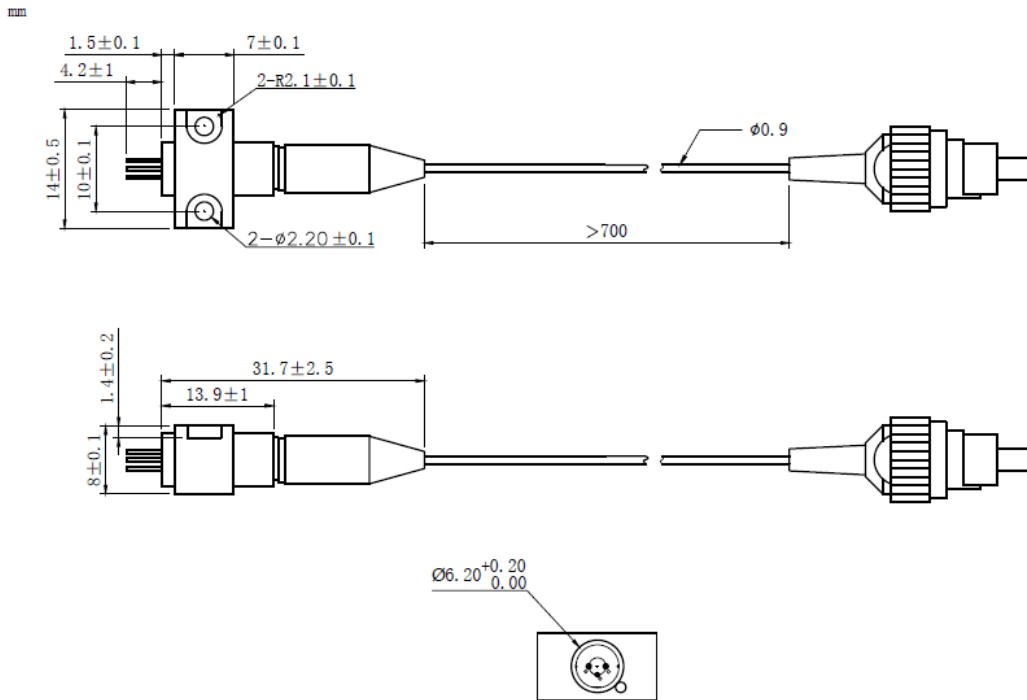
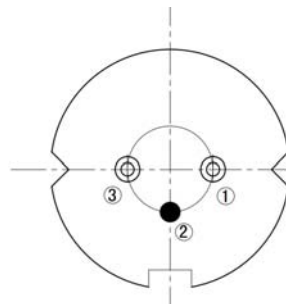


405nm~410nm 100mW High Power Pigtailed Laser Diode Module With Single Mode Fiber
405nm 100mW High Stability Single Mode Fiber Coupled Diode Laser Module | Violet LD Module
WSLP-405-100m-4 **Wavespectrum Laser Group** **www.wavespectrum-laser.com**

405nm Pigtailed Diode Laser		100mW/SMF		en.wavespectrum-laser.com.cn	
PARAMETER	SYMBOL	VALUE		UNIT	
Reverse Voltage	V_r	2.0		V	
Operating Temperature	T_{op}	-10~+70		°C	
Storage Temperature	T_{stg}	-40~+85		°C	
Lead soldering temperature (10 sec.)	T_{is}	260		°C	
Features: <ul style="list-style-type: none"> ● 405nm ● 3um SM Fiber ● Coaxial or B82 Package 					
Applications: <ul style="list-style-type: none"> ● Medical Laser Treatment ● Printing ● Others 					
Specifications	WSLP-405-100m-4				
	Min	Type	Max		
Center Wavelength@25°C	$\pm 5nm$	405nm	$\pm 10nm$		
Spectral Width (FWHM)	----	2.0nm	----		
Output Power	----	100mW	----		
Fiber Type	UV Single Mode Fiber				
Fiber Core	3um				
Recommend Operating Temperature	25°C				
Monitor Current	----	----	----		
PD Reverse Voltage	----	----	----		
Fiber Connector	FC/SC/SMA905				
Fiber Length	----	80cm	100cm		
Threshold Current	----	35mA	70mA		
Operating Current	----	170mA	190mA		
Operating Voltage	----	5.2V	6.0V		
Package Style	Coaxial or B82				



Coaxial Package View: (Part Number: WSLP-405-100m-4)

B82 Package View: (Part Number: WSLP-405-100m-4-B)

PIN Bottom View:


1	LD(+)
2	GND
3	LD(-)



Electrically shorten LD module and store in non-extreme conditions.
Suggest using the constant current power supply.

