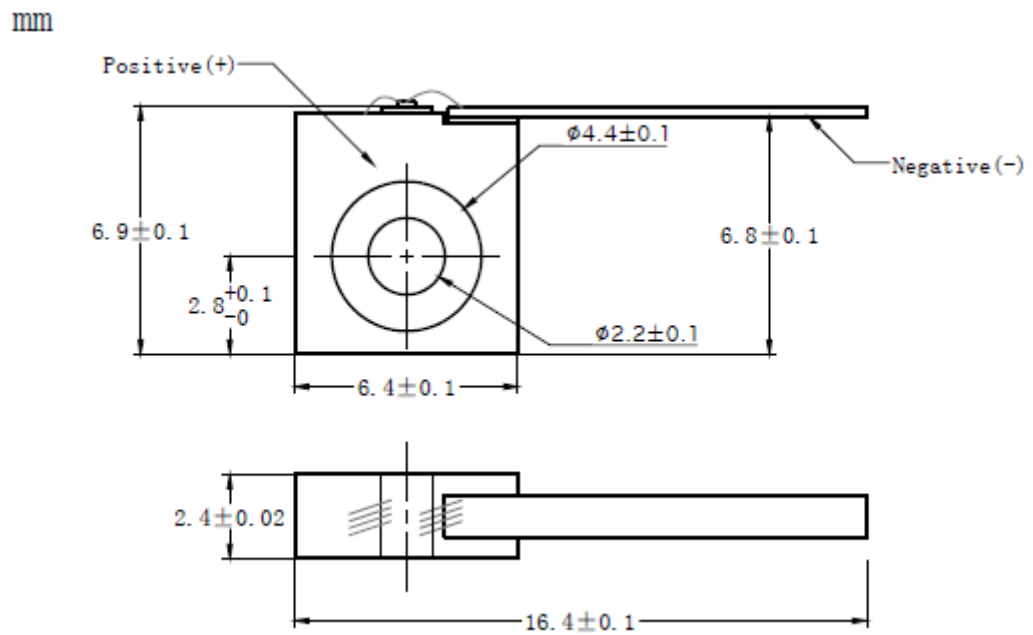


1910nm~1920nm~1940nm 700mW Laser Diode with C-mount Package | FAC Lens Optional
1920nm 700mW Output Power | Hermetic Package Optional | Square or Line Beam Optional
 WSLD-1920-700m-C Wavespectrum Laser Group www.wavespectrum-laser.com

| 1920nm Laser Diode 700mW/C-mount | | Wavespectrum Laser Group | | |
|---|-----------|--|--------------------------------------|-------|
| PARAMETER | SYMBOL | VALUE | UNIT | |
| Reverse Voltage | V_r | 2.0 | V | |
| Operating Temperature | T_{op} | +10 ~ +30 | °C | |
| Storage Temperature | T_{stg} | -20 ~ +80 | °C | |
| Lead soldering temperature (10 sec.) | T_{is} | 260 | °C | |
| Features: <ul style="list-style-type: none"> 1920nm 700mW Output Power C-mount Package FAC Lens Optional (Square or Line Beam) | |  | | |
| Applications: <ul style="list-style-type: none"> Medical Laser Treatment Others | | | | |
| Specifications | | WSLD-1920-700m-C | | |
| | | Min | Type | Max |
| Center Wavelength@25°C | | ±10nm | 1920nm | ±30nm |
| Spectral Width (FWHM) | | ---- | ---- | 20nm |
| Output Power | | ---- | 700mW | ---- |
| Recommended Operating Temperature | | 25°C | | |
| Beam Divergence | | ---- | 12° _⊥ x 30° _{//} | ---- |
| Temperature Coefficient of Wavelength | | ---- | 0.75nm / °C | ---- |
| Slope Efficiency | | ---- | 0.2W/A | ---- |
| Threshold Current (Typ.) | | ---- | 0.7A | 1.0A |
| Operating Current (Typ.) | | ---- | 4.2A | 4.5A |
| Operating Voltage | | ---- | 1.1V | 1.4V |
| Package Style | | C-mount | | |



C-mount Package View



Electrically shorten LD module and store in non-extreme conditions.
 Suggest using the constant current power supply.

