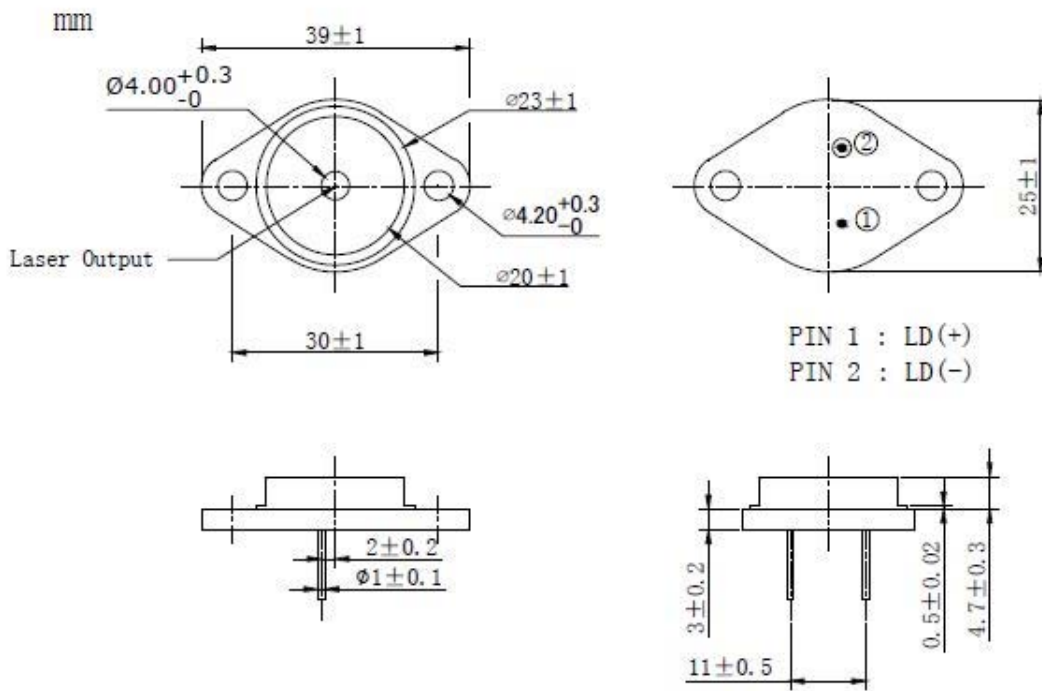


1910nm~1920nm 700mW Laser Diode with TO3 Package | FAC Lens Optional | Hermetic Package
1920nm~1930nm~1940nm| 700mW Output Power | Square or Line Beam Optional
 WSLD-1920-700m-3 Wavespectrum Laser Group www.wavespectrum-laser.com

1920nm Laser Diode		700mW/TO3		Wavespectrum Laser Group	
PARAMETER	SYMBOL	VALUE		UNIT	
Reverse Voltage	V_r	2.0		V	
Operating Temperature	T_{op}	+10~+30		°C	
Storage Temperature	T_{stg}	-20~+80		°C	
Lead soldering temperature (10 sec.)	T_{is}	260		°C	
Features: <ul style="list-style-type: none"> ● 1920nm ● 700mW Power ● TO3 Package ● FAC Lens Optional (Square or Line Beam) 					
Applications: <ul style="list-style-type: none"> ● Medical Laser Treatment ● Others 					
Specifications		WSLD-1920-700m-3			
		Min	Type	Max	
Center Wavelength@25°C		±10nm	1920nm	±30nm	
Spectral Width (FWHM)		----	----	20nm	
Output Power		----	700mW	----	
Recommended Operating Temperature		25°C			
Beam Divergence		----	12° _⊥ x 30° _{//}	----	
Temperature Coefficient of Wavelength		----	0.75nm / °C	----	
Slope Efficiency		----	0.2W/A	----	
Threshold Current (Typ.)		----	0.7A	1.0A	
Operating Current (Typ.)		----	4.2A	4.5A	
Operating Voltage		----	1.1V	1.4V	
Package Style		TO3			



T03 Package


Electrically shorten LD module and store in non-extreme conditions.
 Suggest using the constant current power supply.



Wavespectrum Laser Group
www.wavespectrum-laser.com.cn
sales@wavespectrum-laser.com.cn

