

**1900nm~1905nm 700mW Laser Diode with H-mount Package | FAC Optional | Hermetic Package  
 1880nm~1900nm~1920nm| Window Package | Square or Line Beam Optional**

WSLD-1900-700m-H

Wavespectrum Laser Group

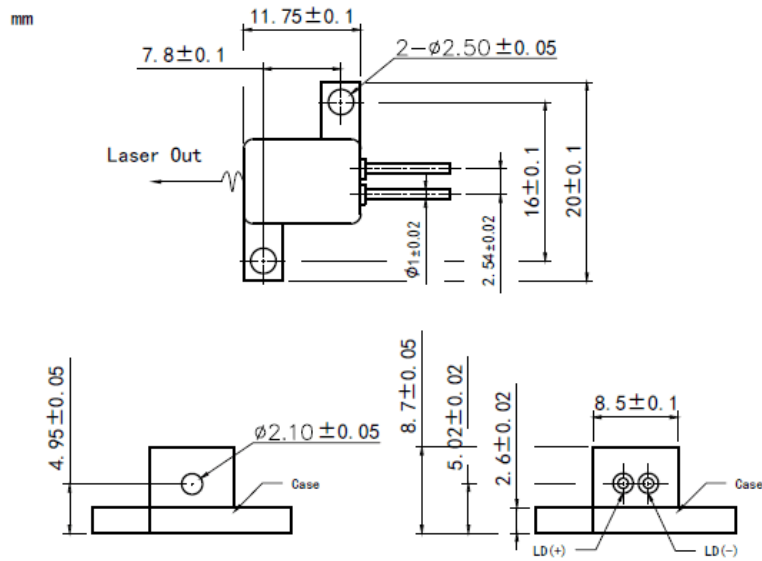
[www.wavespectrum-laser.com](http://www.wavespectrum-laser.com)

| 1900nm Laser Diode  |           | 700mW/H-mount  |                                      | Wavespectrum Laser Group |  |
|---|-----------|--|--------------------------------------|--------------------------|--|
| PARAMETER   | SYMBOL    | VALUE  |                                      | UNIT                     |  |
| Reverse Voltage   | $V_r$     | 2.0  |                                      | V                        |  |
| Operating Temperature   | $T_{op}$  | +10~+30  |                                      | °C                       |  |
| Storage Temperature   | $T_{stg}$ | -20~+80  |                                      | °C                       |  |
| Lead soldering temperature (10 sec.)  | $T_{is}$  | 260  |                                      | °C                       |  |
| <b>Features:</b> <ul style="list-style-type: none"> <li>1900nm</li> <li>700mW Power</li> <li>H-mount Package (Window Package)</li> <li>FAC Lens Optional (Square or Line Beam)</li> </ul> |           |  |                                      |                          |  |
| <b>Applications:</b> <ul style="list-style-type: none"> <li>Medical Laser Treatment</li> <li>Others</li> </ul>  |           |  |                                      |                          |  |
| <b>Specifications</b>   |           | <b>WSLD-1900-700m-H</b>  |                                      |                          |  |
|   |           | Min  | Type                                 | Max                      |  |
| Center Wavelength@25°C  |           | 1870nm   | 1900nm                               | 1930nm                   |  |
| Spectral Width (FWHM)   |           | ----   | ----                                 | 20nm                     |  |
| Output Power  |           | ----   | 700mW                                | ----                     |  |
| Recommended Operating Temperature   |           | 25°C   |                                      |                          |  |
| Beam Divergence   |           | ----   | 12° <sub>⊥</sub> x 30° <sub>//</sub> | ----                     |  |
| Temperature Coefficient of Wavelength   |           | ----   | 0.75nm / °C                          | ----                     |  |
| Slope Efficiency  |           | ----   | 0.2W/A                               | ----                     |  |
| Threshold Current (Typ.)  |           | ----   | 0.7A                                 | 1.0A                     |  |
| Operating Current (Typ.)  |           | ----   | 4.2A                                 | 4.5A                     |  |
| Operating Voltage   |           | ----   | 1.1V                                 | 1.4V                     |  |
| Package Style   |           | H-mount  |                                      |                          |  |

Wavespectrum Laser Group

[www.wavespectrum-laser.com.cn](http://www.wavespectrum-laser.com.cn)
[sales@wavespectrum-laser.com.cn](mailto:sales@wavespectrum-laser.com.cn)


## H-mount Package



Electrically shorten LD module and store in non-extreme conditions.  
 Suggest using the constant current power supply.

