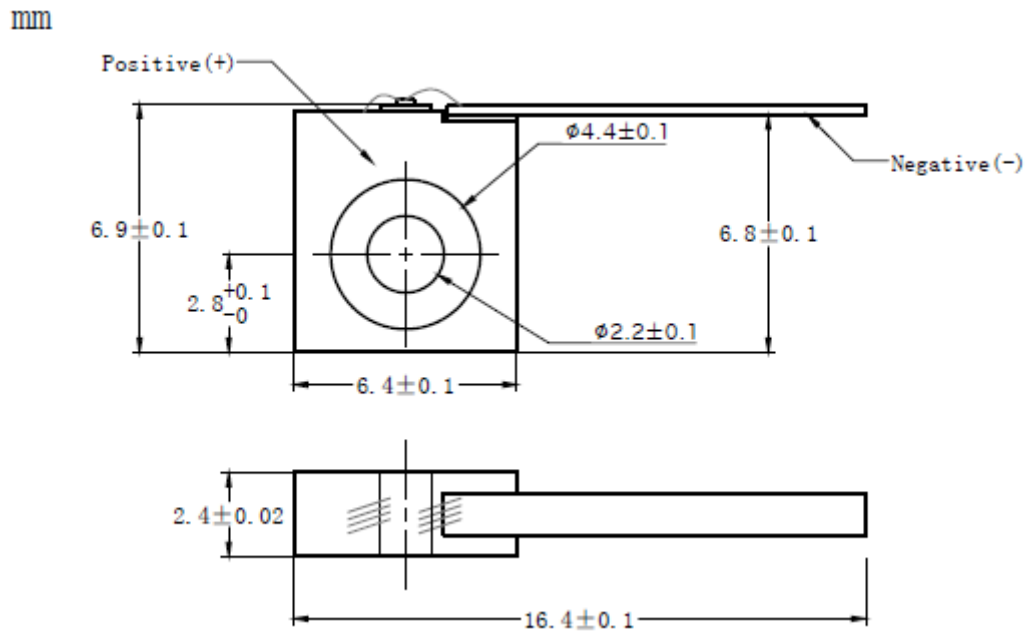


**1900nm~1910nm 700mW Laser Diode with C-mount Package | FAC Lens Optional |  
 1900nm 700mW Output Power | Hermetic Package Optional | Square or Line Beam Optional  
 WSLD-1900-700m-C                      Wavespectrum Laser Group                      www.wavespectrum-laser.com**

| 1900nm Laser Diode    700mW/C-mount   |           | Wavespectrum Laser Group   |                                     |        |
|---|-----------|--|-------------------------------------|--------|
| PARAMETER   | SYMBOL    | VALUE  | UNIT                                |        |
| Reverse Voltage   | $V_r$     | 2.0  | V                                   |        |
| Operating Temperature   | $T_{op}$  | +10 ~ +30  | °C                                  |        |
| Storage Temperature   | $T_{stg}$ | -20 ~ +80  | °C                                  |        |
| Lead soldering temperature (10 sec.)  | $T_{is}$  | 260  | °C                                  |        |
| <b>Features:</b> <ul style="list-style-type: none"> <li>● 1900nm</li> <li>● 700mW Output Power</li> <li>● C-mount Package</li> <li>● FAC Lens Optional (Square or Line Beam)</li> </ul> |           |  |                                     |        |
| <b>Applications:</b> <ul style="list-style-type: none"> <li>● Medical Laser Treatment</li> <li>● Others</li> </ul>  |           |  |                                     |        |
| <b>Specifications</b>   |           | <b>WSLD-1900-700m-C</b>  |                                     |        |
|   |           | Min  | Type                                | Max    |
| Center Wavelength@25°C  |           | 1870nm   | 1900nm                              | 1930nm |
| Spectral Width (FWHM)   |           | ----   | ----                                | 20nm   |
| Output Power  |           | ----   | 700mW                               | ----   |
| Recommended Operating Temperature   |           | 25°C   |                                     |        |
| Beam Divergence   |           | ----   | $12^\circ \perp \times 30^\circ //$ | ----   |
| Temperature Coefficient of Wavelength   |           | ----   | 0.75nm / °C                         | ----   |
| Slope Efficiency  |           | ----   | 0.2W/A                              | ----   |
| Threshold Current (Typ.)  |           | ----   | 0.7A                                | 1.0A   |
| Operating Current (Typ.)  |           | ----   | 4.2A                                | 4.5A   |
| Operating Voltage   |           | ----   | 1.1V                                | 1.4V   |
| Package Style   |           | C-mount  |                                     |        |



### C-mount Package View



Electrically shorten LD module and store in non-extreme conditions.  
 Suggest using the constant current power supply.

