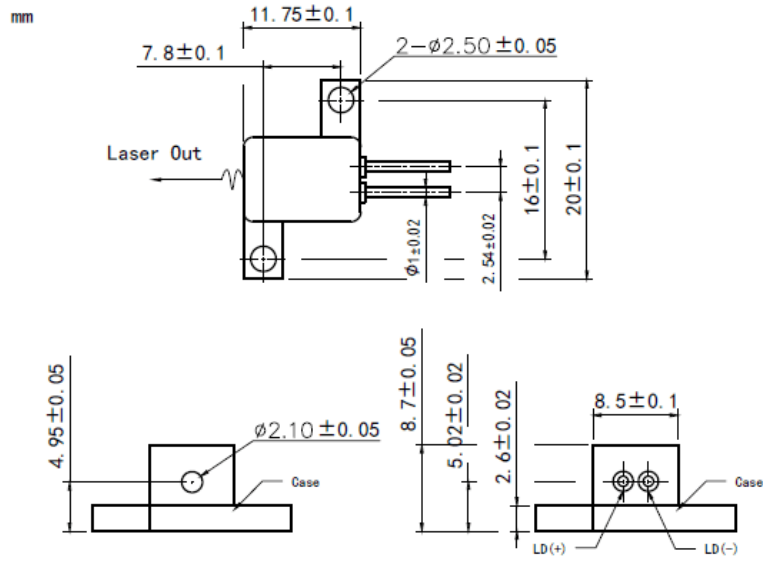


**1720nm~1725nm 1W Laser Diode | H-mount Package | FAC Lens Optional | Hermetic Package
 1710nm~1720nm| 1W Output Power |Window Package | Square or Line Beam Optional
 WSLD-1720-001-H Wavespectrum Laser Group www.wavespectrum-laser.com**

1720nm Laser Diode		1W/H-mount		Wavespectrum Laser Group	
PARAMETER	SYMBOL	VALUE	UNIT		
Reverse Voltage	V_r	2.0	V		
Operating Temperature	T_{op}	+10~+30	°C		
Storage Temperature	T_{stg}	-20~+80	°C		
Lead soldering temperature (10 sec.)	T_{is}	260	°C		
Features: <ul style="list-style-type: none"> ● 1720nm ● 1W Power ● H-mount Package (Window Package) ● FAC Lens Optional (Square or Line Beam) 					
Applications: <ul style="list-style-type: none"> ● Medical Laser Treatment ● Others 					
Specifications		WSLD-1720-001-H			
		Min	Type	Max	
Center Wavelength@25°C		±10nm	1720nm	±30nm	
Spectral Width (FWHM)		----	7.0nm	10.0nm	
Output Power		----	1W	----	
Emitter Area		----	85x1µm	----	
Beam Divergence (With FAC Lens)		----	10° _⊥ x 35° _{//}	----	
Temperature Coefficient of Wavelength		----	0.7nm / °C	----	
Slope Efficiency		0.5W/A	----	----	
Threshold Current (Typ.)		----	0.4A	0.7A	
Operating Current (Typ.)		----	4.0A	4.5A	
Operating Voltage		----	1.7V	1.9V	
Package Style		H-mount			
Recommended Operating Temperature		25°C			



H-mount Package



Electrically shorten LD module and store in non-extreme conditions.

Suggest using the constant current power supply.

