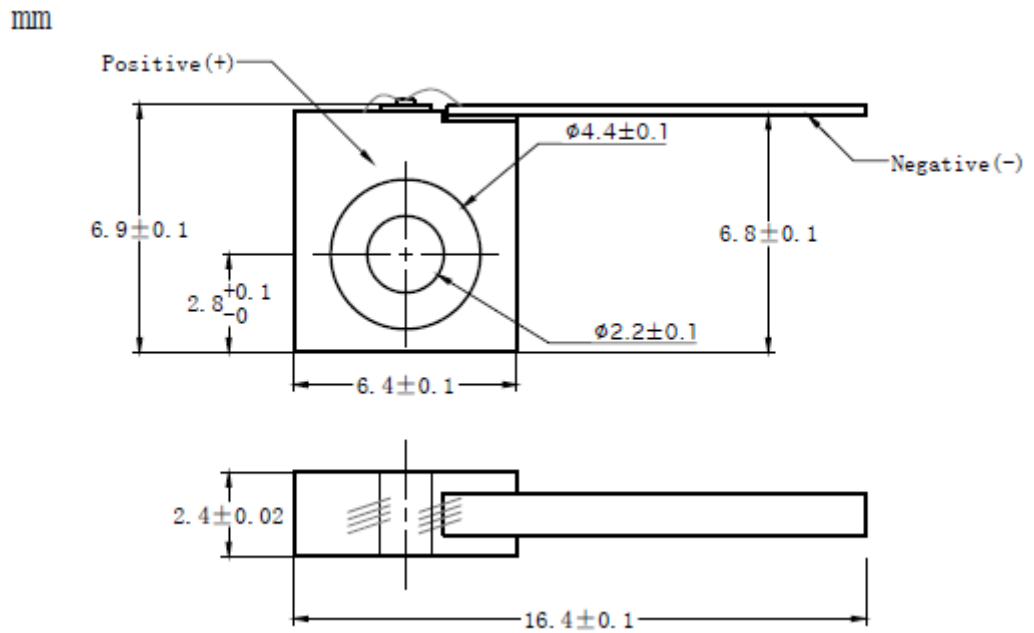


1710nm~1720nm 1W Laser Diode with C-mount Package | FAC Lens Optional | High Power LD
1720nm~1725nm 1W Output Power | Hermetic Package Optional | Square or Line Beam Optional
 WSLD-1720-001-C Wavespectrum Laser Group www.wavespectrum-laser.com

1720nm Laser Diode 1W/C-mount		Wavespectrum Laser Group		
PARAMETER	SYMBOL	VALUE	UNIT	
Reverse Voltage	V_r	2.0	V	
Operating Temperature	T_{op}	+10~+30	°C	
Storage Temperature	T_{stg}	-20~+80	°C	
Lead soldering temperature (10 sec.)	T_{is}	260	°C	
Features: <ul style="list-style-type: none"> ● 1720nm ● 1W Power ● C-mount Package ● FAC Lens Optional (Square or Line Beam) 				
Applications: <ul style="list-style-type: none"> ● Medical Laser Treatment ● Others 				
Specifications		WSLD-1720-001-C		
		Min	Type	Max
Center Wavelength@25°C		±10nm	1720nm	±30nm
Spectral Width (FWHM)		----	7.0nm	10.0nm
Output Power		----	1W	----
Emitter Area		----	85x1μm	----
Beam Divergence (With FAC Lens)		----	10° _⊥ x 35° _{//}	----
Temperature Coefficient of Wavelength		----	0.7nm / °C	----
Slope Efficiency		0.5W/A	----	----
Threshold Current (Typ.)		----	0.4A	0.7A
Operating Current (Typ.)		----	4.0A	4.5A
Operating Voltage		----	1.7V	1.9V
Package Style		C-mount		
Recommended Operating Temperature		25°C		



C-mount Package View



**Electrically shorten LD module and store in non-extreme conditions.
Suggest using the constant current power supply.**

